

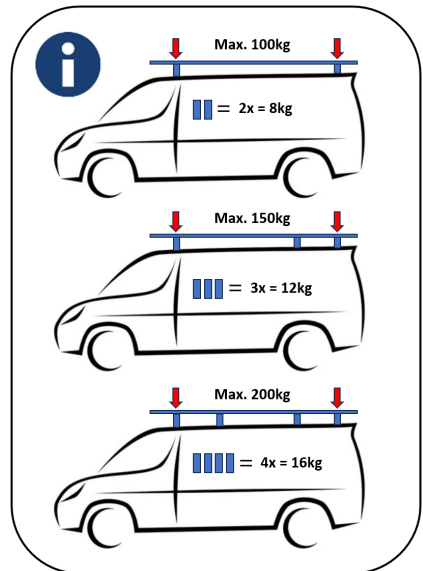
## Sortimo TopSystem


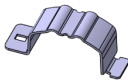
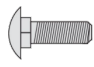

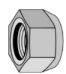
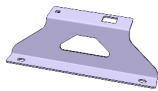
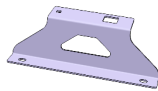
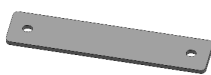




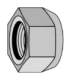

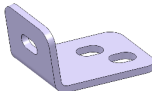

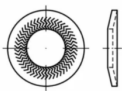

### Renault Master 2024-L2-H2







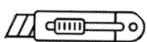
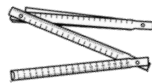






### Nissan Interstar 24

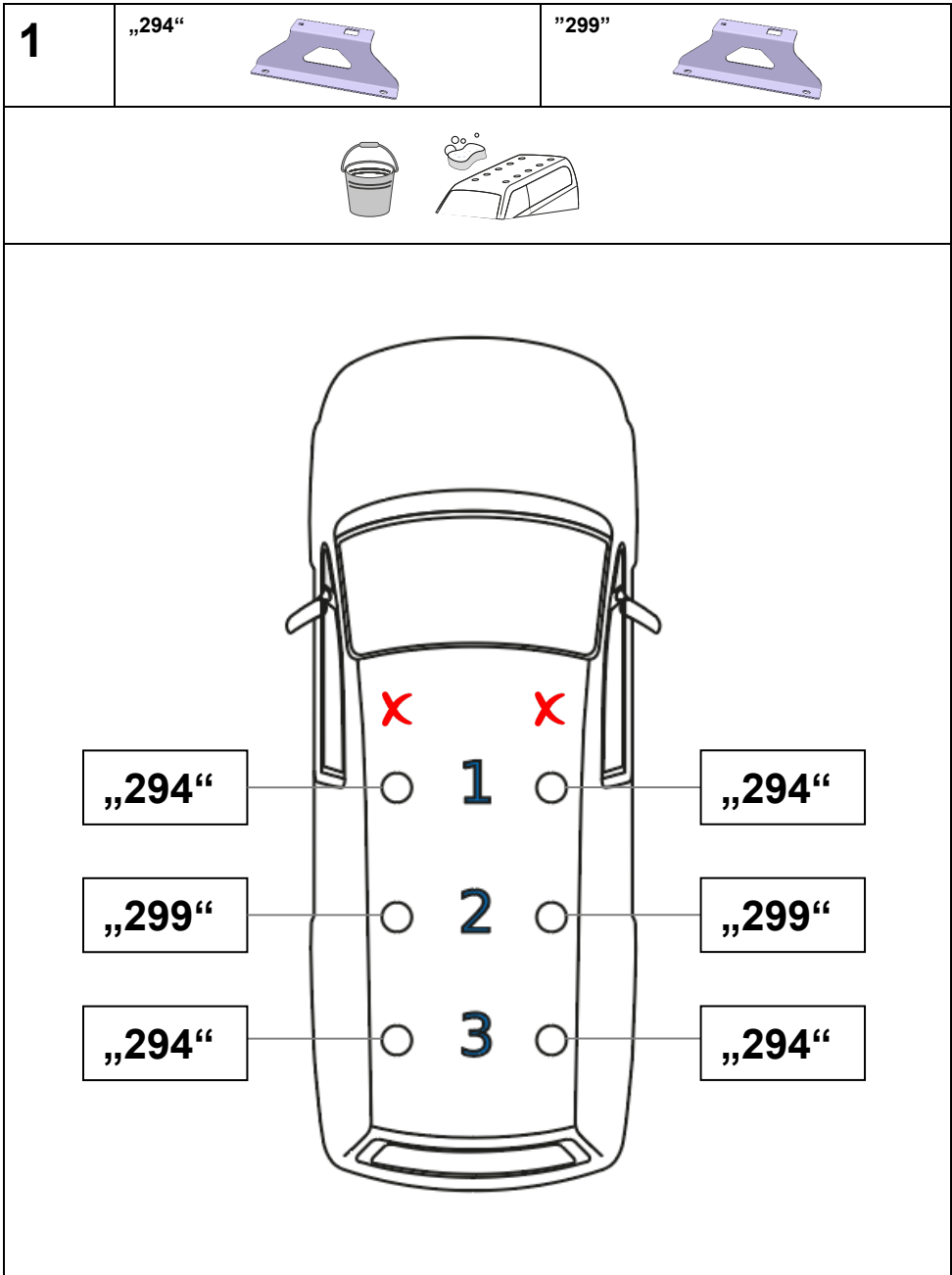
### 1000024280 / REMA24-H2-3P

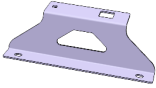
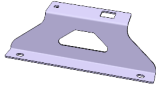


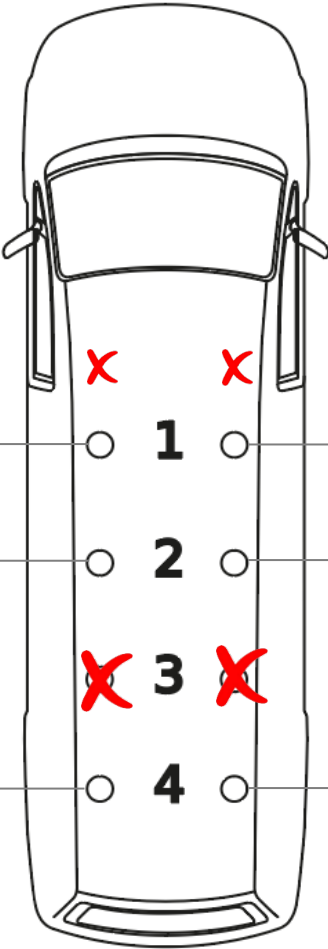
<b>de-DE</b> <b>Wichtig!</b> Lesen und verstehen Sie die beiliegende Sicherheitsbrochüre.
<b>en-EN</b> <b>Important!</b> Read and ensure that you have understood the enclosed safety brochure.
<b>da-DK</b> <b>Vigtigt!</b> Læs og forstå den vedlagte sikkerhedsbrochure.
<b>es-ES</b> <b>¡Importante!</b> Asegúrese de leer y entender el folleto de seguridad adjunto.
<b>fr-FR</b> <b>Important !</b> Lisez attentivement la brochure de sécurité ci-jointe pour bien la comprendre.
<b>no-NO</b> <b>Viktig!</b> Les og forstå den vedlagte sikkerhetsbrosjyren.
<b>nl-NL</b> <b>Belangrijk:</b> Zorg ervoor dat u de bijgevoegde veiligheidsbrochure hebt gelezen en begrepen.
<b>sv-SE</b> <b>Viktigt!</b> Se till att läsa och förstå den bifogade säkerhetsbroschyren.




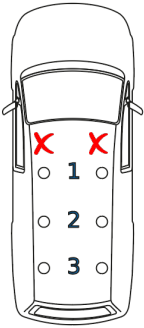

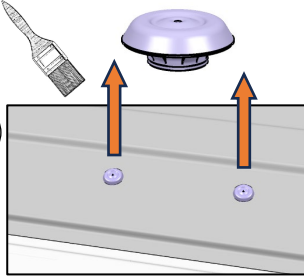
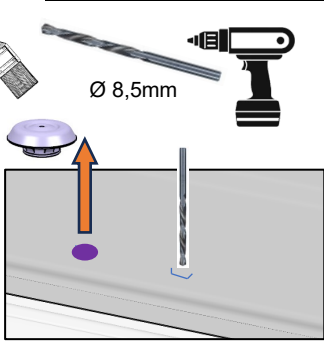
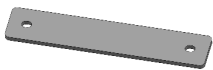

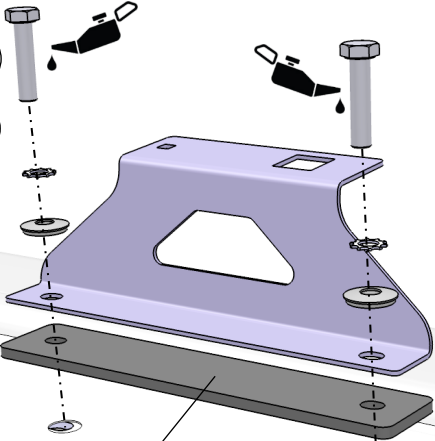


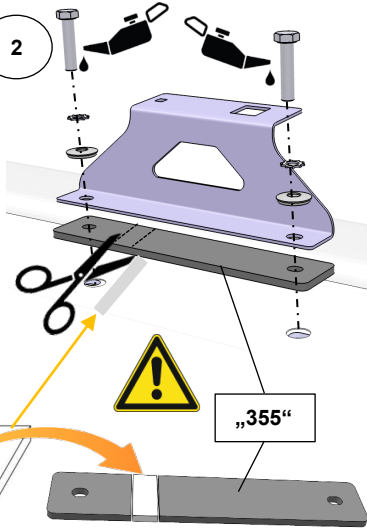





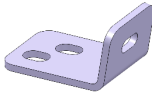
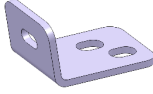

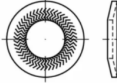

 <b>1000024280</b>		
6x 2000017725 	6x 6000003535 M6x16 	6x 6000003960 Ø 18 / Ø 6,4 
6x MT1016364 M6 	4x "294" 	2x "299" 
6x "355" 	12x 6000003644 M8x35 	12x 6000003942 Ø 8,4 
12x 6000011036 Ø 22 / Ø 8,4 	12x 6000014807 8,4x24x1,8 	12x MT1014475 M8 
6x "456" 	6x "457" 	12x 71015324 M6 
12x 6000016707 6,1x18,2x2,6 	12x MT1001112 M6x25 	



1.1	<p>„294“</p> 	<p>„299“</p> 
		
<p><b>Renault Master 2024-L3-H2</b></p> <p><b>(3P)</b></p>   <p>„294“</p> <p>„299“</p> <p>„294“</p> <p>„294“</p>		

<p><b>2</b></p>	<p>M8x35 12 Nm</p> 	<p>Ø 8,4</p> 	<p>Ø 22 / Ø 8,4</p> 
   		<p>„355“</p>   <p>Ø 8,5mm</p>	
 <p>1</p> <p>3</p> <p>„355“</p>  		 <p>2</p> <p>„355“</p> 	

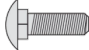

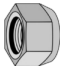

<p><b>2.1</b></p>	<p>8,4x24x1,8</p> 	<p>M8 12 Nm</p> 	<p>„456“</p> 
<p>„457“</p> 	<p>M6</p> 	<p>6,1x18,2x2,6</p> 	<p>M6x25 8 Nm</p> 


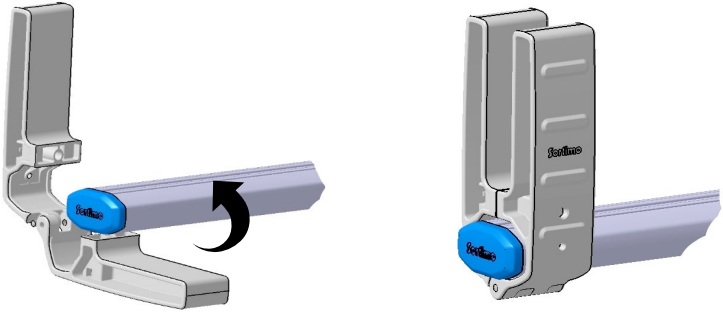


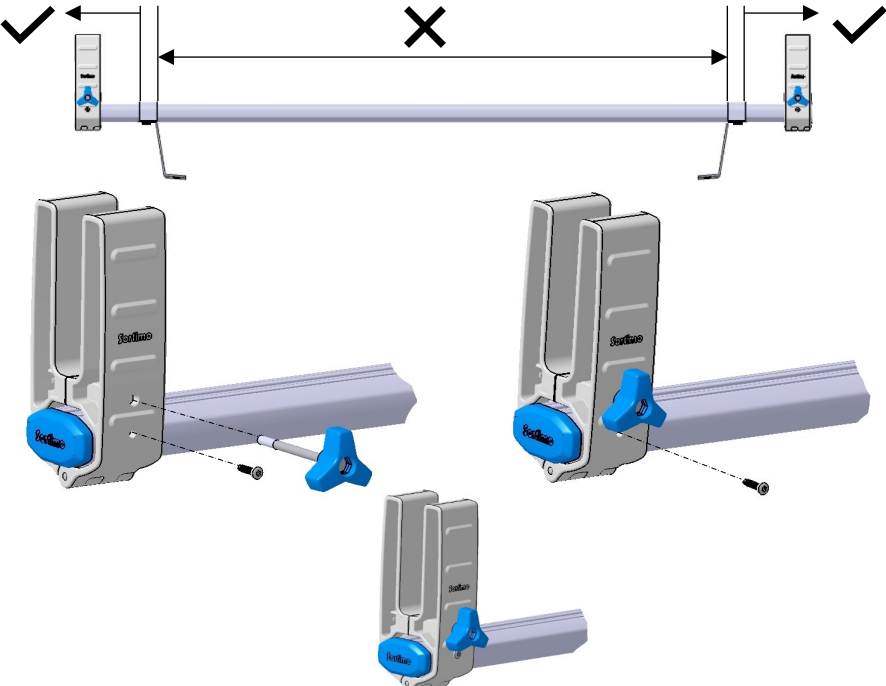
  

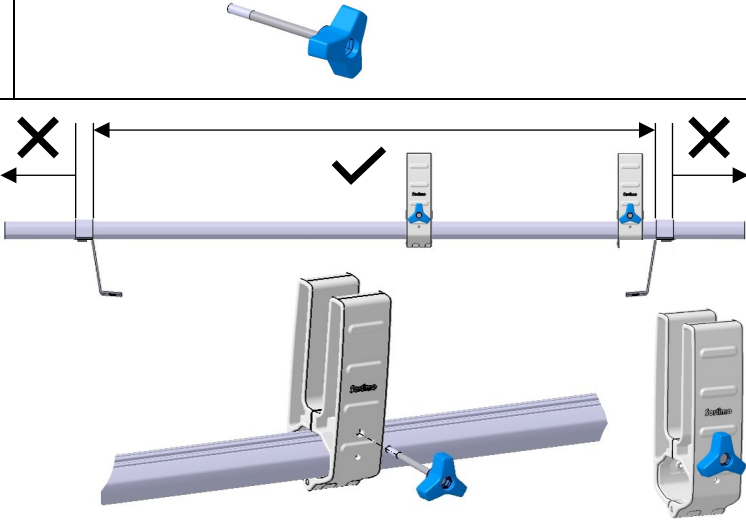
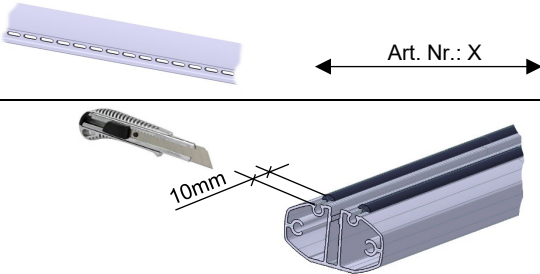
The diagram illustrates the assembly of two brackets, labeled „456“ and „457“, onto a metal structure. A yellow curved arrow indicates the direction of assembly. The components shown include:

- Bracket „456“ (left)
- Bracket „457“ (right)
- Washer (top right)
- Nut (middle right)
- Bolt (bottom left)
- Washer and spacer (bottom middle left)
- Two bushings (bottom middle right)

A detailed inset at the bottom shows the final assembly of the brackets on the metal structure.

<p><b>3</b></p>			
<p><b>3.1</b></p>	<p>M6x16</p> 	<p>Ø 18 / Ø 6,4</p> 	<p>M6 8 Nm</p> 
<p><b>4</b></p>	<p>6000003819</p> 		

<p><b>5</b></p>	<p>6000015343</p> 	
		
<p><b>5.1</b></p>	<p>M4,2x19 4 Nm</p> 	
		

<p><b>5.2</b></p>		
<p><b>6</b></p>		
<p><b>6.1</b></p>	<p>6000011073 M6x16 6 Nm</p> 