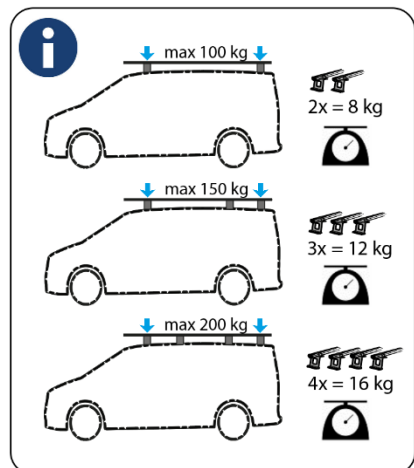
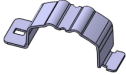



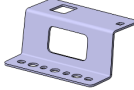
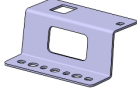
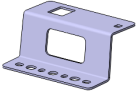
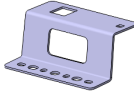
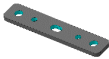
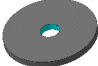









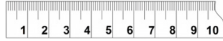




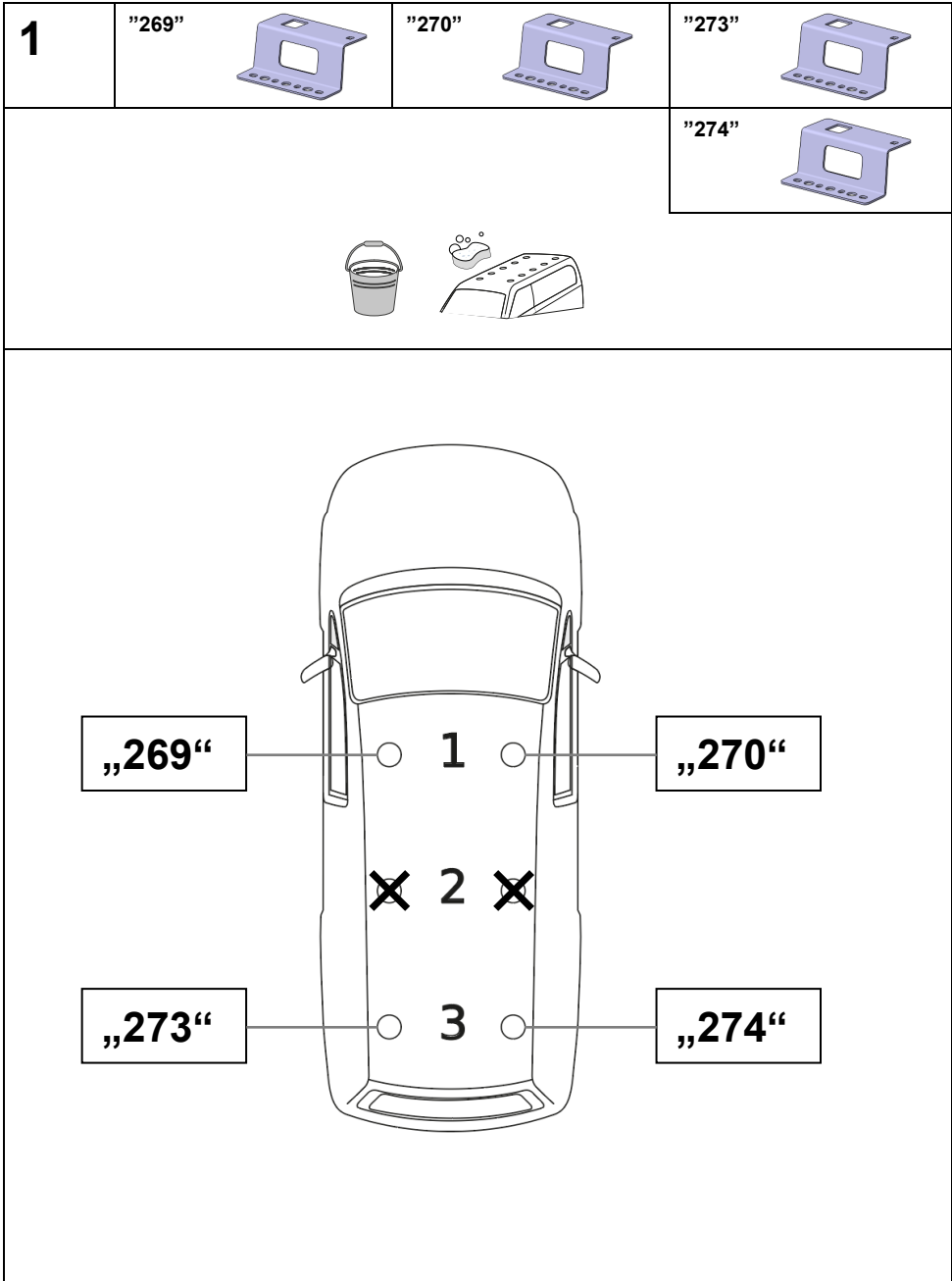
Sortimo TopSystem
Renault Express 2021
1000019649 / REEX21-2P




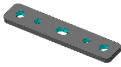
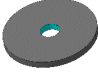
da-DK Vigtigt! Læs og forstå den vedlagte sikkerhedsbrochure.
de-DE Wichtig! Lesen und verstehen Sie die beiliegende Sicherheitsbrochure.
en-EN Important! Read and ensure that you have understood the enclosed safety brochure.
es-ES ¡Importante! Asegúrese de leer y entender el folleto de seguridad adjunto.
fr-FR Important ! Lisez attentivement la brochure de sécurité ci-jointe pour bien la comprendre.
no-NO Viktig! Les og forstå den vedlagte sikkerhetsbrosjyren.
nl-NL Belangrijk: Zorg ervoor dat u de bijgevoegde veiligheidsbrochure hebt gelezen en begrepen.
sv-SE Viktigt! Se till att läsa och förstå den bifogade säkerhetsbroschyren.

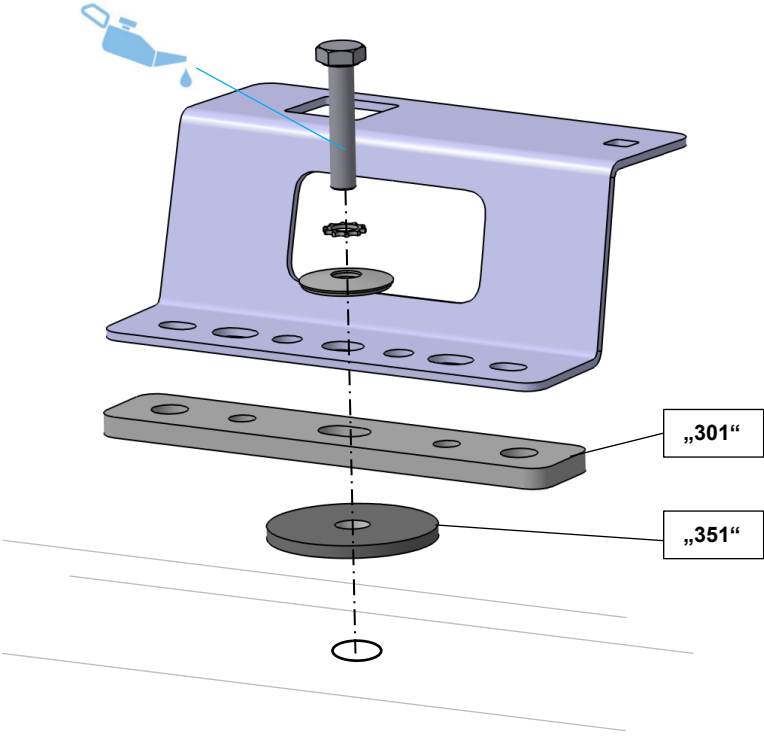


1000019649		
4x 2000017725 	4x 6000003535 M6x16 	4x 6000003960 Ø 18 / Ø 6,4 
4x MT1016364 M6 	1x 2000017495 "269" 	1x 2000017497 "270" 
1x 2000017499 "273" 	1x 2000017501 "274" 	4x 6000004018 "301" 
4x 6000004032 "351" 	4x 6000003956 M8x30 	4x 6000003942 Ø 8,4 
4x 6000011036 Ø 22 / Ø 8,4 		


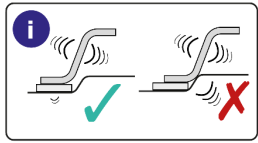
		
		
		
		








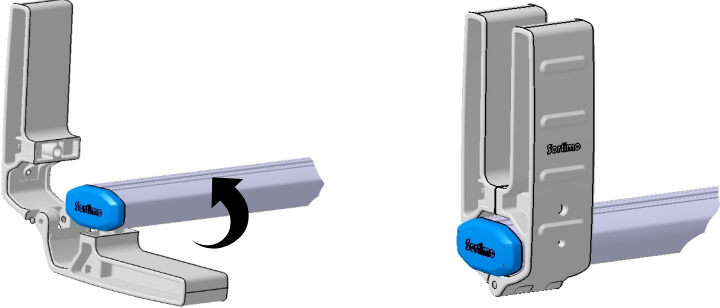


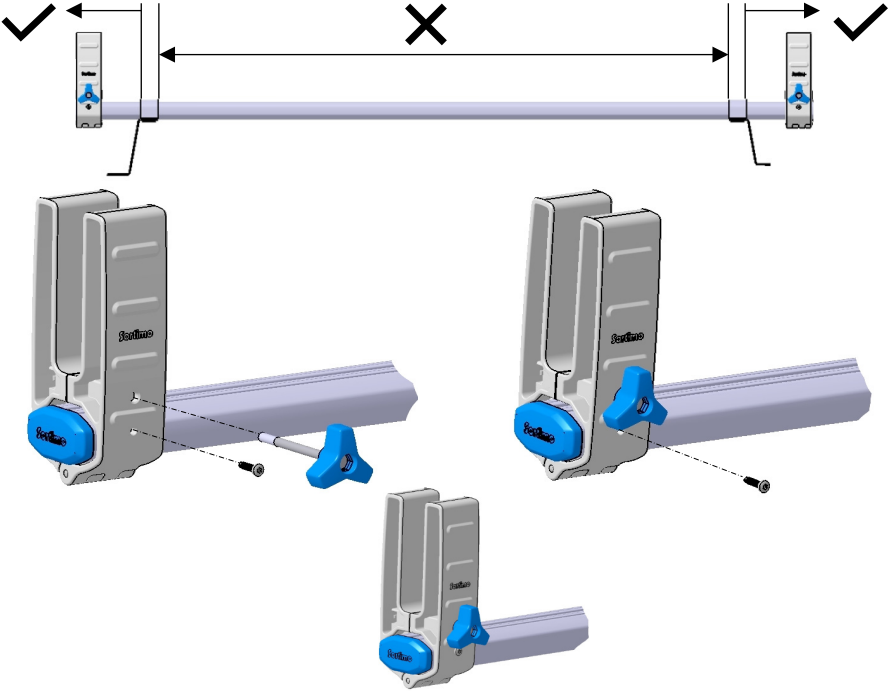
<p>2</p>	<p>M8x30 12 Nm</p> 	<p>Ø 8,4</p> 	<p>Ø 22 / Ø 8,4</p> 
<p>6000004018 "301"</p> 		<p>6000004032 "351"</p> 	

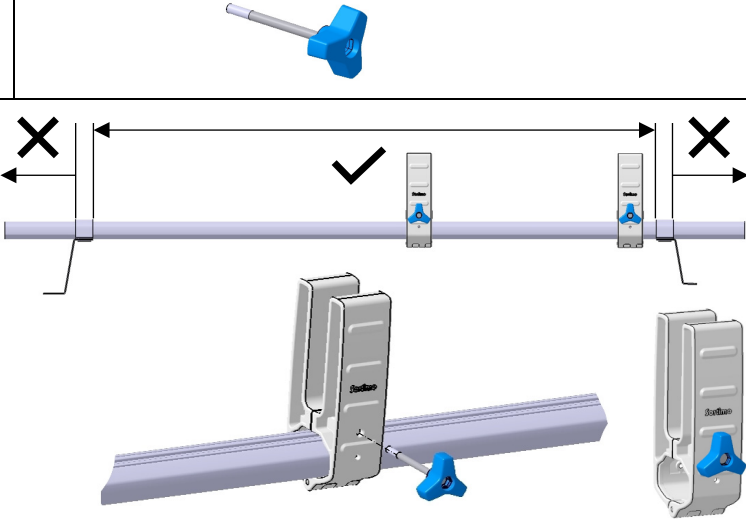
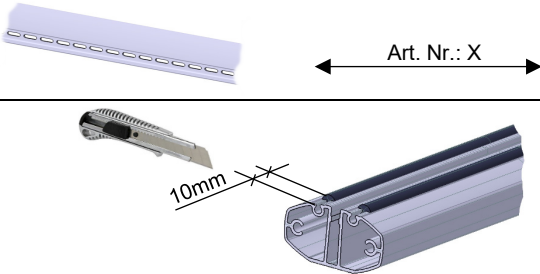

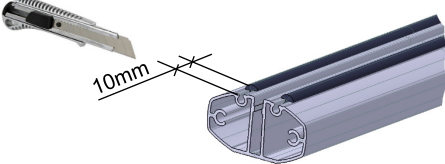
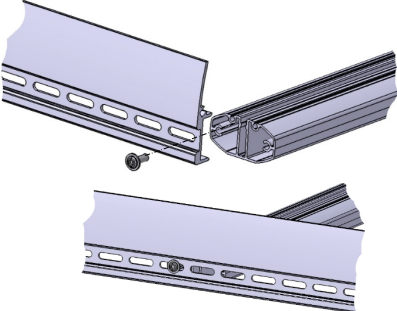
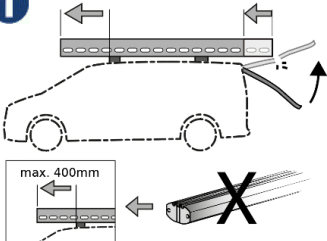


The diagram illustrates the assembly of a bolt into a bracket. A blue spray icon indicates that the bolt should be lubricated. The bolt is inserted into the bracket, and a gear and washer are added. The gear is placed on the bolt, and the washer is placed on top of the gear. The bracket is labeled "301" and the washer is labeled "351".

<p>3</p>					
<p>3.1</p>	<p>M6x16</p> 	<p>Ø 18 / Ø 6,4</p> 	<p>M6 8 Nm</p> 		
<p>4</p>	<p>6000003819</p> 				

<p>5</p>	<p>6000015343</p> 	
		
<p>5.1</p>	<p>M4,2x19 4 Nm</p> 	
		

<p>5.2</p>		
<p>6</p>		
<p>6.1</p>	<p>6000011073 M6x16 6 Nm</p> 	
 <div data-bbox="683 1149 1044 1425" style="border: 1px solid black; padding: 5px;"> <p>i max. 400mm</p>  </div>		