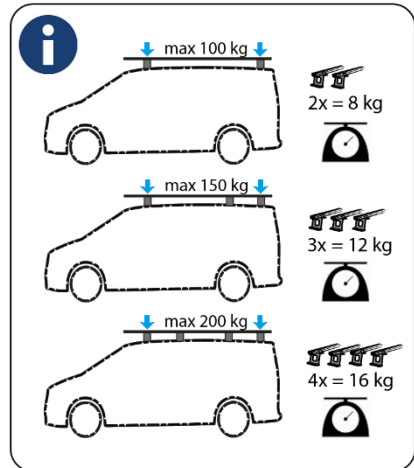


## Sortimo TopSystem







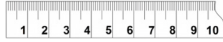


Nissan NV200 2010, Renault KANGOO Rapid 2012,  
Mercedes-Benz Vans Citan 2012

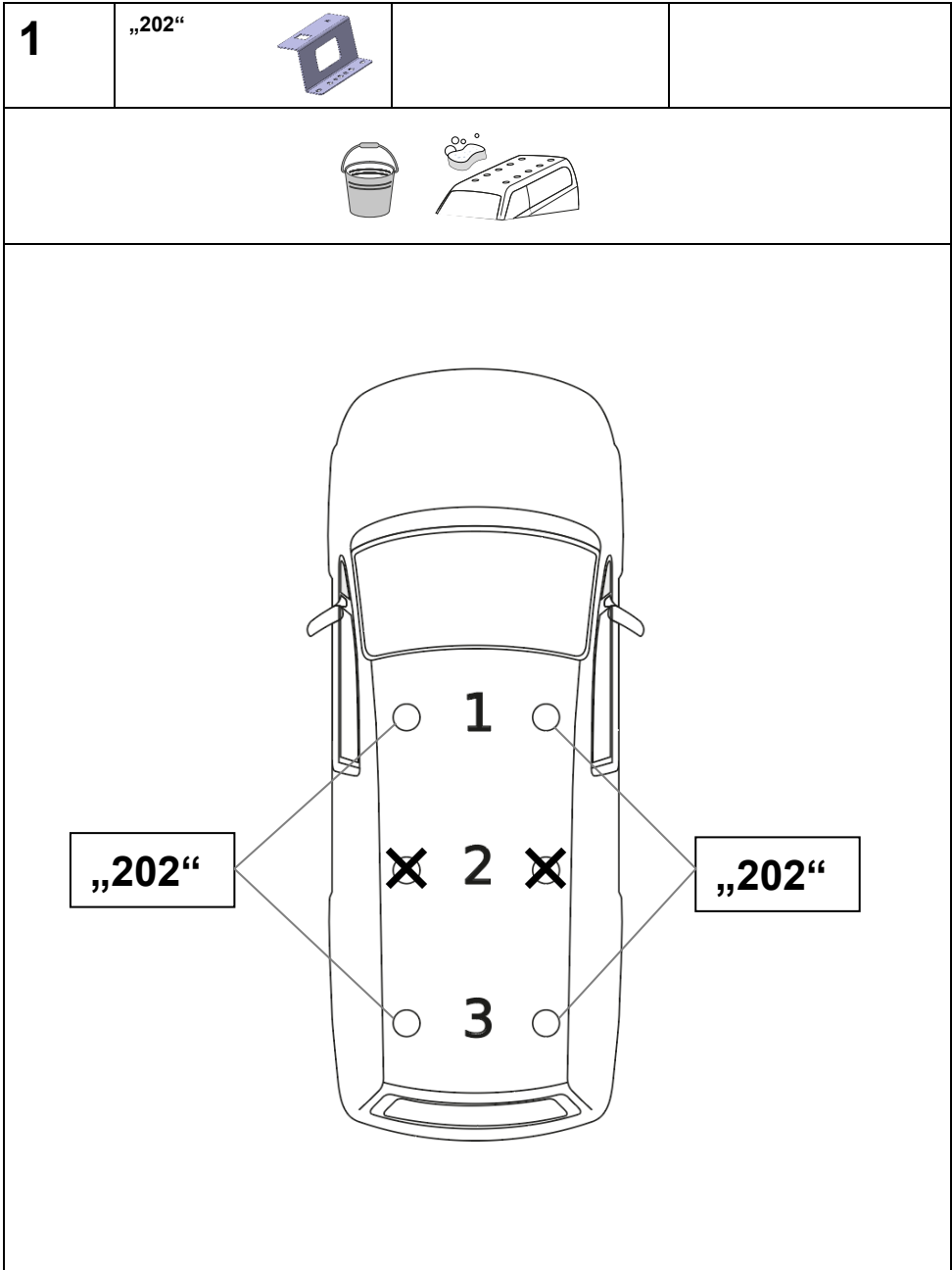
1000010553 / NV200-2P




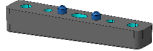

<b>da-DK</b> <b>Vigtigt!</b> Læs og forstå den vedlagte sikkerhedsbrochure.
<b>de-DE</b> <b>Wichtig!</b> Lesen und verstehen Sie die beiliegende Sicherheitsbroschüre.
<b>en-EN</b> <b>Important!</b> Read and ensure that you have understood the enclosed safety brochure.
<b>es-ES</b> <b>¡Importante!</b> Asegúrese de leer y entender el folleto de seguridad adjunto.
<b>fr-FR</b> <b>Important !</b> Lisez attentivement la brochure de sécurité ci-jointe pour bien la comprendre.
<b>no-NO</b> <b>Viktig!</b> Les og forstå den vedlagte sikkerhetsbrosjyren.
<b>nl-NL</b> <b>Belangrijk:</b> Zorg ervoor dat u de bijgevoegde veiligheidsbrochure hebt gelezen en begrepen.
<b>sv-SE</b> <b>Viktigt!</b> Se till att läsa och förstå den bifogade säkerhetsbroschyren.



<b>1000010553</b>		
4x 2000017725 	4x 6000003535 M6x16 	4x 6000003960 Ø 18 / Ø 6,4 
4x MT1016364 M6 	4x 2000018148 "202" 	4x 6000004027 "310" 
4x 6000004033 Ø 25 / Ø 8,3 	4x 6000003957 M8x35 	4x 6000003941 Ø 8,4 
4x 6000011037 Ø 22 / Ø 8,4 		



<p><b>2</b></p>	<p>M8x35 12 Nm</p> 	<p>Ø 8,4</p> 	<p>Ø 22 / Ø 8,4</p> 
		<p>6000004027 "310"</p> 	<p>6000004033 Ø 25 / Ø 8,3</p> 


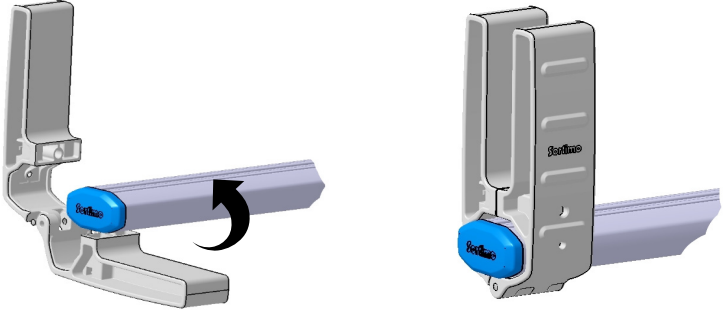


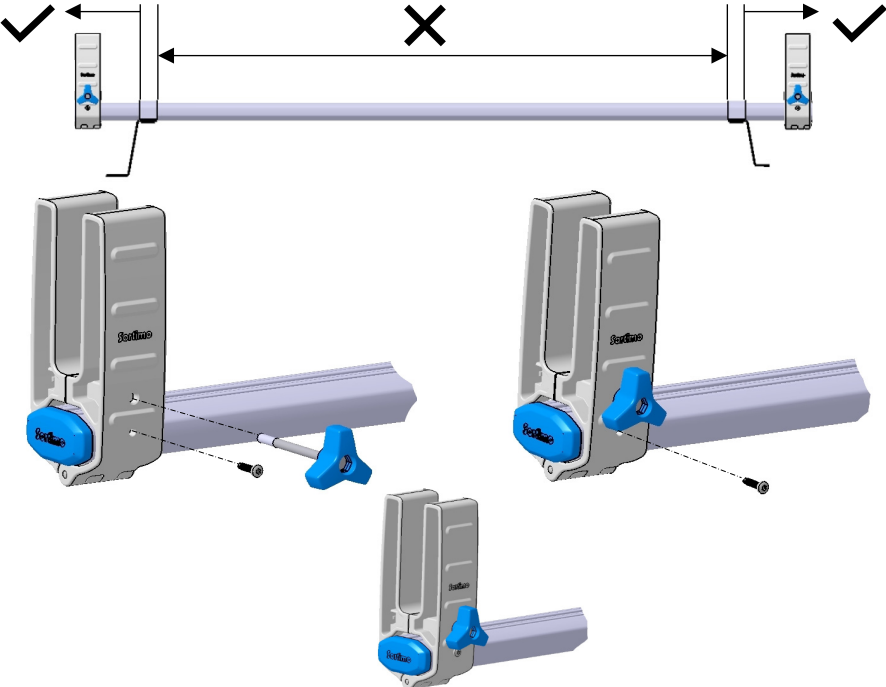
  

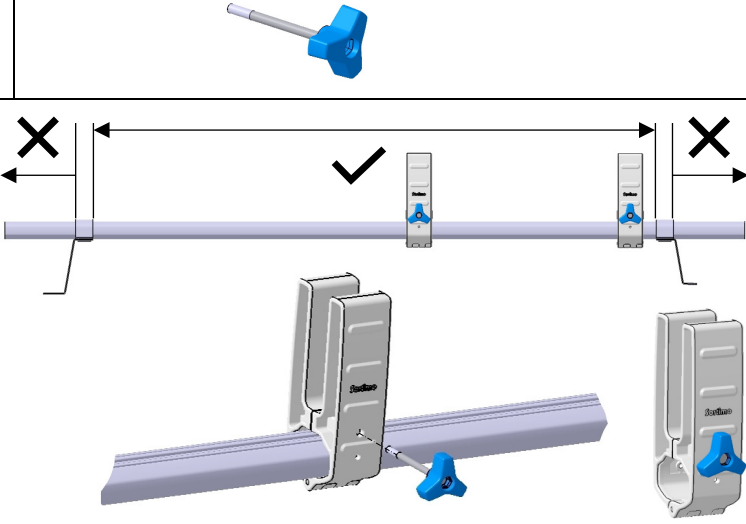
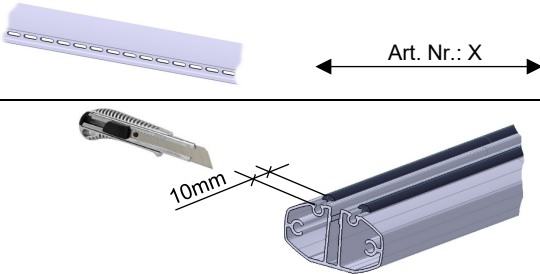
The diagram illustrates the assembly of a screw into a purple plate. A screwdriver is shown applying torque to the screw. Below the plate, a grey bar with several pins is positioned, and a washer is shown being placed on top of it. A callout box labeled "„310“" points to the grey bar.

The information icon (i) is followed by two diagrams. The first diagram shows a component being inserted into a hole with a green checkmark, indicating correct installation. The second diagram shows a component being inserted into a hole with a red X, indicating incorrect installation.

<p><b>3</b></p>				
<p><b>3.1</b></p>	<p>M6x16</p>	<p>Ø 18 / Ø 6,4</p>	<p>M6 8 Nm</p>	
<p><b>4</b></p>	<p>6000003819</p>			

<p><b>5</b></p>	<p>6000015343</p> 	
		
<p><b>5.1</b></p>	<p>M4,2x19 4 Nm</p> 	
		

<p><b>5.2</b></p>		
<p><b>6</b></p>		
<p><b>6.1</b></p>	<p>6000011073 M6x16 6 Nm</p> 