

Installation Instructions

“One Click”



1 Table of contents


2	Warnings and symbols	3
2.1	A distinction is made between the following:	3
2.2	Symbols	3
3	Information on the document	3
3.1	Operator's obligations	4
3.2	Requirements for the user	5
3.3	Safety labels	5
3.4	Limitations of use	5
4	Profiles	6
5	Fitting the shelves	7
6	Fitting the drawers	8
7	Fitting the MultiSlide	9
8	Fitting the base flap	10
9	Fitting the case fixation	11
10	Fitting the folding parallel vice	12

2 Warnings and symbols

- These instructions contain information about possible dangers that could arise with incorrect use and/or improper behaviour.

2.1 A distinction is made between the following:


 Danger!
Failure to observe the warning can cause severe personal injury and/or serious material damage!


 Caution!
Failure to observe the instructions can cause personal injury and/or material damage!

 Important!
Failure to do so can result in material damage!


 Information!
Recommendations and useful hints!

2.2 Symbols

	This symbol indicates that the screw fixing is only to be tightened hand-tight!
---	---

xx Nm 	This symbol indicates that the screw fastening is to be tightened to the stated torque.
---	---

3 Information on the document

 Caution!
<p>Injury from lifting too heavy a load</p> <p>The van racking system may be too heavy for one person, depending on the configuration. This could result in minor injuries.</p> <ul style="list-style-type: none"> • Installation should be carried out by two people. • Ensure a safe working environment; park the vehicle on a flat and solid surface. • If the vehicle is to be driven off normal roads, all screw connections need to be fitted using an appropriate screw locking tool. • When installing the van racking system, make sure that all existing service access points (e.g. first-aid box, spare wheel) remain accessible after installation.



Danger!

Note the separate health and safety guidelines for high-voltage vehicles!



Information!

Depending on the configuration, several van racking systems are included in the delivery. We recommend that you install them separately from each other.



Information!

We reserve the right to make modifications to the design without notice.



Important!

Ensure that the specified screw fixing torques are adhered to.

- **M5 = 4 Nm ±10%**
- **M6 = 7.5 Nm ±10%**
- **M8 = 20 Nm ±10%**

If other torques are required, they are specified in the instructions!



Caution!

Ensure that shelves, drawers and MultiSlides are correctly locked in place when they are clicked into the profile!

3.1 Operator's obligations



Danger!


Ensure that ...

- The applicable laws and standards are observed (e.g. StVO German Road Traffic Regulations and professional association guidelines).
- The safety labels are visible and legible on the product.
- The safety equipment is fitted and undamaged. The safety equipment includes:
 - **Partition,**
 - **ventilation and air extraction system.**
- The van racking system is regularly inspected for wear or damage.
- There are sufficient lashing points available.
- Suitable lashing straps and means of load securing are provided.
- The vehicle has suitable ventilation and air extraction when gas cylinders are being transported.
- The user has read and understood this document.
- The user has the required knowledge and can apply it.


3.2 Requirements for the user

Life phases	Knowledge
Fitting and dismantling the product	- Technical expertise
Working on the electrics	- Specialist electrical engineering knowledge - Applicable legislation and standards, e.g. VDE 0100-717
Securing of loads	- The applicable legislation and standards governing the securing of loads, e.g. the German Road Traffic Act StVO and the German Regulation on the Approval of Road Vehicles StVZO.
Transporting gas cylinders	- Applicable laws and standards governing the transport of dangerous materials, such as GGVSE, ADR and SDB. - Operation of the ventilation and air extraction systems.

3.3 Safety labels

 Caution!
<p>Dangerous situations cannot be avoided if safety labels are illegible or missing from the product.</p> <ul style="list-style-type: none"> • Make sure on a daily basis that all safety labels are visible on the product. • Replace any missing or illegible safety labels.

3.4 Limitations of use

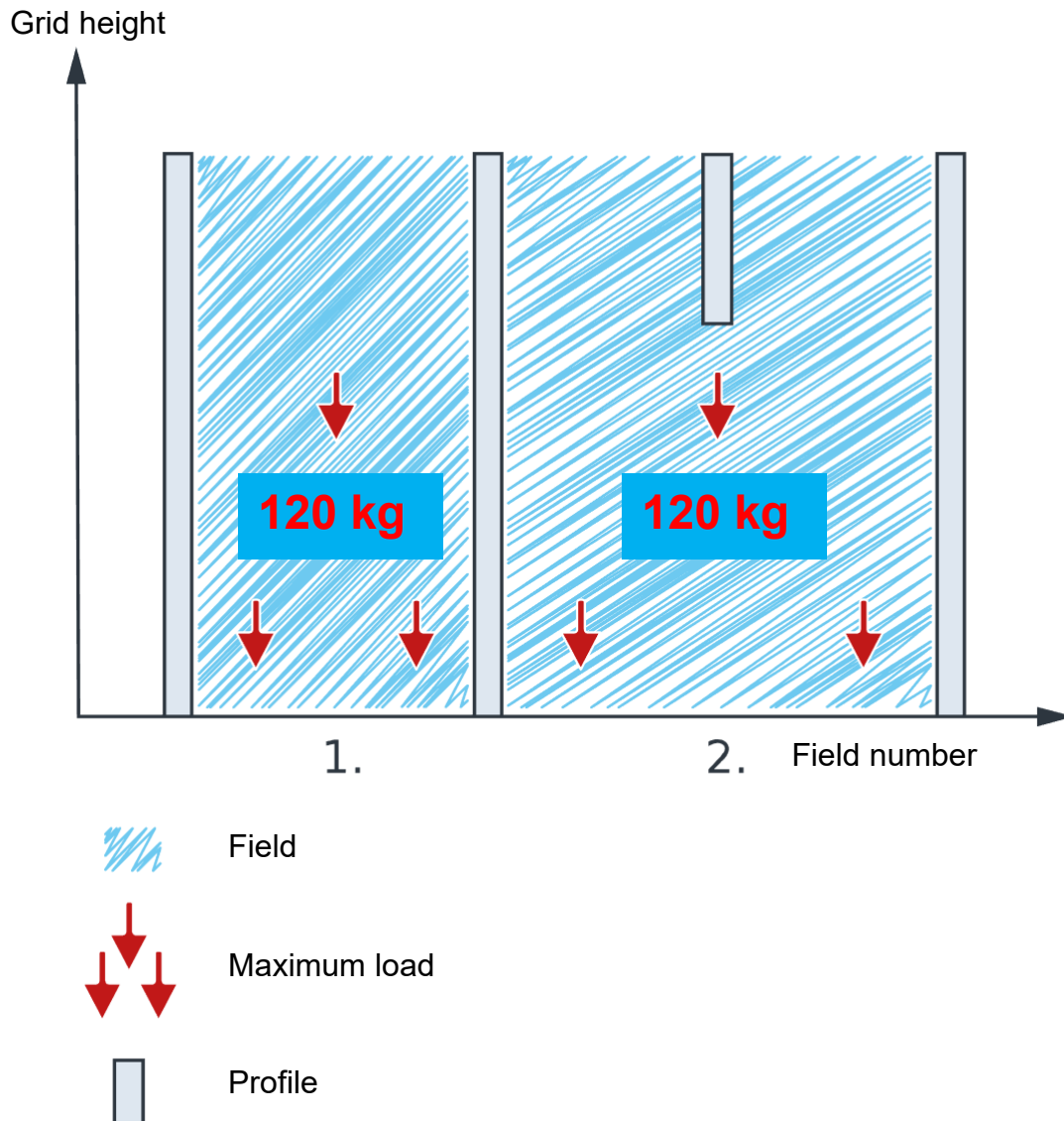
 Danger!
<p>Severe to fatal injuries can result if the maximum permitted loading weight is exceeded.</p> <ul style="list-style-type: none"> • Pay attention to the weight of your van racking system. • Note the maximum permitted load capacity/payload of the elements. • When using, make sure that the tools and consumables are held securely in place. • Danger from falling objects • Observe the specifications in the handbook and in the vehicle documentation <ul style="list-style-type: none"> ○ Maximum permissible axle load, ○ Maximum permissible total weight.

4 Profiles

Field load:

A van racking system can be divided into fields. A field is an area between two profiles that is directly connected to the installation and load-securing floor.

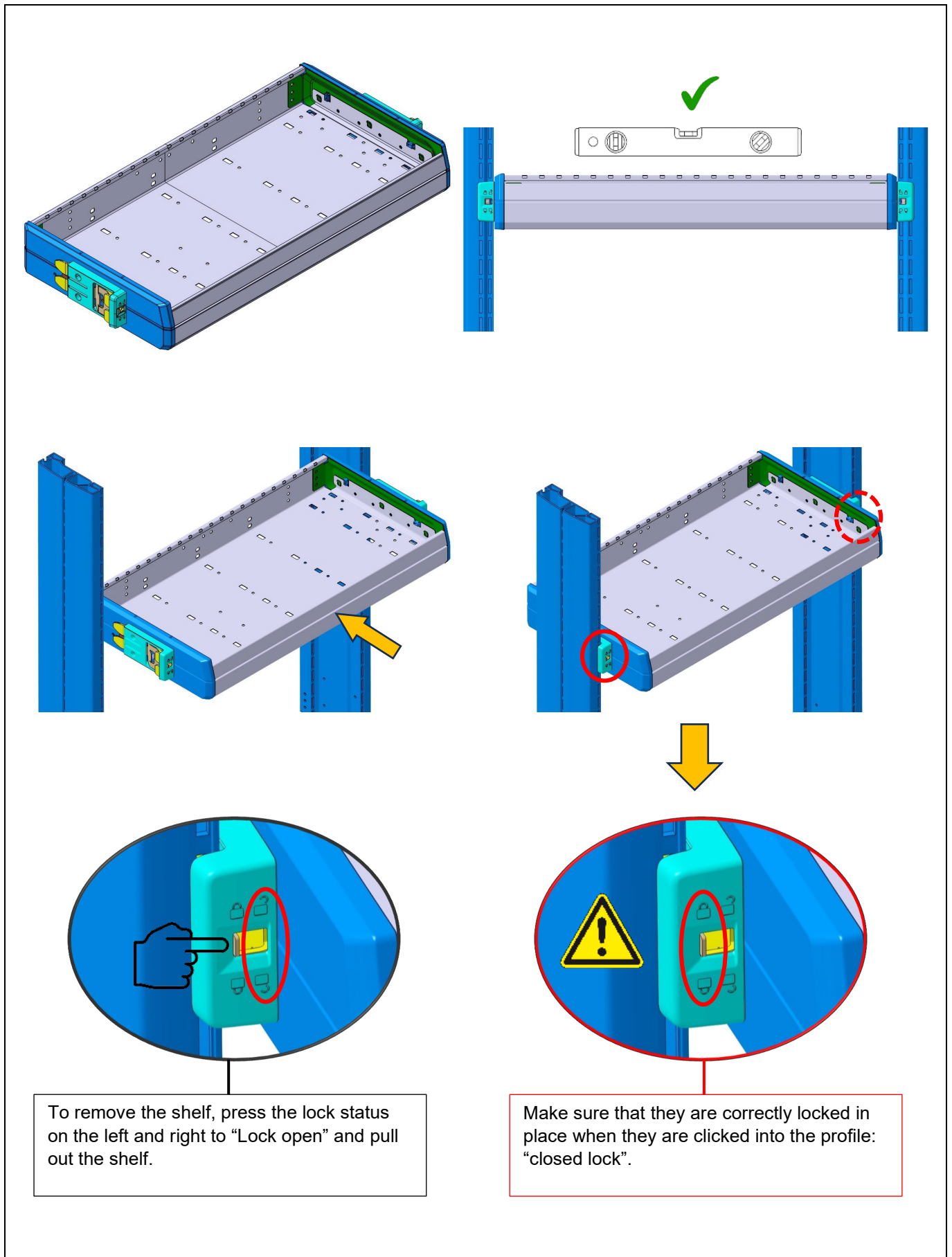
Each field has a maximum load capacity of **120 kg**.



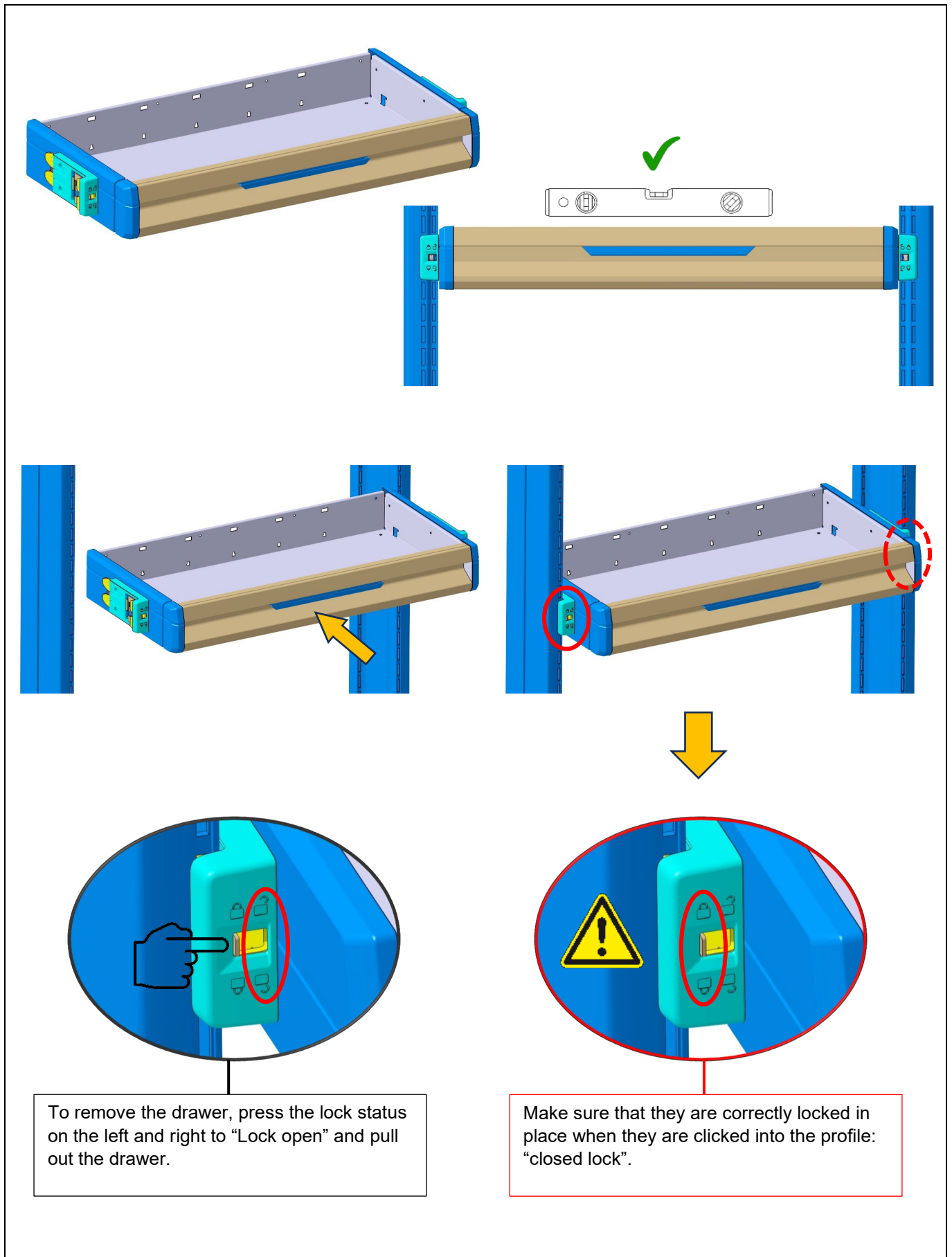
Important!

- Adhere to the maximum payload and maximum axle load of the vehicle!

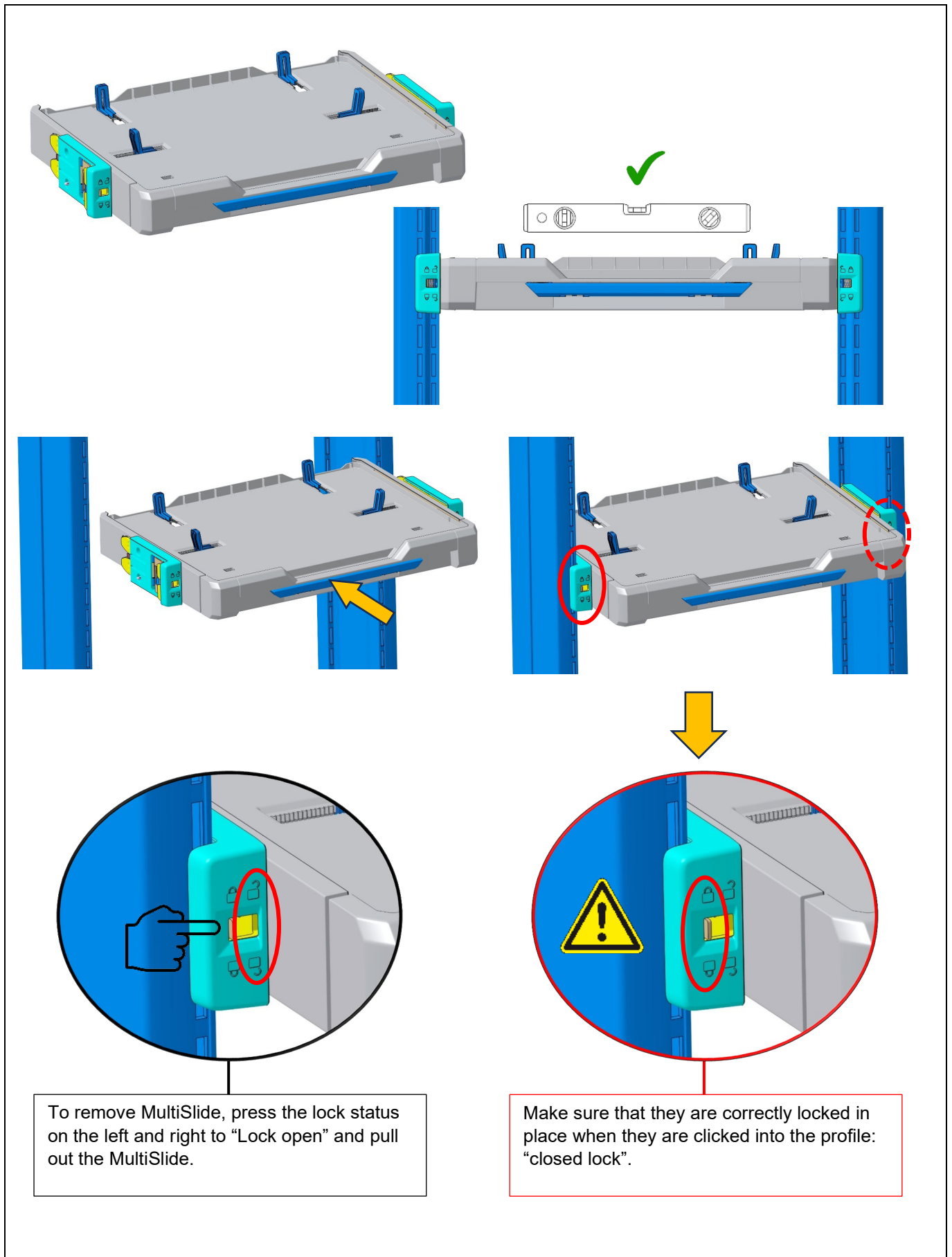
5 Fitting the shelves



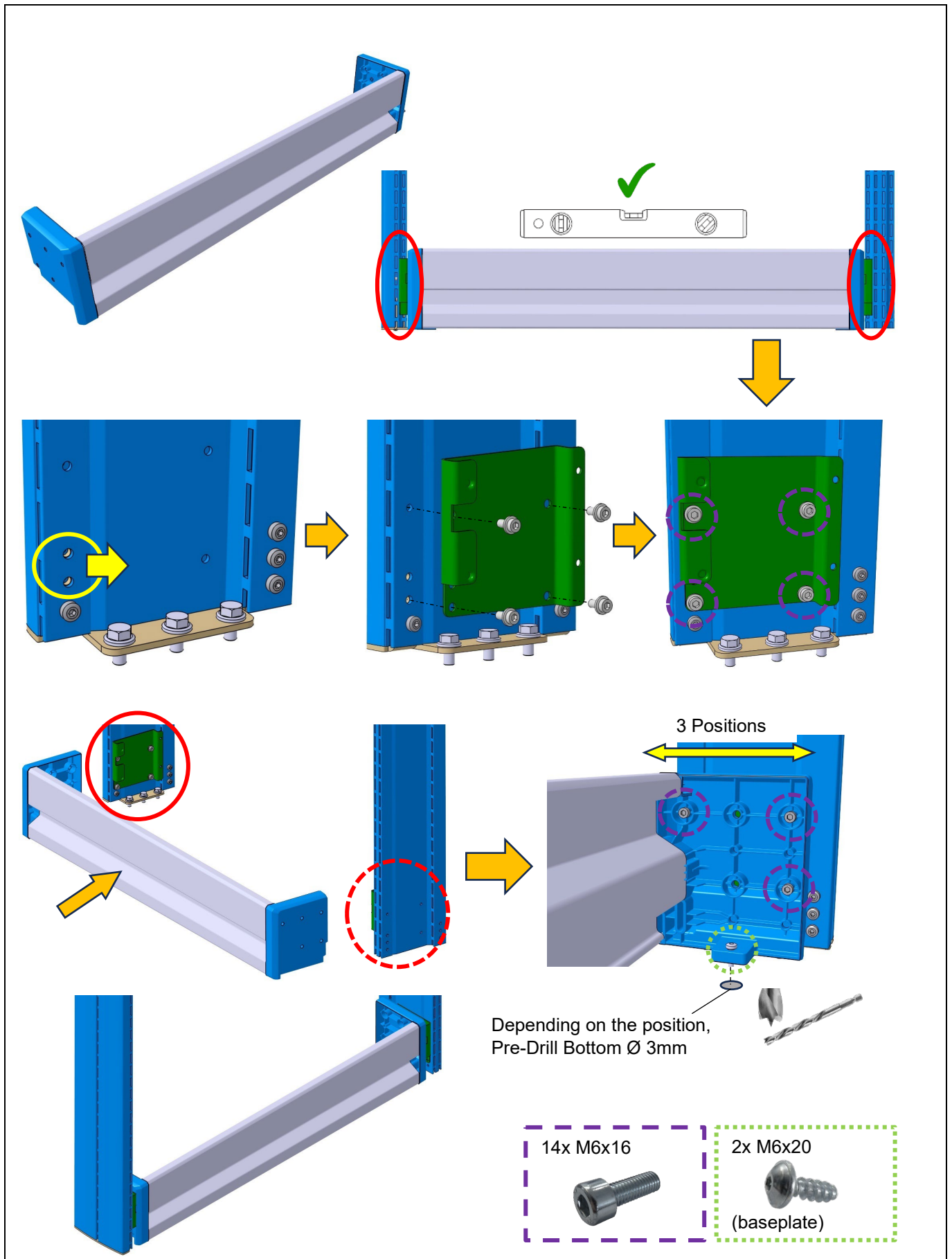
6 Fitting the drawers



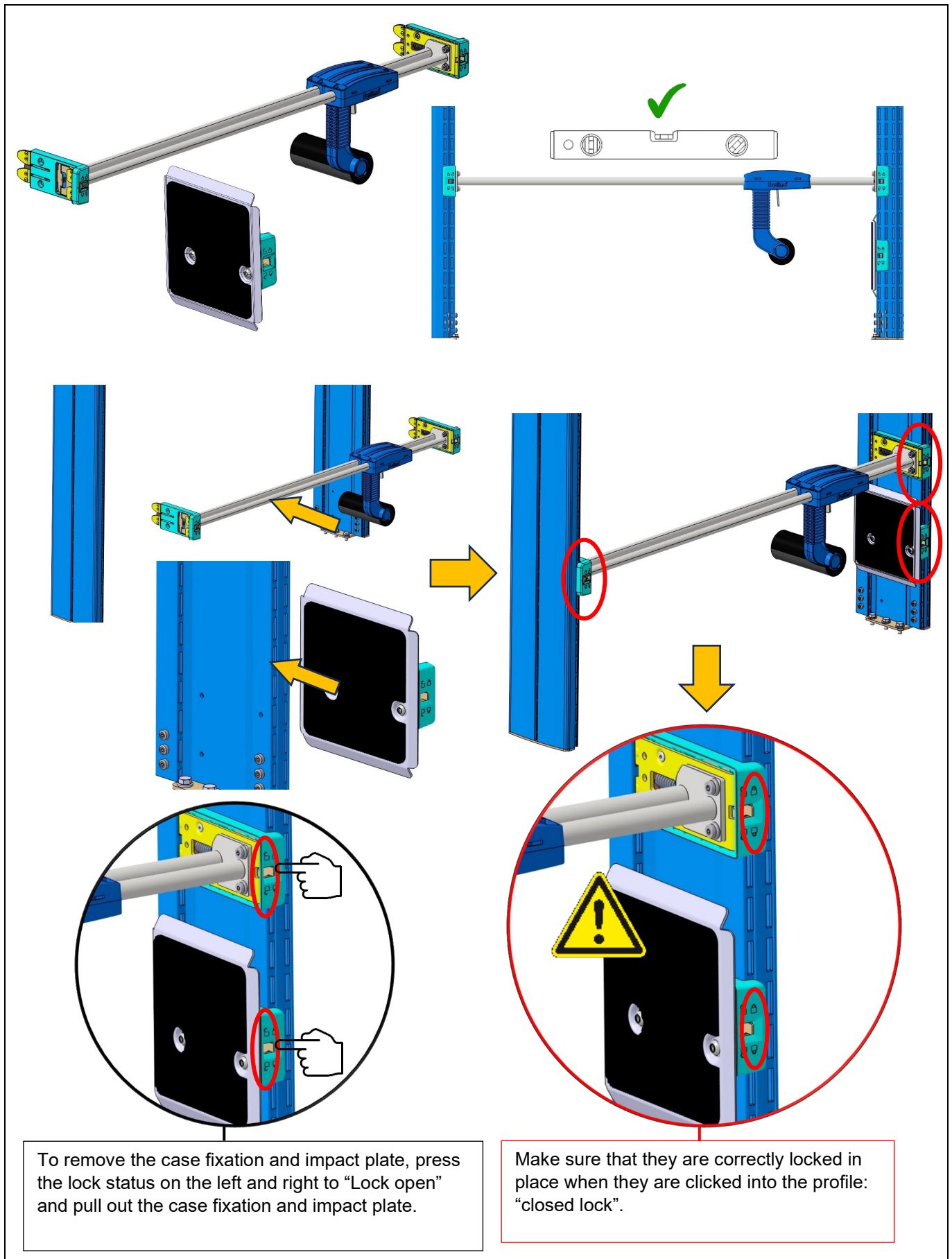
7 Fitting the MultiSlide



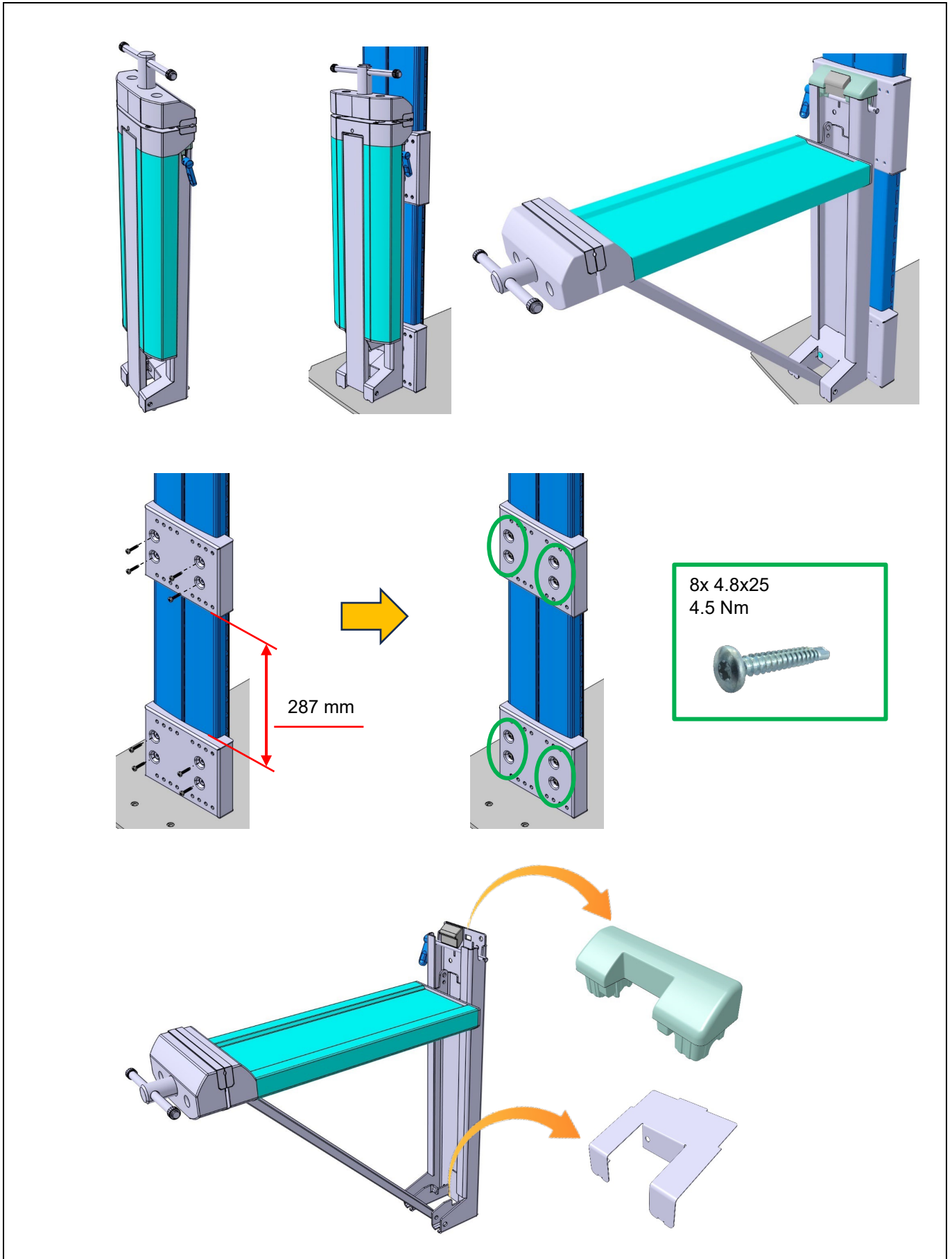
8 Fitting the base flap

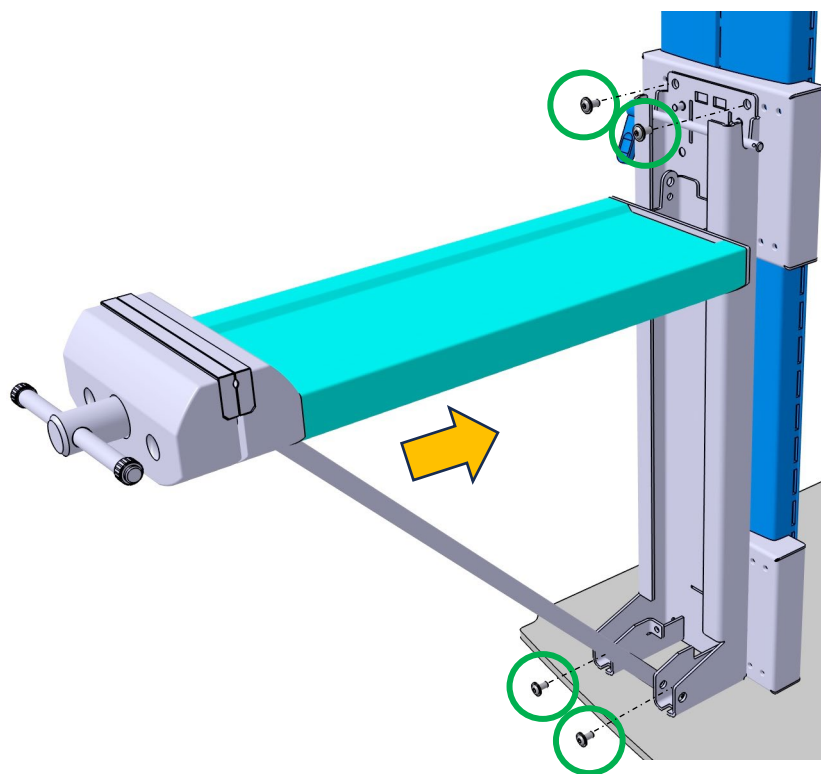


9 Fitting the case fixation

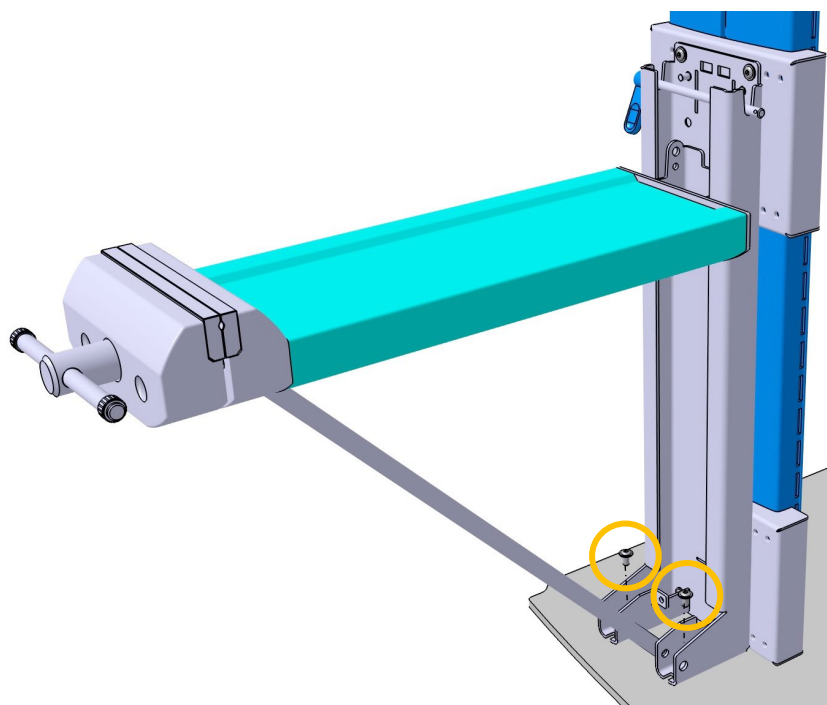


10 Fitting the folding parallel vice





4x 6x12
7.5 Nm



2x 6x12
7.5 Nm



