

Assembly instructions

SR5

Table of contents


Warnings and symbols	4
Information on the document	4
Personal configuration	5
Installing the SoboPro	8
Preparing profiles	10
Attaching components	13
Stability criteria	13
Frame	14
Frame traverse	15
Shelves	16
Mounting Drawer Riser H6/H10	17
Mounting Drawer Riser H8/H12	19
Installing H8/H10/H12 drawers	21
Installing H6 drawers	23
Installing SR drawers	25
Installing the MultiSlide	26
Installing the field subdivision – frame + frame	27
Installing the field subdivision – frame + shelf	29
Installing the case fixation	31
Floor flap	32
Universal cabinet	36
Hinged workbench	37
Folding parallel vice	39
Long components tray	42
Service case rail	45
Side profile vertical connector	47
Intermediate profile vertical connector	48
Dual directional block 90° T4/T5	49
Dual directional block 90° T7	57
Note regarding ProFix	64
Installing ProFix	65
Attaching ProFix to the van racking system	66
Attaching ProFix brackets to the wall of the vehicle	71
Fixing information	73
Mounting accessories	74
Plastic slide at top	74


Plastic slide at bottom	75
Plastic slide at bottom 04-0 FB03.....	76
Plastic slide at bottom and top	77
Divider for shelf.....	78
Divider for shelf with edge	79
Universal cabinet shelf	80
Worktop shelf.....	81
Installing side profile accessories.....	82
Logo carrier.....	82
Storage pocket.....	83
Storage pocket for paperwork	84
ProSafe lashing rail.....	85
i-BOXX wall holder.....	86
Grab handle	87
Installing intermediate profile accessories.....	88
Storage pocket.....	88
Storage pocket for paperwork	89
ProSafe lashing rail.....	90
i-BOXX wall holder.....	91

Warnings and symbols


- These instructions contain information about possible dangers that could arise with incorrect use and/or improper behaviour.

A distinction is made between the following:

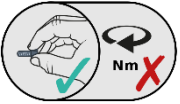
 Danger!
Failure to observe the warning can cause severe personal injury and/or serious material damage!

 Caution!
Failure to observe the instructions can cause personal injury and/or material damage!


 Important!
Failure to do so can result in material damage!


 Information!
Recommendations and useful hints!

Symbols

	This symbol indicates that the screw fixing is only to be tightened hand-tight!
---	---

Information on the document

 Caution!
<p>Injury from lifting too heavy a load</p> <p>The van racking system may be too heavy for one person, depending on the configuration.</p> <ul style="list-style-type: none"> • Installation should be carried out by two people. • Make sure that your working environment is safe.

 Information!
Depending on the configuration, several van racking systems are included in the delivery. We recommend that you install them separately from each other.

 **Important!**

Ensure that the specified screw fixing torques are adhered to.

- **M5 = 4 Nm ±10%**
- **M6 = 7.5 Nm ±10%**
- **M8 = 20 Nm ±10%**

If other torques are required, they are specified in the instructions!

Safety labels

 **Caution!**

Dangerous situations cannot be avoided if safety labels are illegible or missing from the product.

Adhesive labels

There are adhesive labels affixed at various points in the vehicle. These adhesive labels act as guides. The adhesive labels must be legible; if they are not legible, they must be replaced.

Personal configuration

 **Information!**













The "Personal configuration" document is included with delivery. This document contains additional information about the installation of your personal configuration. The parts of this document are described below.



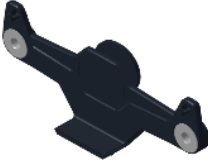
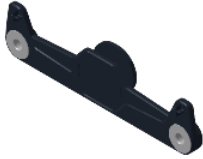
When the following symbol appears, the corresponding information must be taken from the "Personal configuration" document.

Intermediate view

The intermediate view shows the position of the installation adapters for the respective profile of the configuration.

Designation	A 95 		B 95 		B 95 		C 95 		C 95 		D 95 	
Installation adapter												
Grid position	-	92	-	92	-	92	-	92	-	92	-	92
	-	64	76	-	-	64	-	66	76	-	-	66
	-	45	66	-	-	45	-	64	66	-	-	64
	-	26	60	-	-	26	-	60	60	-	-	60
	4	-	58	-	-	58	-	58	58	-	-	58
	-	-	54	-	-	54	-	52	54	-	-	54
	-	-	46	-	-	46	-	46	46	-	30	-
	-	-	44	-	-	44	30	34	44	-	28	-
	-	-	40	-	4	-	28	-	40	-	12	-

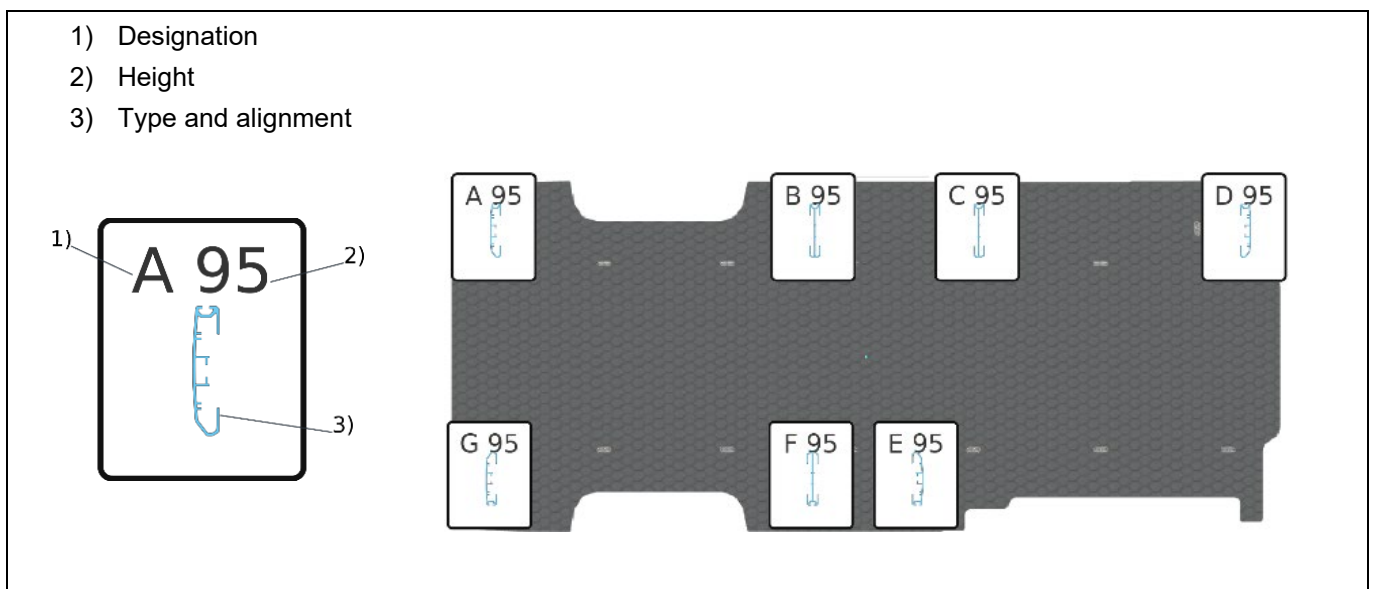
Installation adapter:

<p>Installation adapter with lug: The installation adapter with lug is solely used to attach shelves.</p>	
<p>Installation adapter without lug: The installation adapter is used to install the remaining elements, e.g. frame or frame traverse.</p>	

SoboPro top view

This view shows the SoboPro, side profiles and intermediate profiles from above.

The side and intermediate profiles are clearly marked. This illustration also provides the height information for the individual side and intermediate profiles.

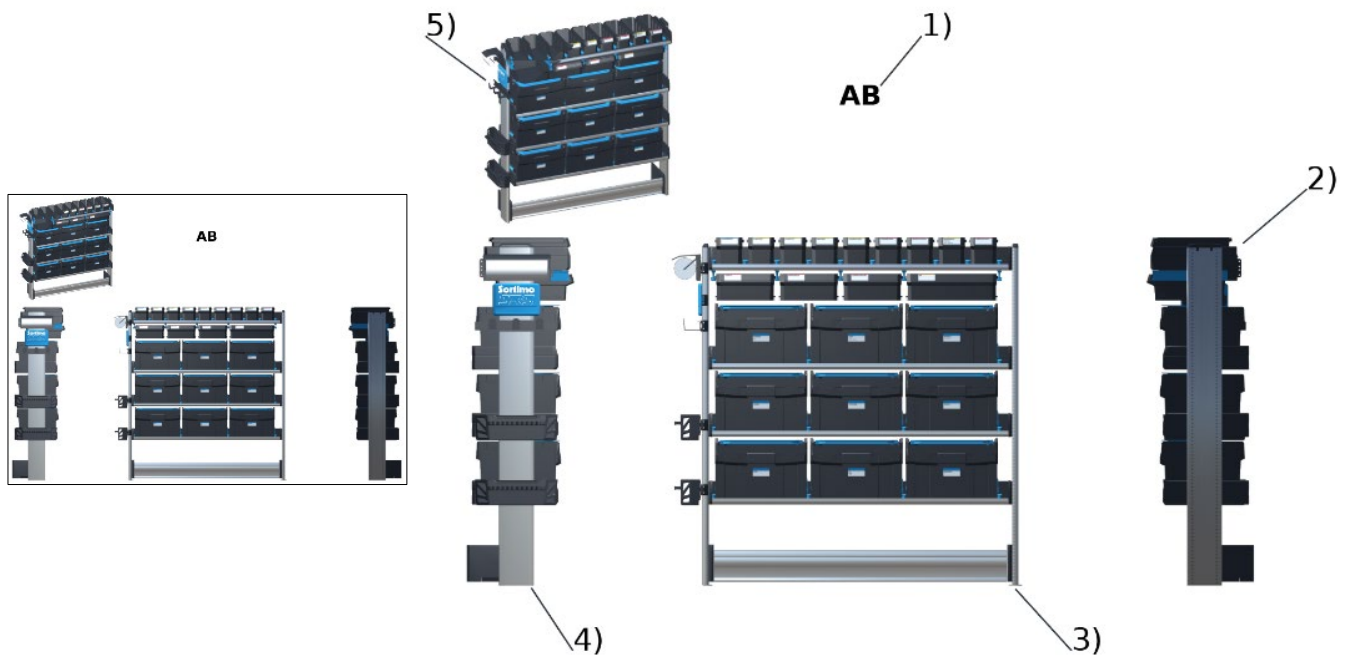


Overall view

The overall view shows the van racking system from each side and in the isometric view each field is displayed separately.


The designation of the field comes from the respective profile pairs.


- 1) Field designation
- 2) Right side view
- 3) Front view
- 4) left side view
- 5) Isometric view


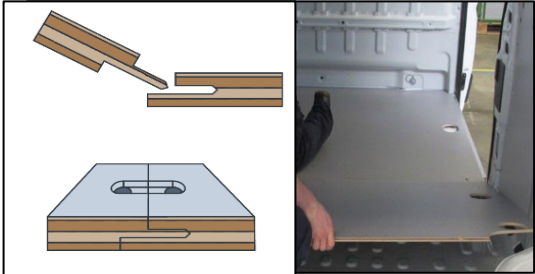


Installing the SoboPro

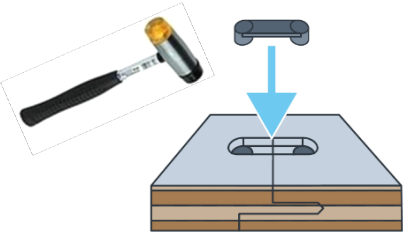
Laying the floor cladding:

	Important!
<p>Material damage caused by rough handling. The connection folds of the floor cladding are sensitive to impacts and crushing.</p> <ul style="list-style-type: none"> - Connect the floor cladding carefully. 	

	Information!
<p>The floor cladding is laid from the partition to the rear of the vehicle.</p>	

<p>Check whether the folds of the floor cladding are damaged. Position the first floor cladding panel.</p>	
<p>Position the next floor cladding panel. Join the floor cladding panels,</p> <ul style="list-style-type: none"> - ensuring that the connecting ends are flush. - Make sure that the recesses line up with each other. <p>If available, position additional floor cladding panels one by one and join them to the previous ones.</p>	

Attaching floor clips:

<p>Position the floor clips. Carefully use a rubber mallet to fix the floor clips in place. Repeat these steps until all floor cladding panels have been connected to each other.</p>	
---	--

Levelling and aligning the floor cladding panels:



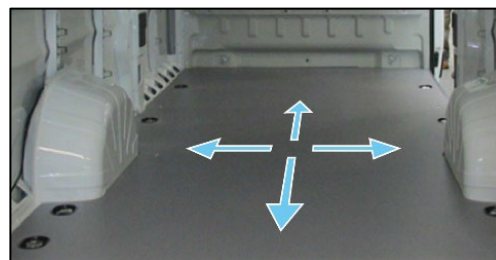
Information!

The floor must have the same gap from the vehicle chassis in all directions.

The following can be of assistance in this regard:

- Lashing points,
- Wheel housings.

Level and align joined floor cladding panels.



Attaching lashing eyes:



Information!

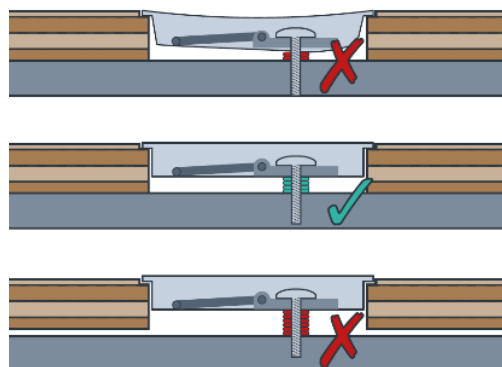
The floor cladding requires a lashing cup to be fitted.

Shims may be needed to raise the lashing cup depending on the floor of the vehicle body.

Select the number of shims to ensure that the floor cladding is lightly compressed.

Assign the lashing eyes with their original screws to the original positions.

Calculate the number of shims required.




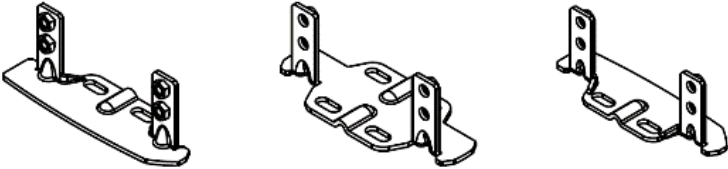
Important!

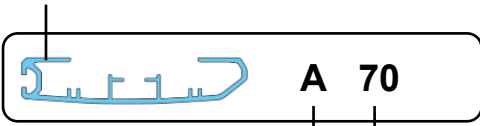

Tighten the original screws using the required torque.

- The respective torque can be found in the manufacturer's set-up guidelines.

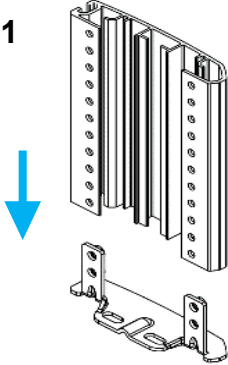
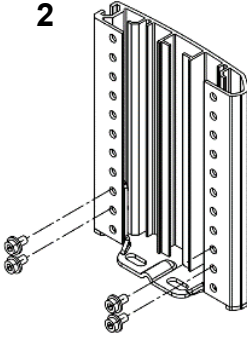
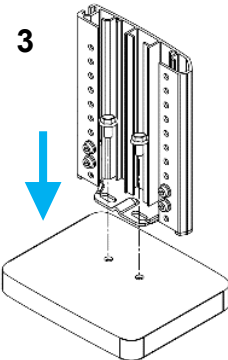
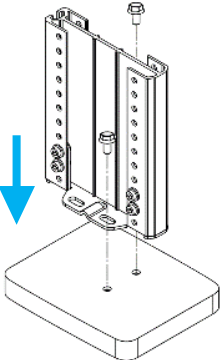

Preparing profiles

Assigning profile feet:

	Information!
<p>There are three different types of profile feet. The number and type of the profile feet depends on the configuration.</p>	
	

<p>Assign the corresponding profile foot to each side profile / intermediate profile.</p>	<div style="text-align: center;"> <p>Type and alignment</p>  </div> <p>Designation —————</p> <p>Height —————</p>
	

Attaching profile feet

<p>Attach the profile foot to the profile. M6x12 7.5 Nm</p>	<div style="display: flex; justify-content: space-around;"> <div style="text-align: center;"> <p>1</p>  </div> <div style="text-align: center;"> <p>2</p>  </div> </div>
<p>Attach the profile foot to the SoboPro. M8x14</p>	<div style="display: flex; justify-content: space-around;"> <div style="text-align: center;"> <p>3</p>  </div> <div style="text-align: center;">  </div> </div>
	

Positioning the installation adapter



Information!

Determine the position.

There are two different installation adapters.

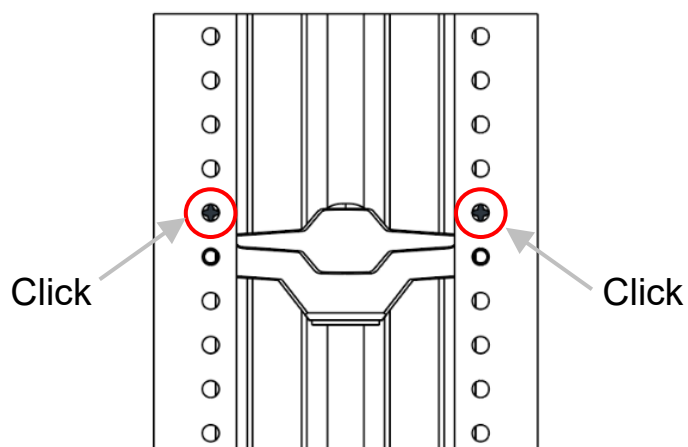
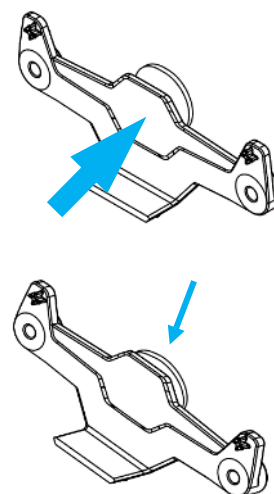
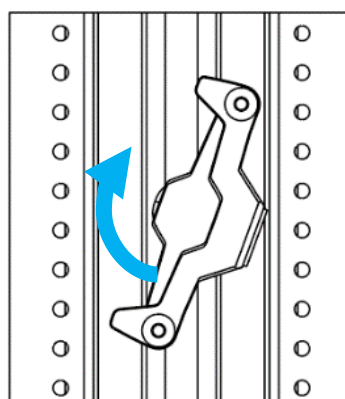
The symbol indicates which installation adapter should be used.

The Sortimo folding ruler supplied can be used to measure the grid height.



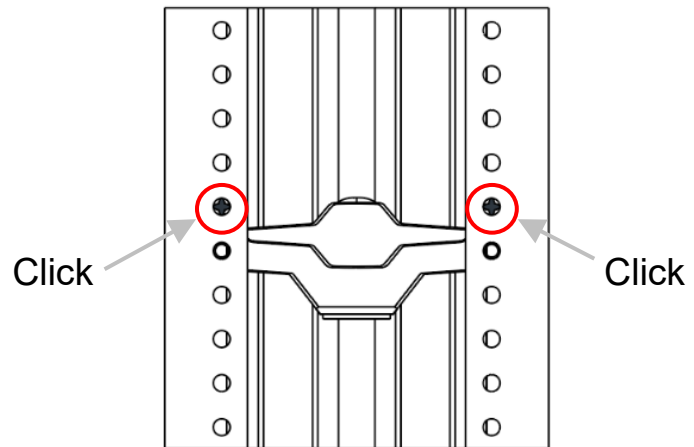
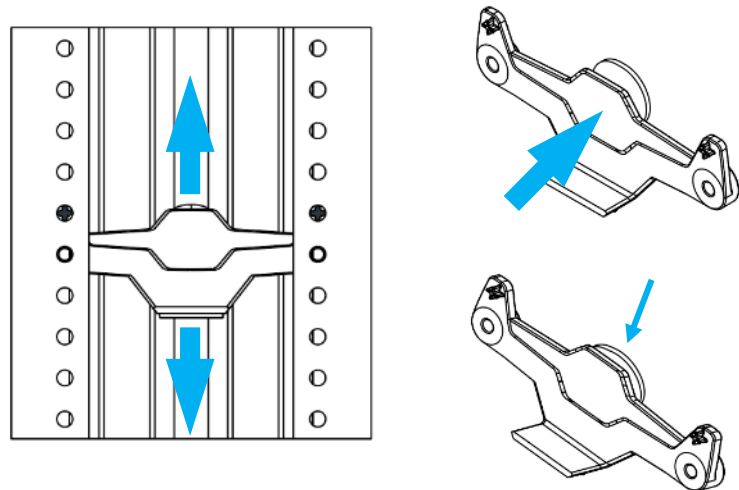
Insert the installation adapter into the profile.

- A "click" can be heard when it engages.



Position the installation adapter.

- Pressing "Press" lets you position the installation adapter at the corresponding height.
- A "click" can be heard when it engages.



Repeat these steps until all installation adapters have been positioned.

Attaching components

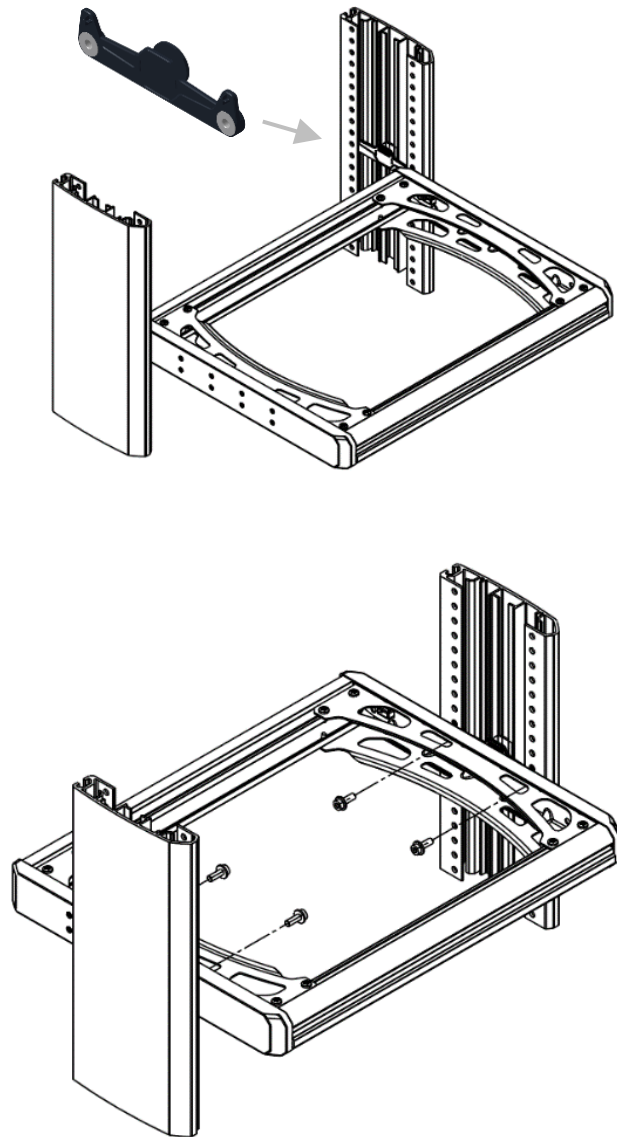
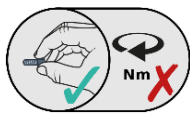
Stability criteria

i	Information!
<p>The rules for installing stabilising components must be observed to ensure stability within a field. Stabilising components include:</p> <ul style="list-style-type: none"> - Shelves (shelf, shelf with border, shelf tray) - Frame <p>Whether and which stabilising components are required depends on the configuration of the van racking system. The following elements are decisive:</p> <ul style="list-style-type: none"> - Drawers - MultiSlide - SR drawers - Case rail <p>Rule: The following rules apply and each field must be taken into account separately.</p> <p>Rule A: If more than two of the decisive elements listed above are installed, then at least</p> <ul style="list-style-type: none"> - two shelves or - one shelf and one frame <p>must be installed. Rear wall profiles also need to be fitted, taking into account the permissible installation options for the rear wall profiles.</p> <p>Rule B: Each of the decisive elements listed above has a specific grid height. If several of these elements are installed and the total grid height of these elements is equal to or more than 60, then:</p> <ul style="list-style-type: none"> - two frames and one shelf <p>must be installed. Rear wall profiles also need to be fitted, taking into account the permissible installation options for the rear wall profiles.</p> <p>Rule C: If up to a max. of two of the decisive elements listed above are installed, then at least</p> <ul style="list-style-type: none"> - two shelves or - one shelf and one frame <p>must be installed. In this case, no rear wall profiles are required for stability, provided that the shelf or BOXX frames can be connected directly to the vehicle wall.</p>	

i	Information!
<p>Certain elements are not included in the delivery, depending on the configuration.</p>	

Frame

Determine the position.
Position the frame between the
installation adapter pair.
Secure the frame to the profiles with
screws.
4x M6x14



Repeat these steps until all frames have been attached.

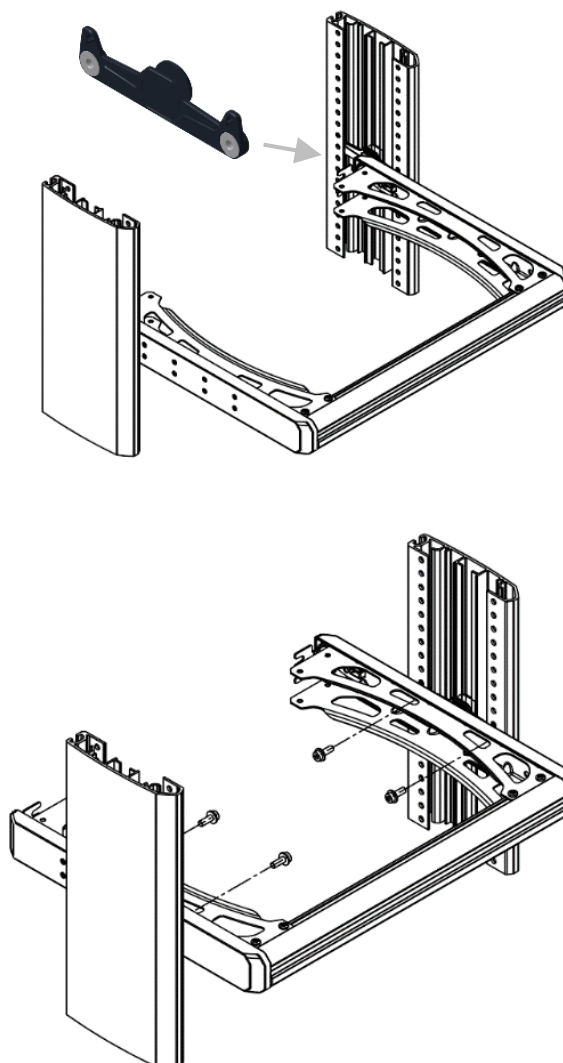
Frame traverse

Determine the position.

Position the frame traverse between the installation adapter pair.

Secure the frame traverse to the profile with screws.

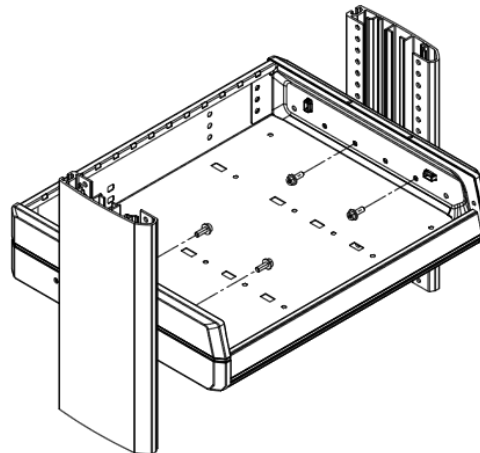
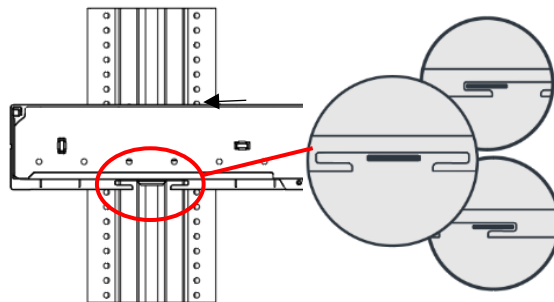
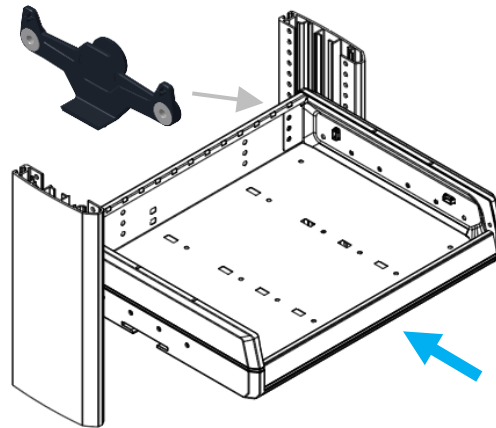
4x M6x14



Repeat these steps until all frame traverses have been attached.

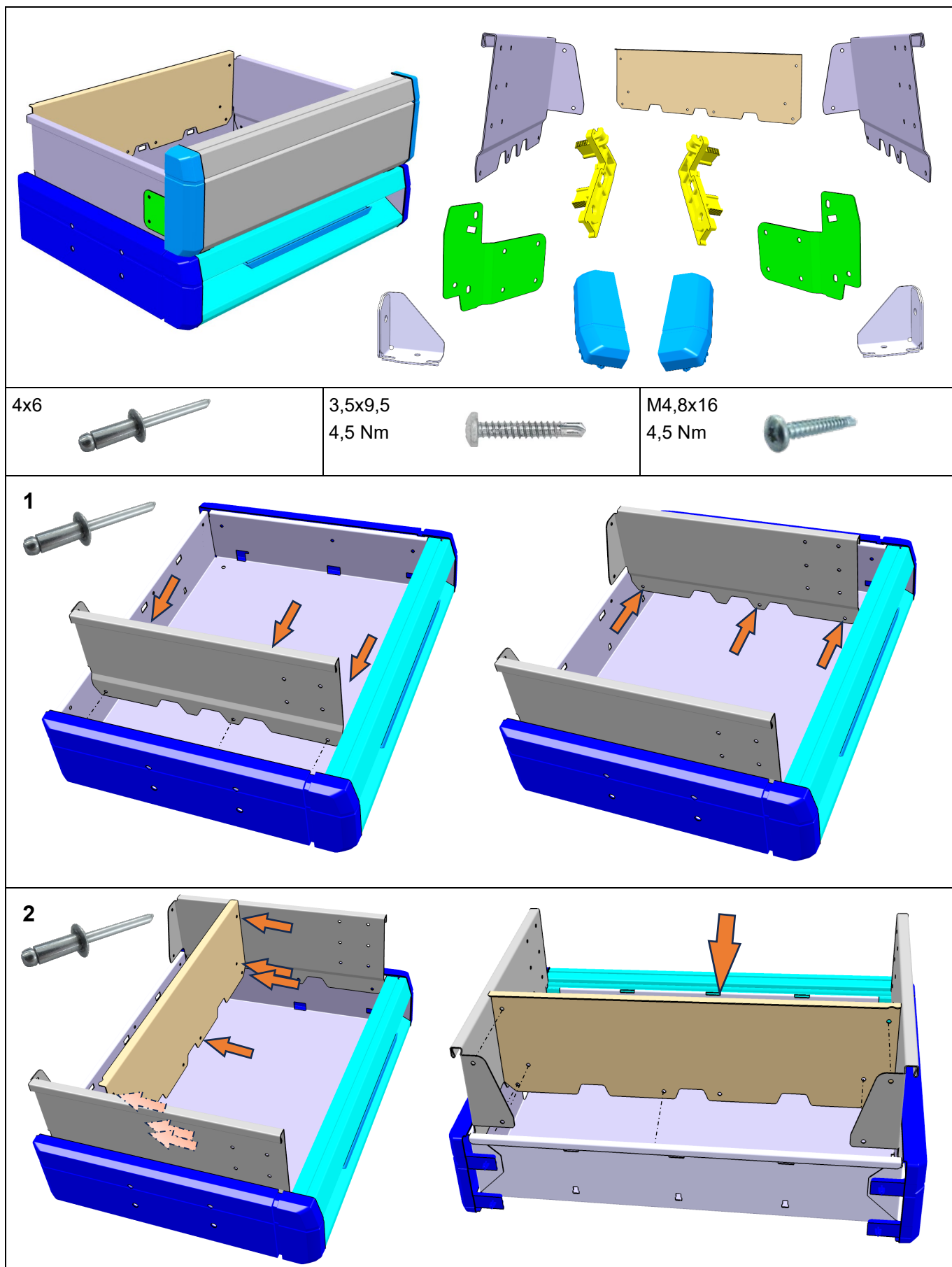
Shelves

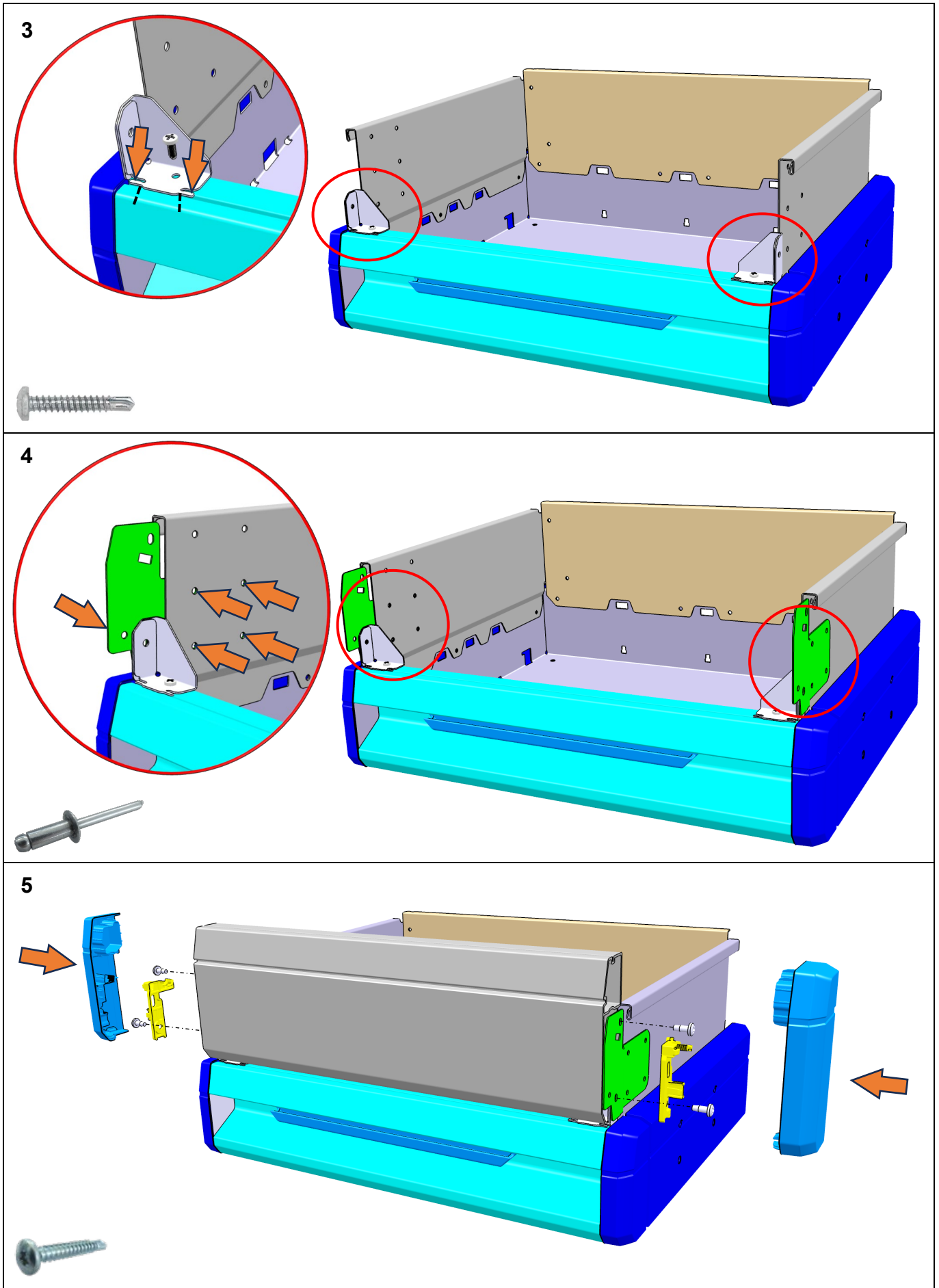
Determine the position.
Position the shelf between the
installation adapter pair.
Secure the shelf to the profiles with
screws.
4x M6x14



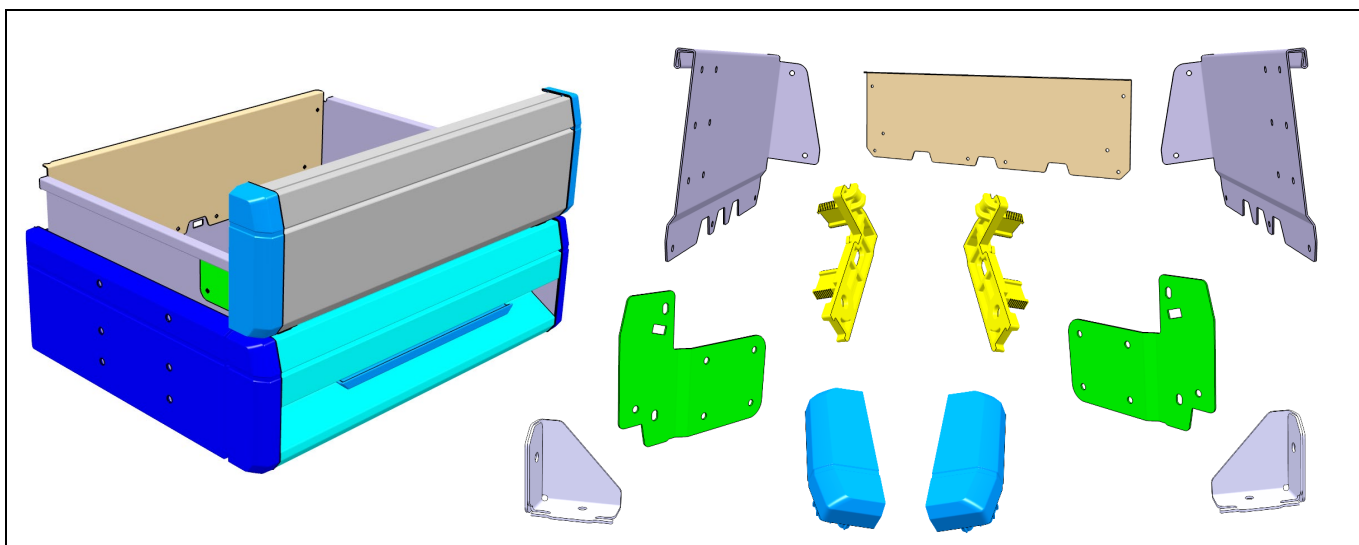
Repeat these steps until all shelves have been attached.

Mounting Drawer Riser H6/H10





Mounting Drawer Riser H8/H12



4x6



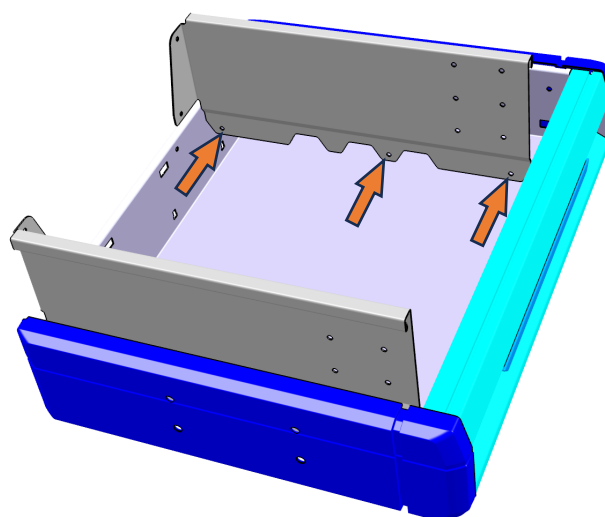
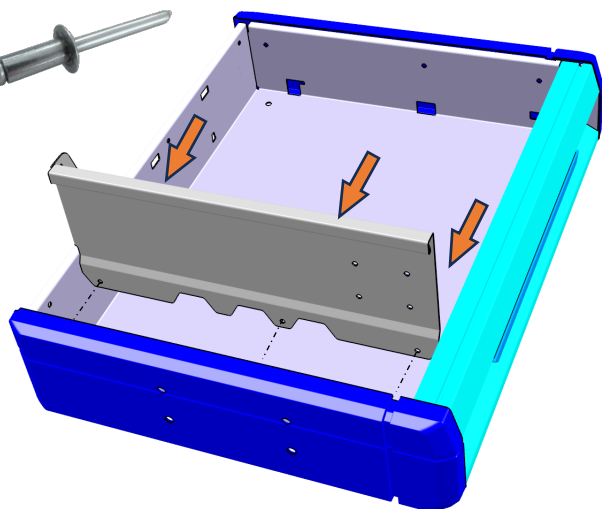
3,5x9,5



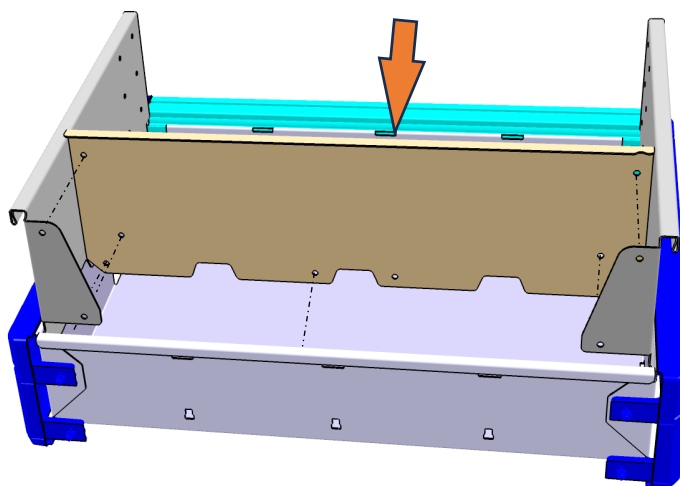
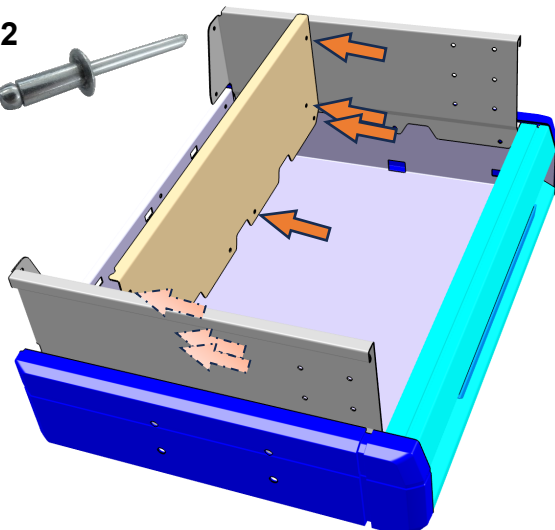
M4,8x16
4,5 Nm

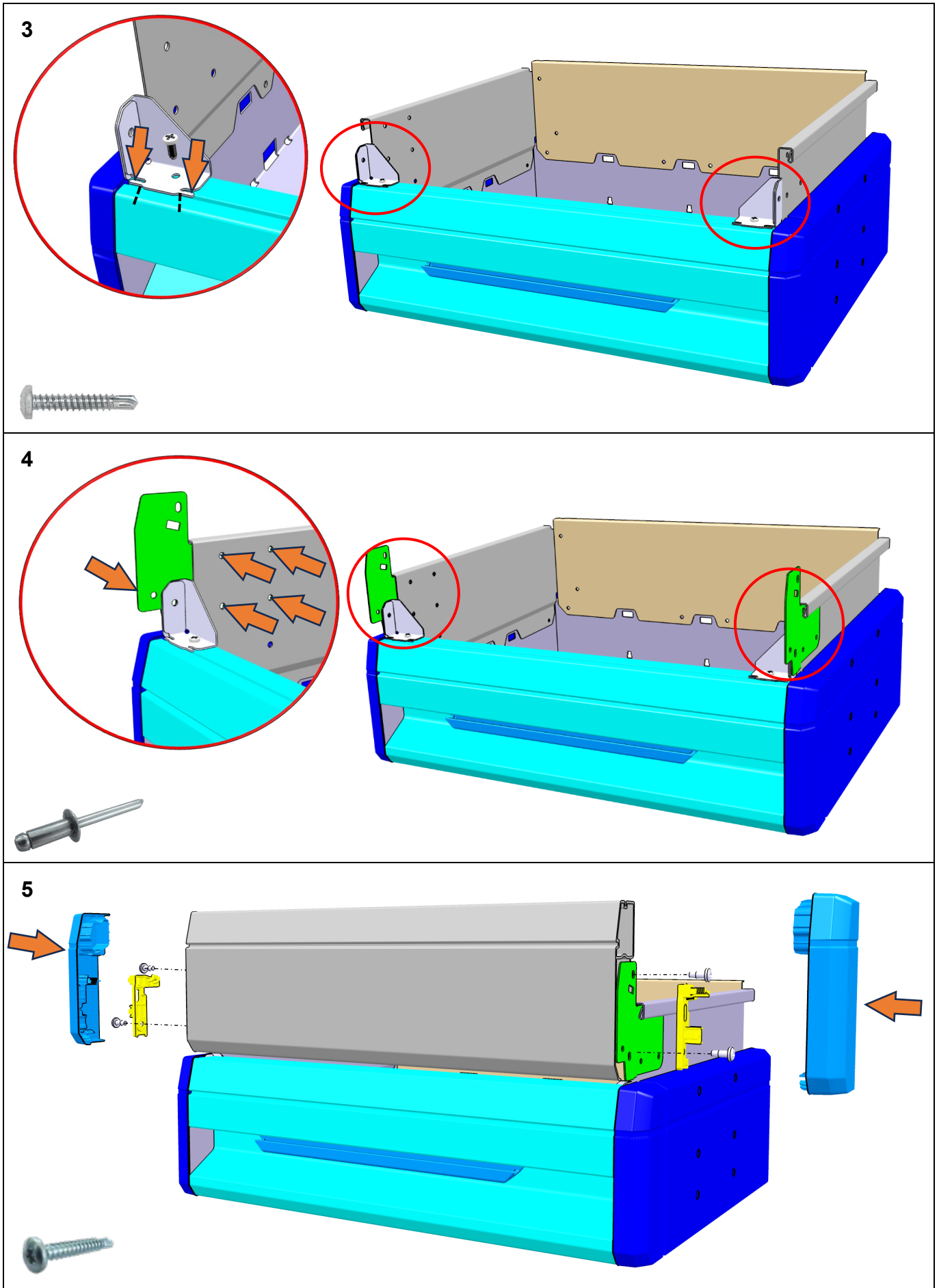


1

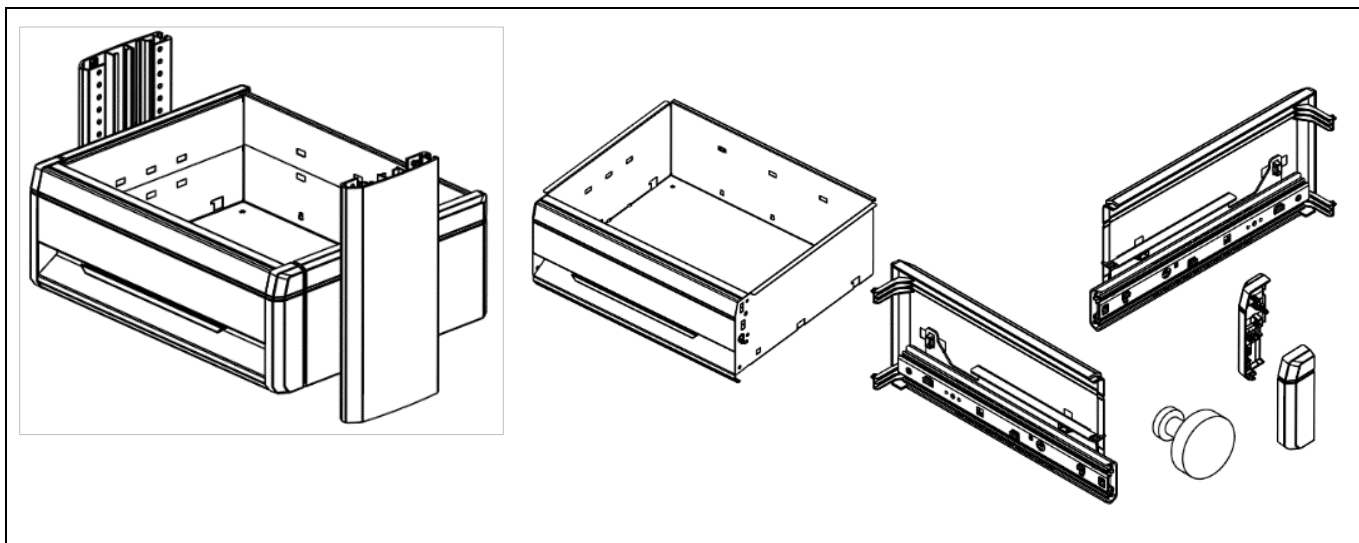


2





Installing H8/H10/H12 drawers



M6x16
7.5 Nm



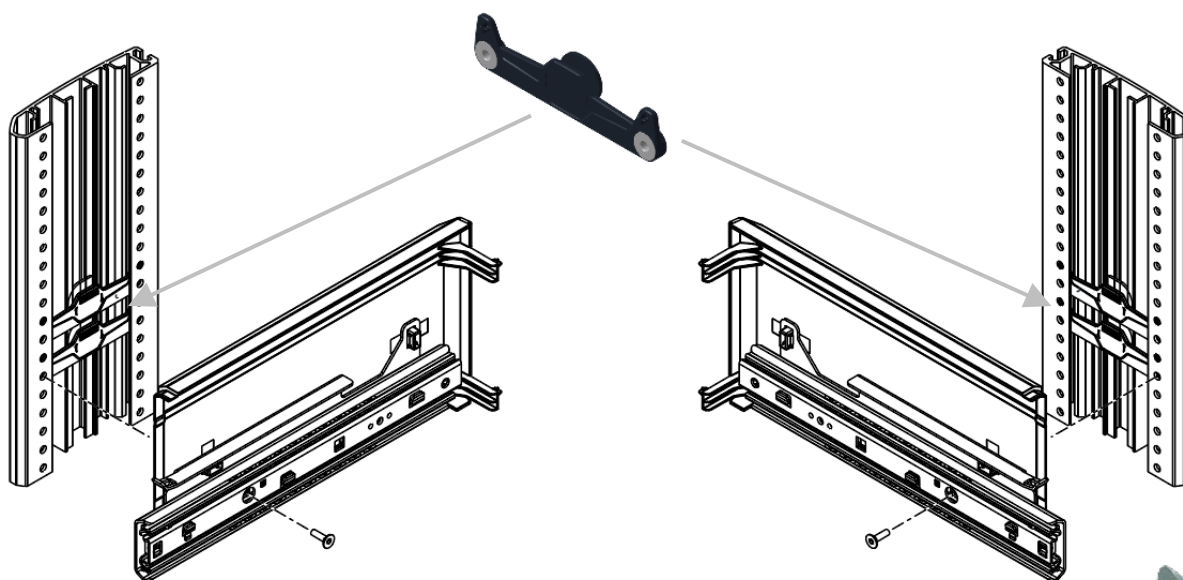
M6x16
7.5 Nm



4x



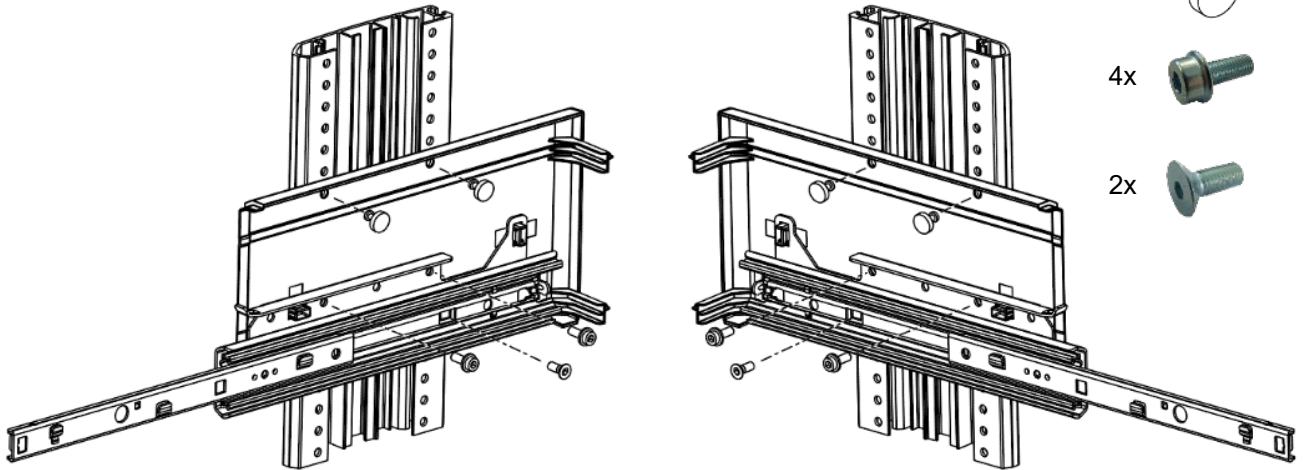
1



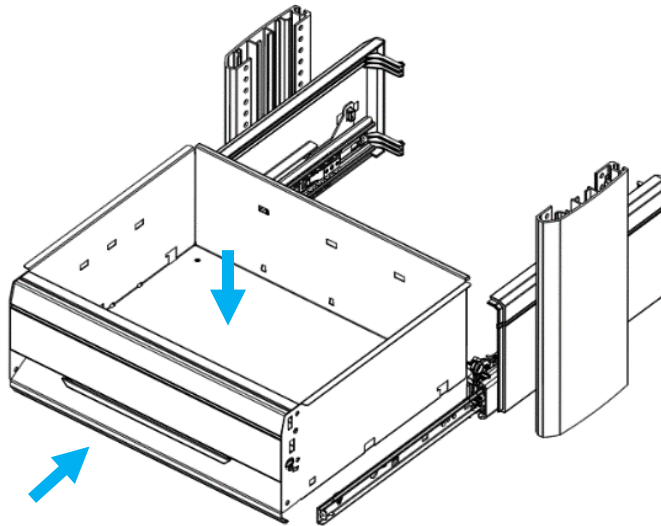
2x



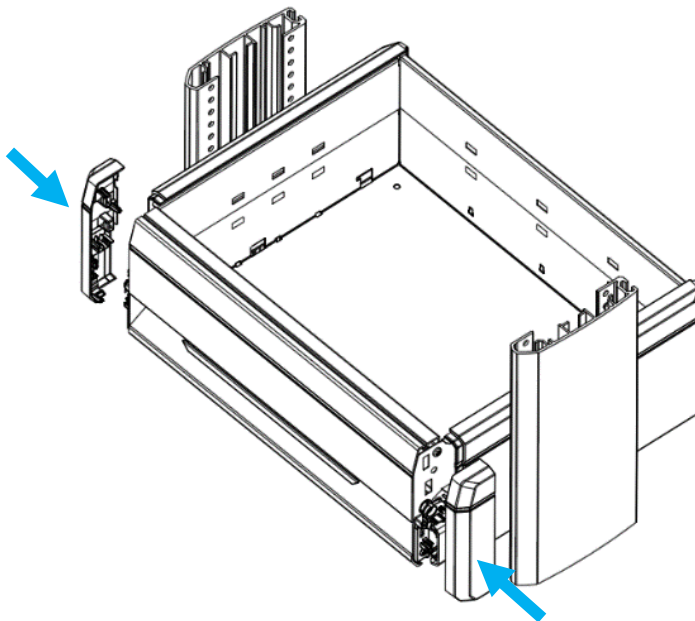
2



3



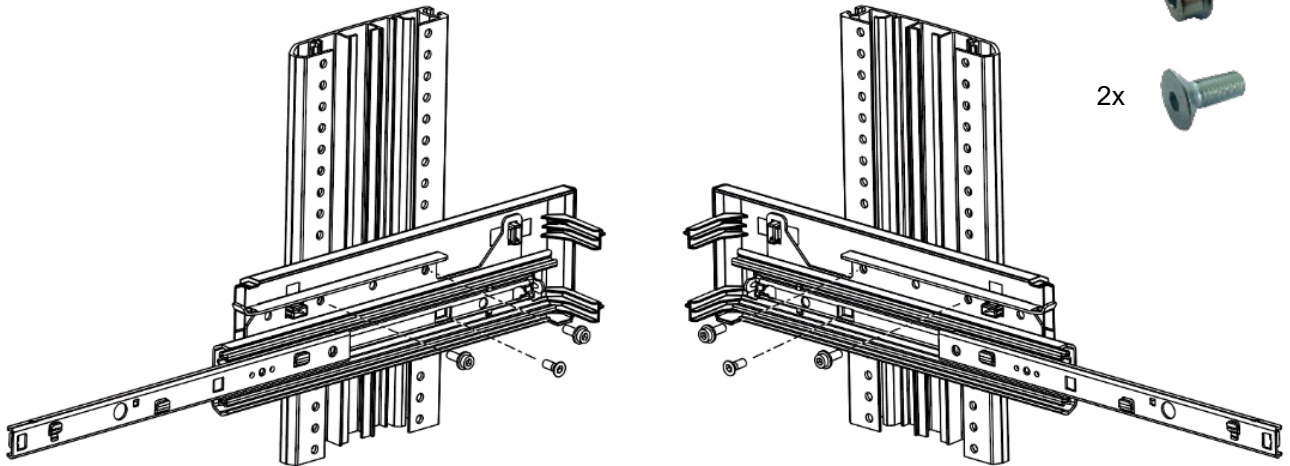
4



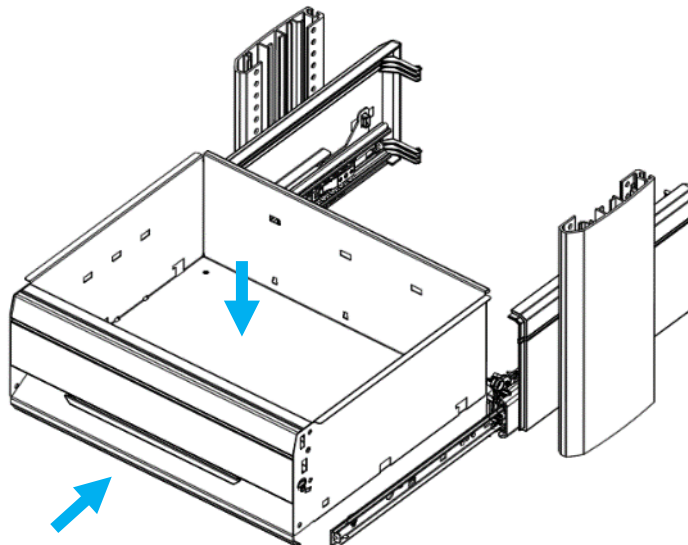
Installing H6 drawers

<p>M6x16 7.5 Nm</p>	<p>M6x16 7.5 Nm</p>	
<p>1</p>		

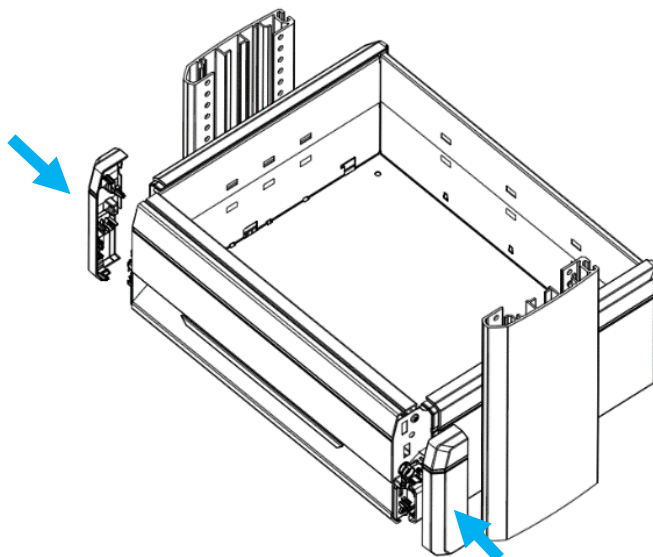
2



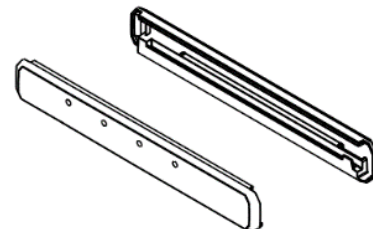
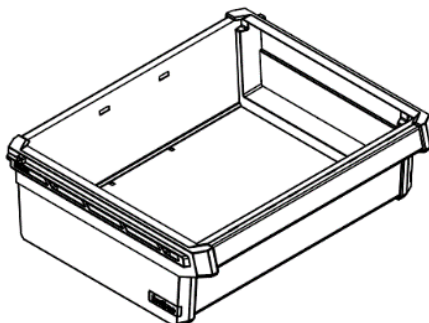
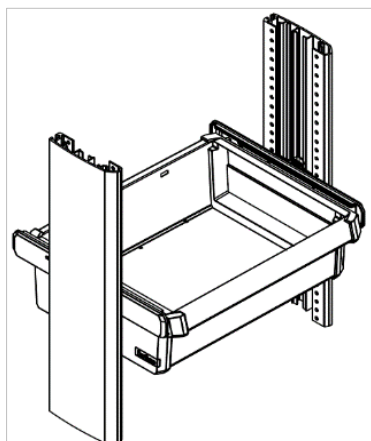
3



4



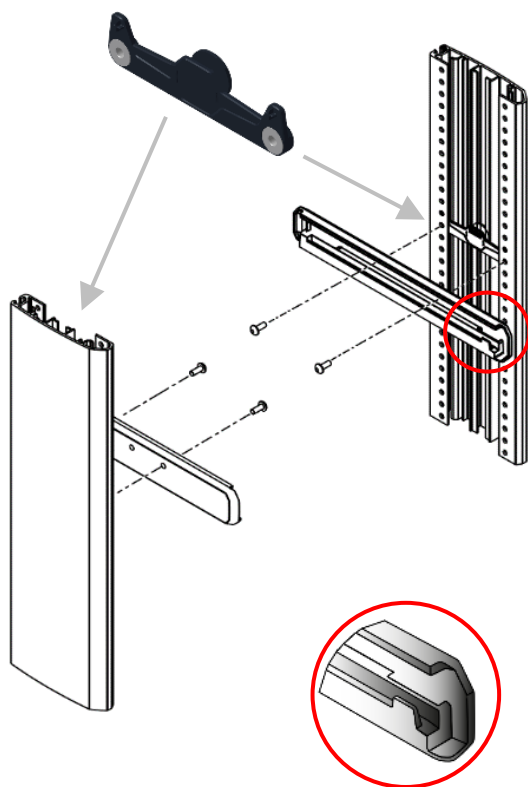
Installing SR drawers



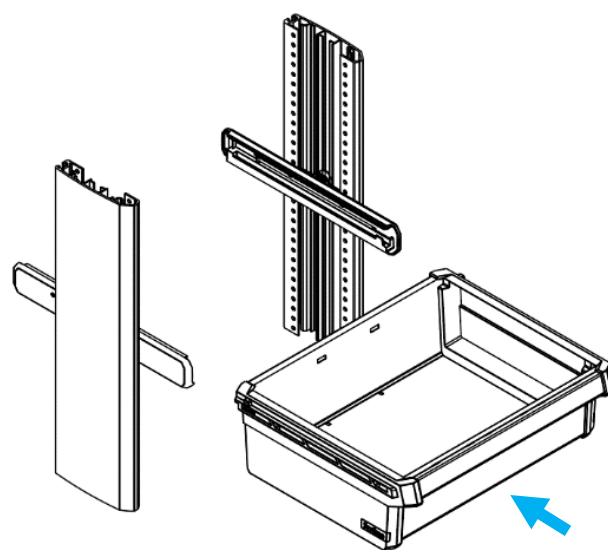
M6x16
7.5 Nm



1



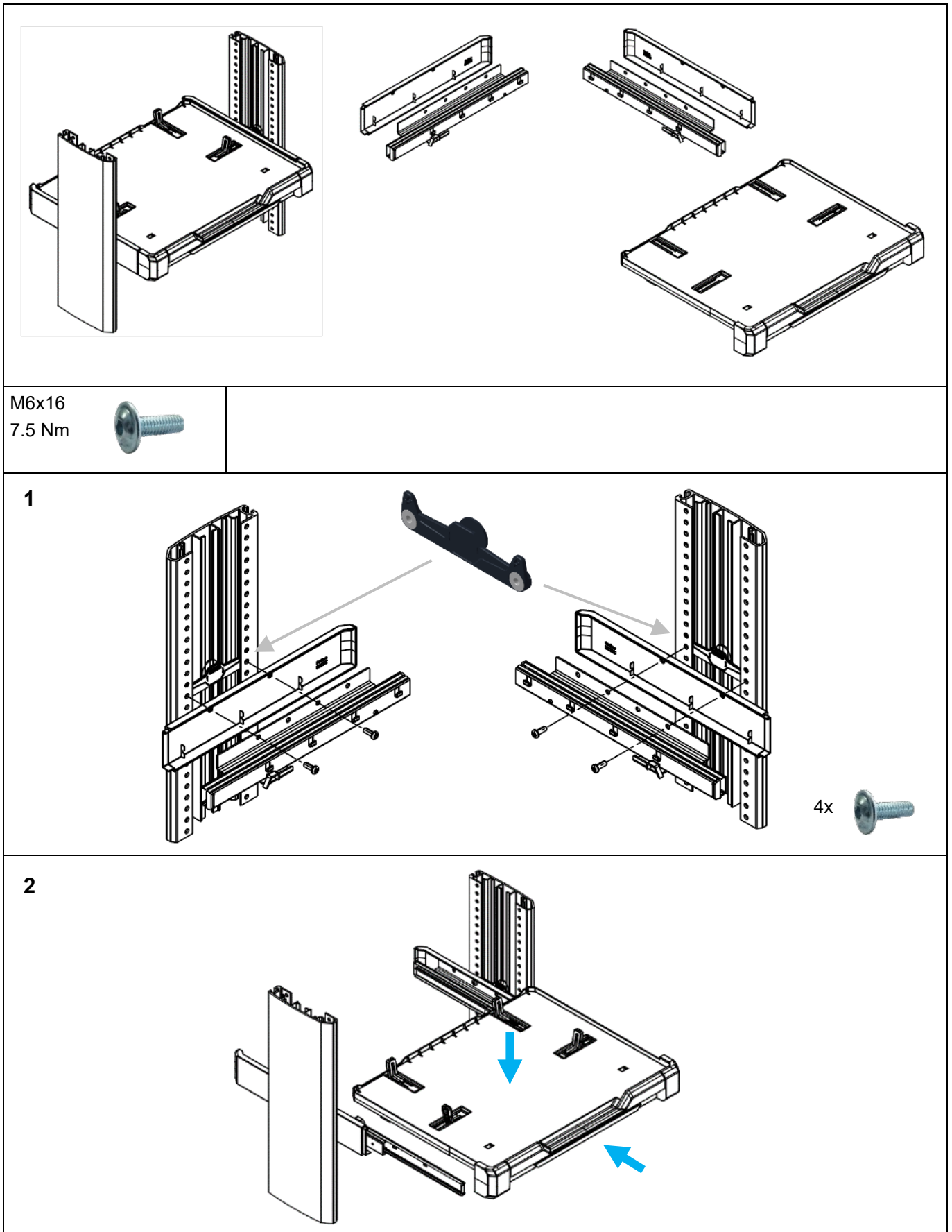
2



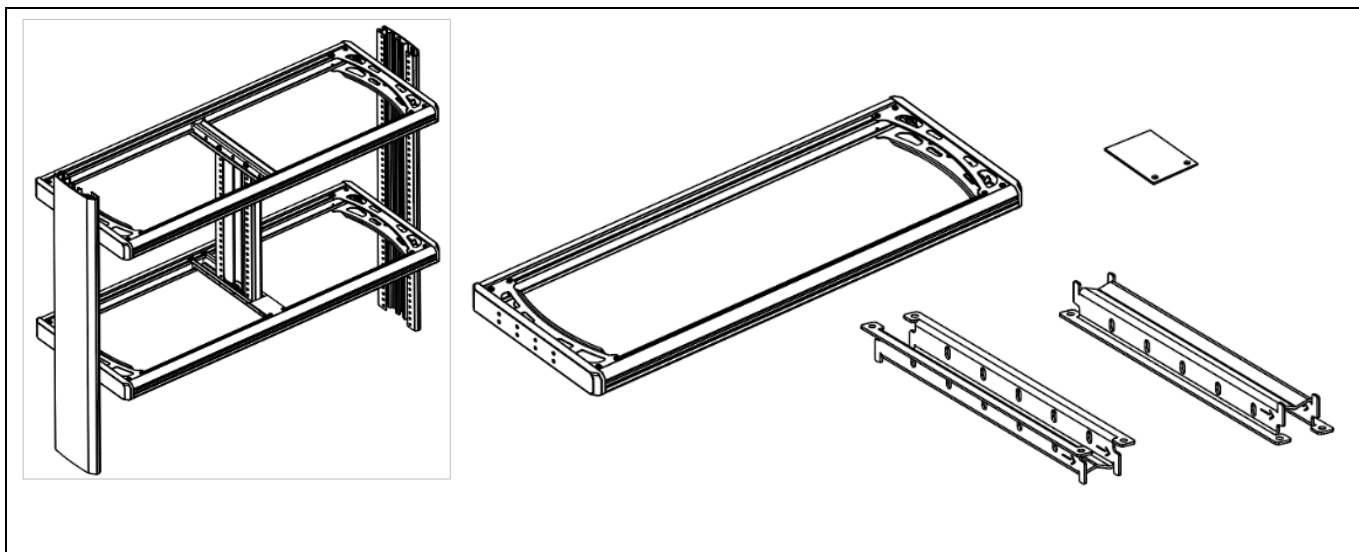
4x



Installing the MultiSlide



Installing the field subdivision – frame + frame



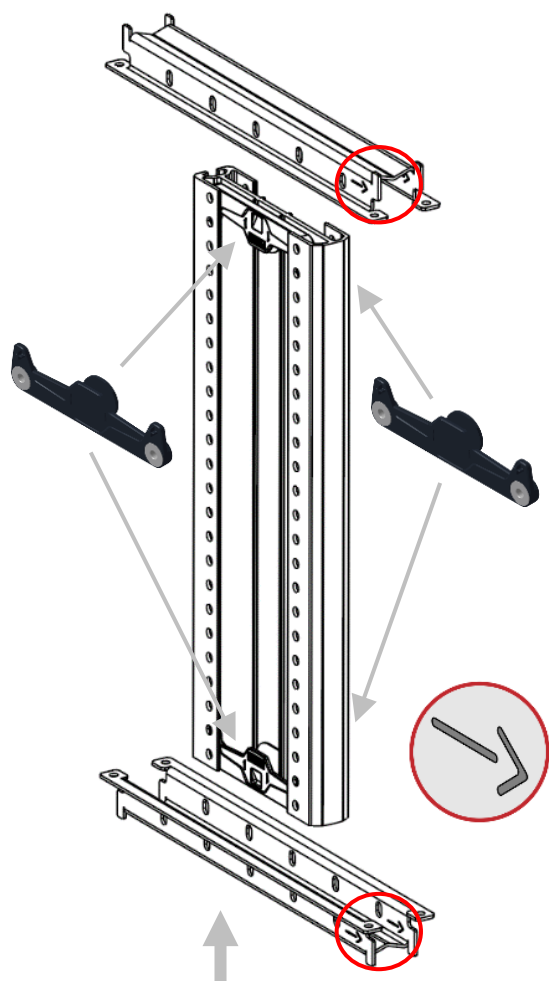
M6x16
7.5 Nm



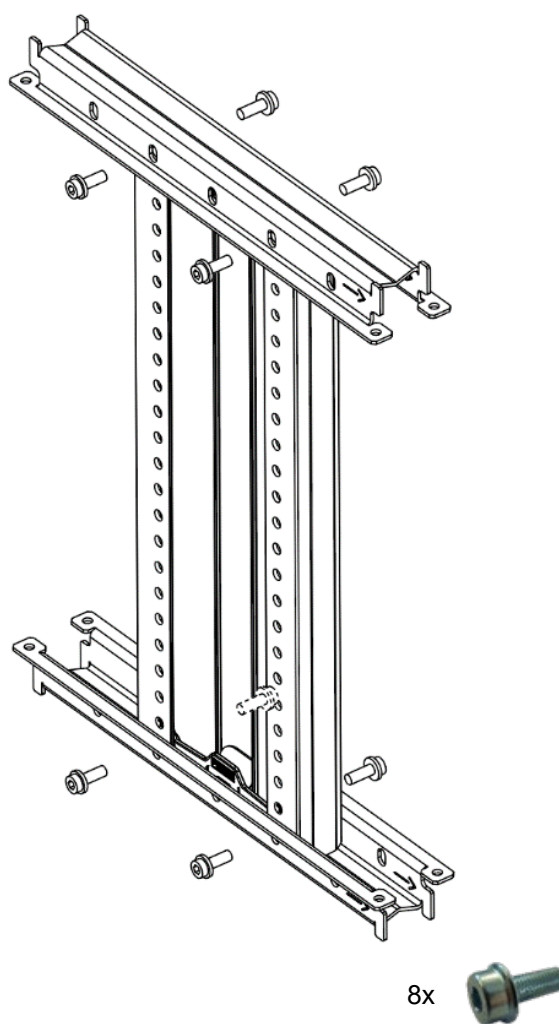
M4.8x16
4.5 Nm



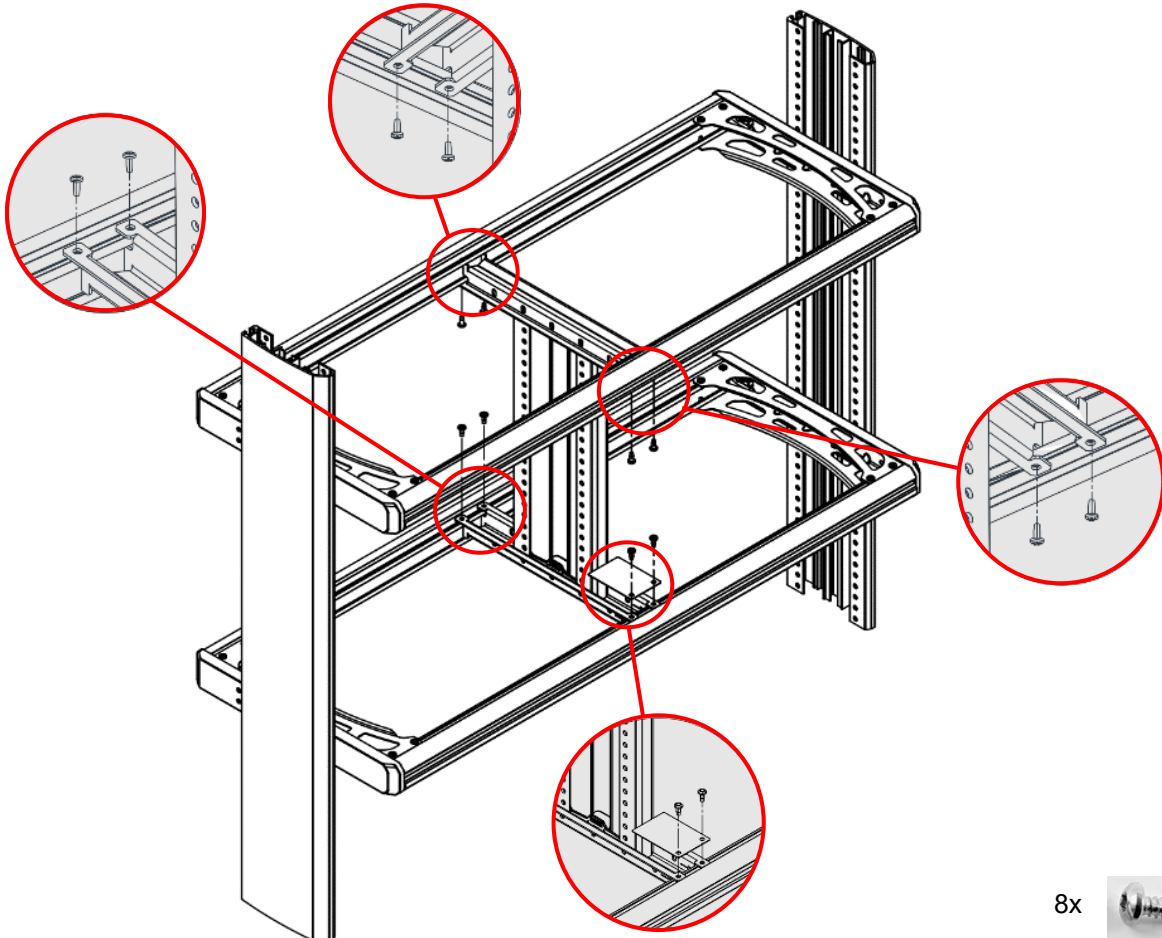
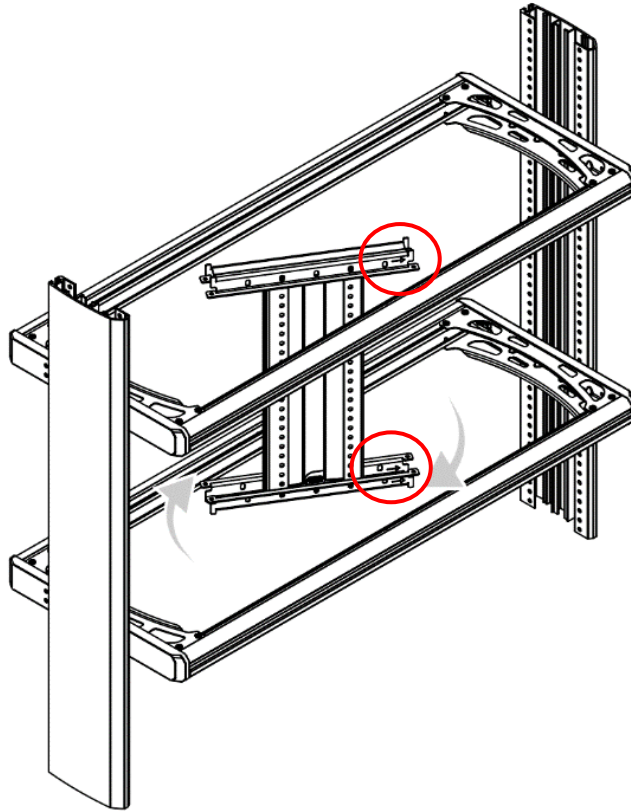
1



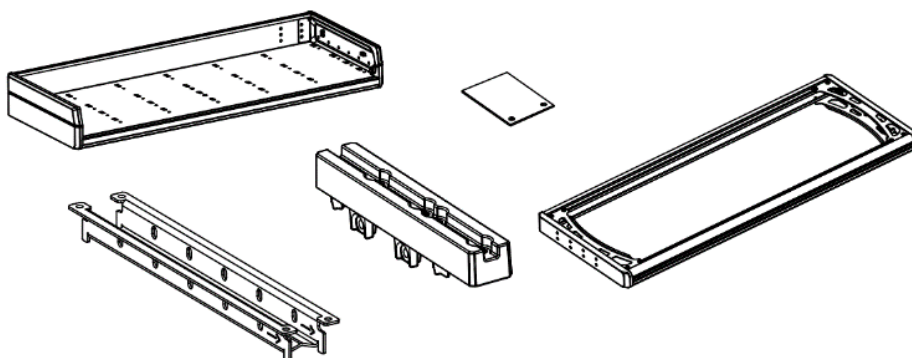
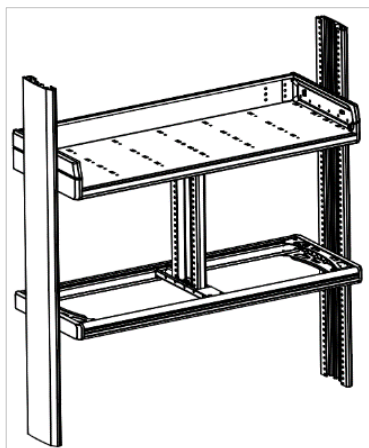
2



3



Installing the field subdivision – frame + shelf



M6x16
7.5 Nm



M4.8x16
4.5 Nm



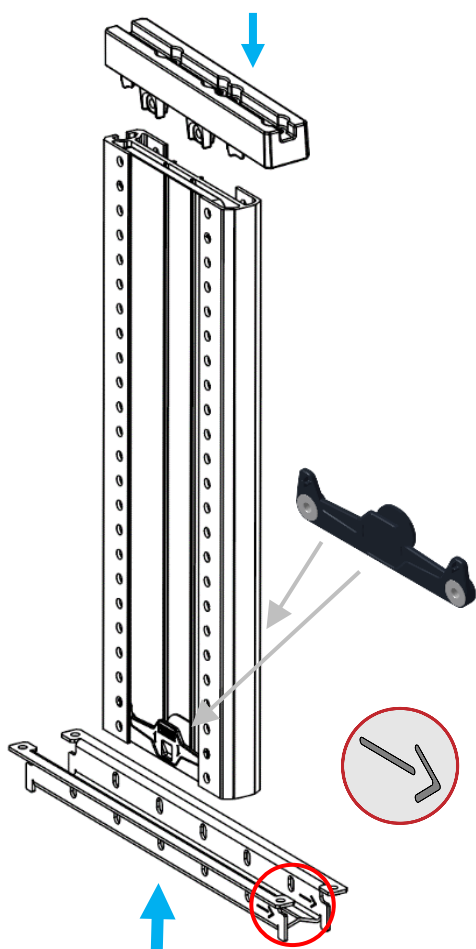
M4.8x25
5.5 Nm



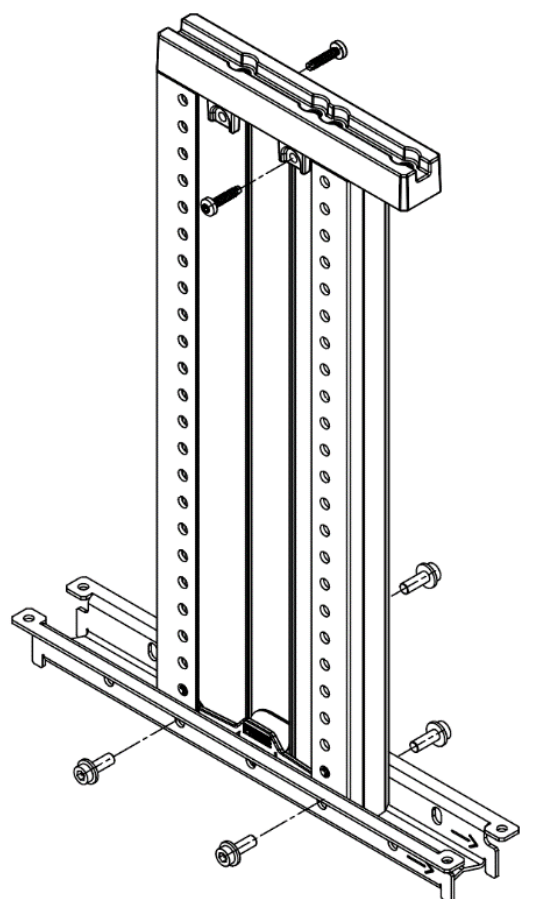
M6x20
7.5 Nm



1

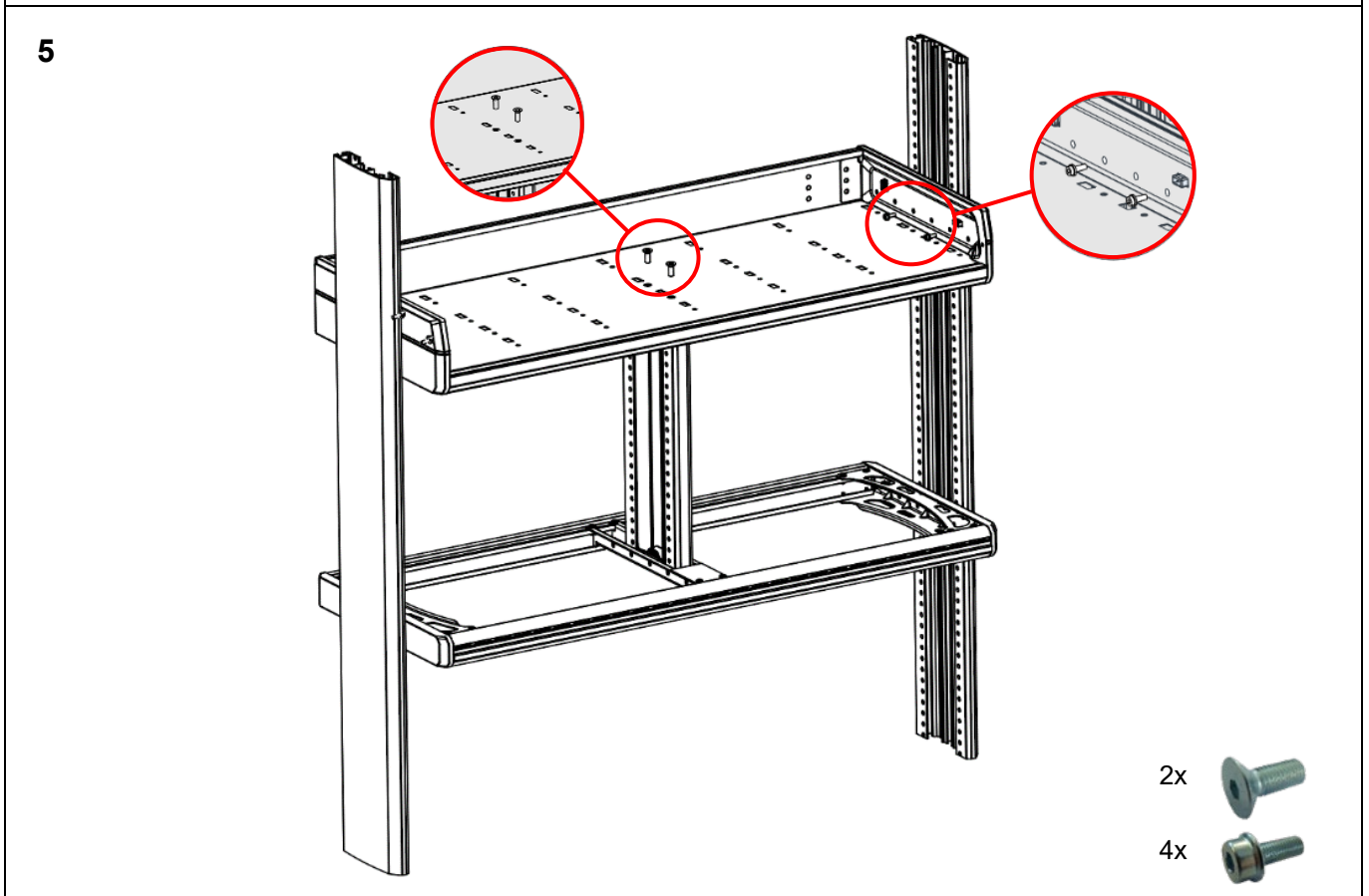
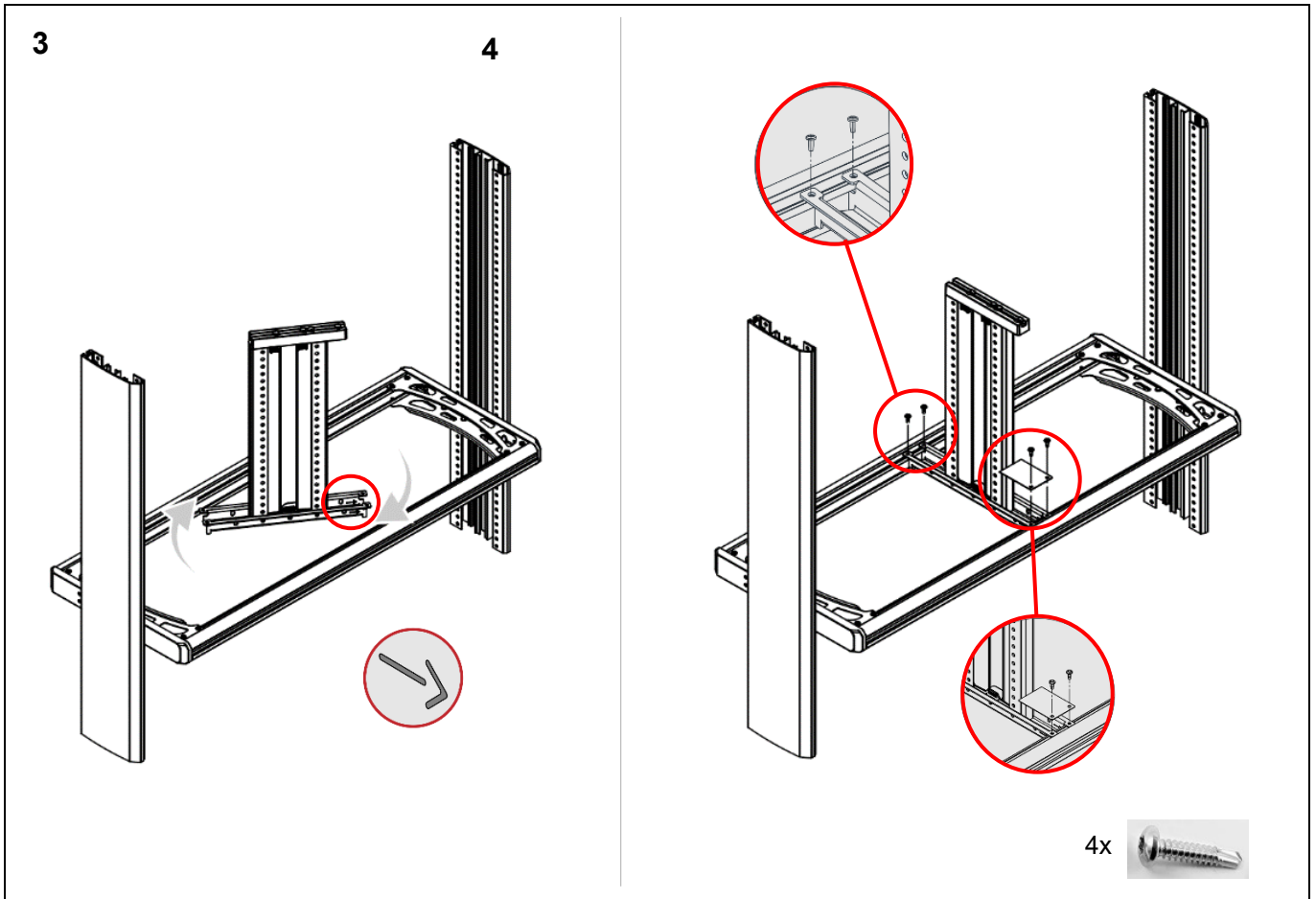


2



2x 

4x 



Installing the case fixation

<p>M6x16 7.5 Nm</p>	<p>M6x30 7.5 Nm</p>	
<p>1</p> <p>4x </p>	<p>4x </p>	
<p>2</p> <p>4x </p>		

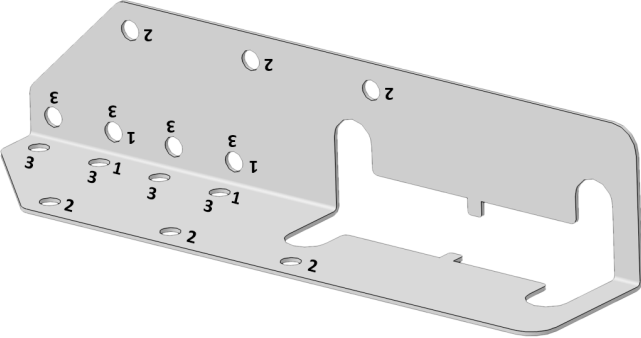
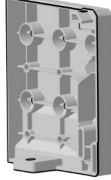


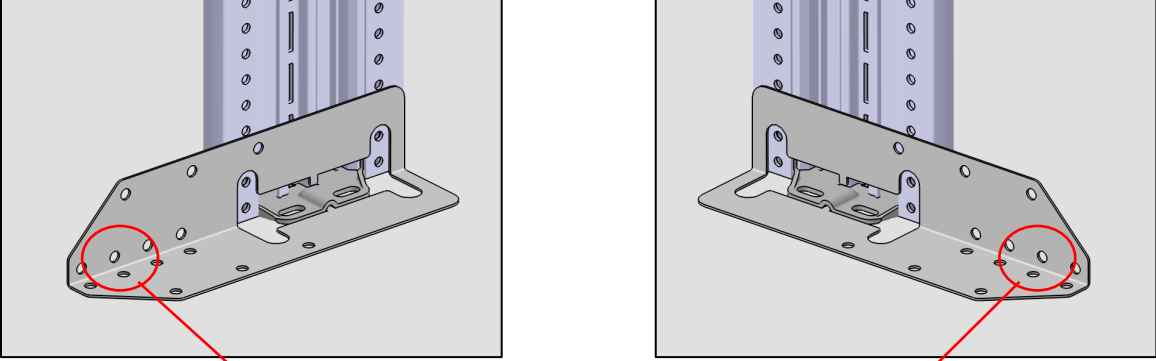
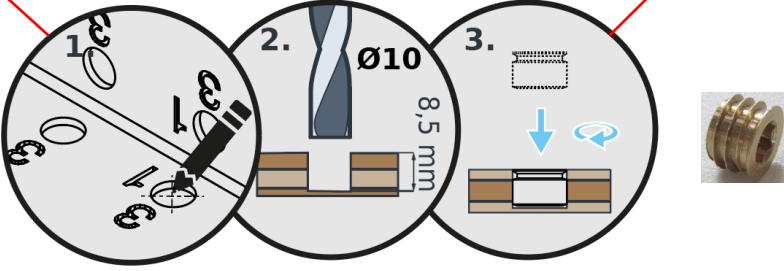
Floor flap

There are two options for attaching the side part floor flaps: from the top (1) in floor cladding using the screw-in sleeve or from the bottom (2) in the floor cladding using tap-in nuts.

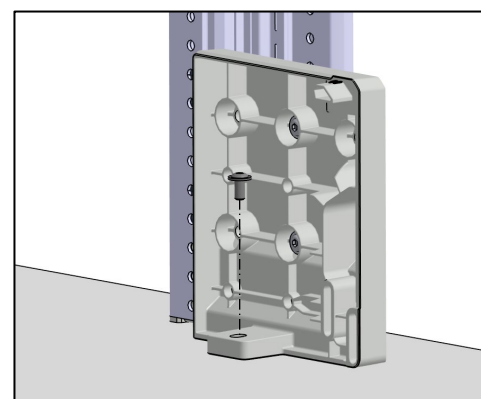
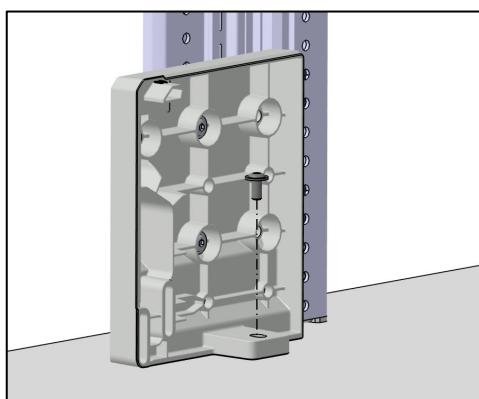
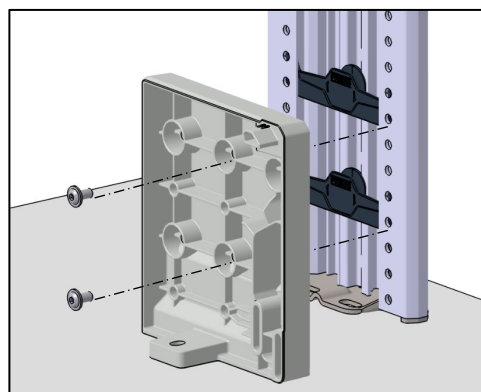
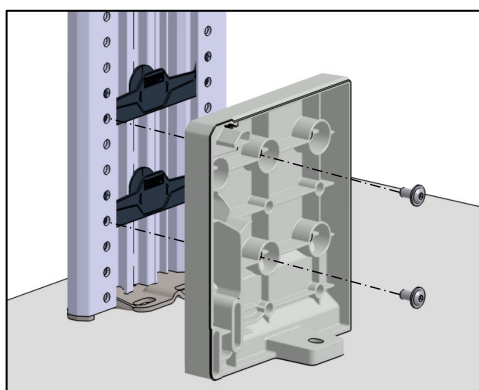
Note:

An installation template is available for installing the floor flap and floor lashing rail
Ref. No.: 1000019307.

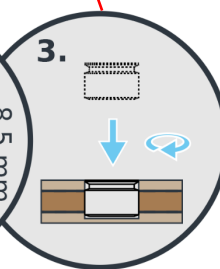
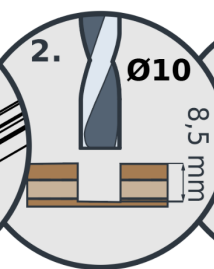
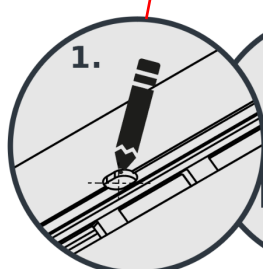
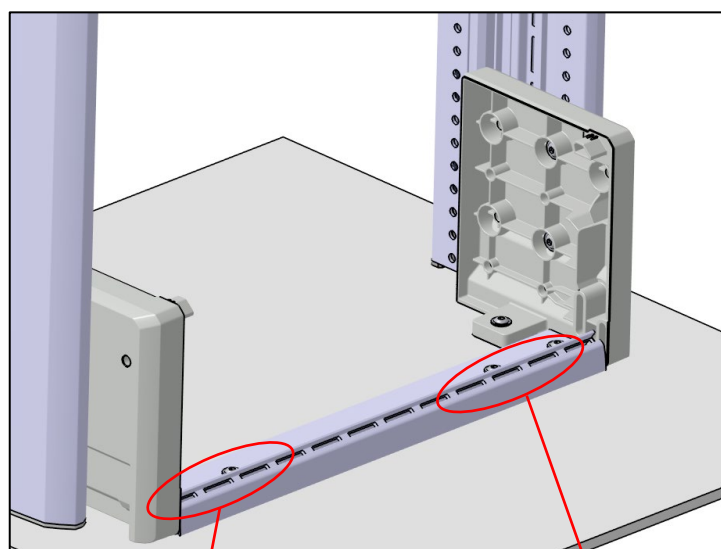
Installation with drilling template

<p>(1, 2)</p> 	<p>(1)</p>  <p>(2)</p>  
<p>1</p>  	

2



3

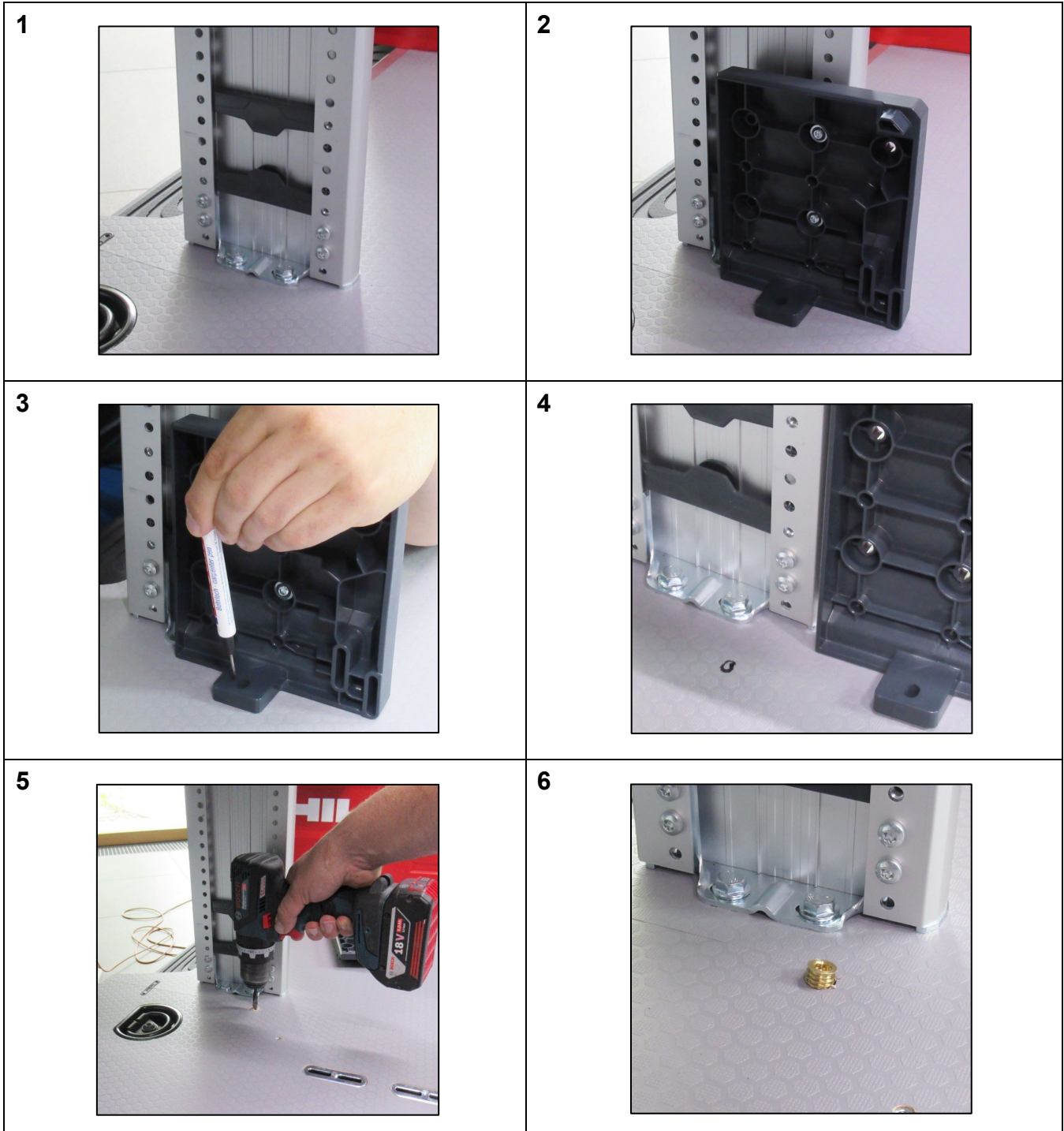


Installation without drilling template

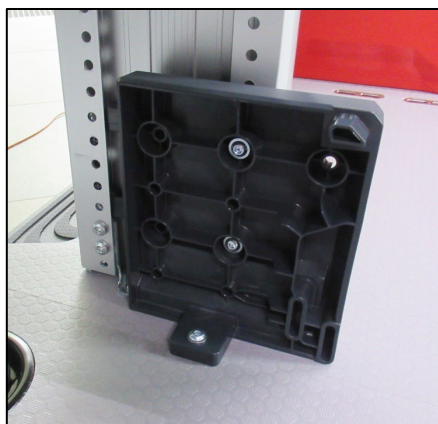
Mounting from above:

To mount the side parts from above, using screw-in sleeve M6 12x8 type SKD art. no.: 1000013951.

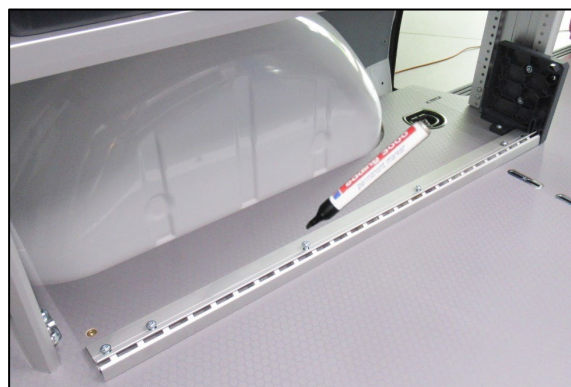
Pre-drilling: Ø 10 mm



7



8 (3, 4, 5, 6)



9



10



11



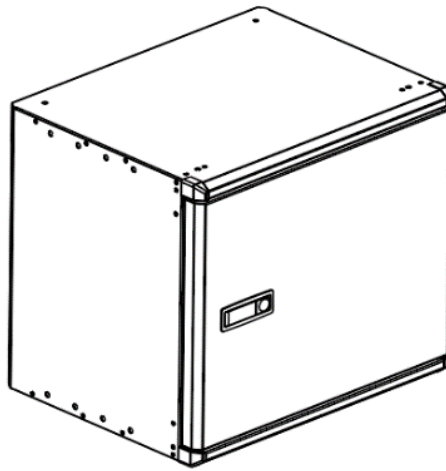
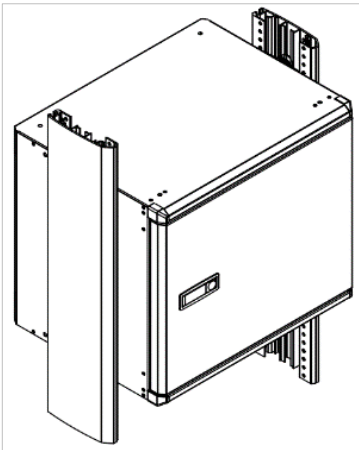
Mounting from below:

To mount the side parts from below, using tap-in nut M6x9 galvanised (FL19) art. no.: 71008428.

The installation is similar to mounting from above, but here only the position of the floor flap and floor lashing rail are marked from above, and the floor flap is drilled in a dismantled state and the tap-in nuts are inserted from below.

The floor cladding must be disassembled again for this.

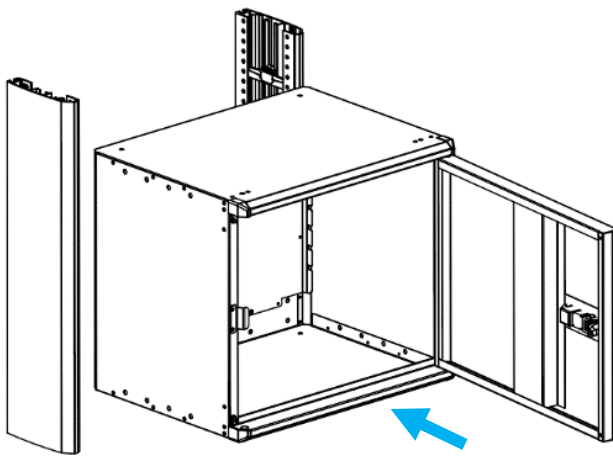
Universal cabinet



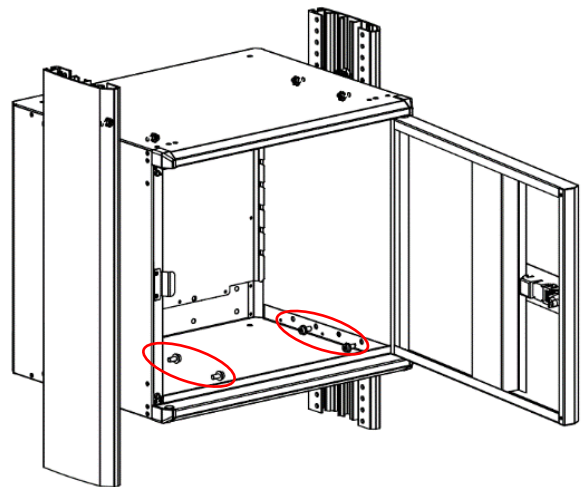
M6x12
7.5 Nm



1



2



8x

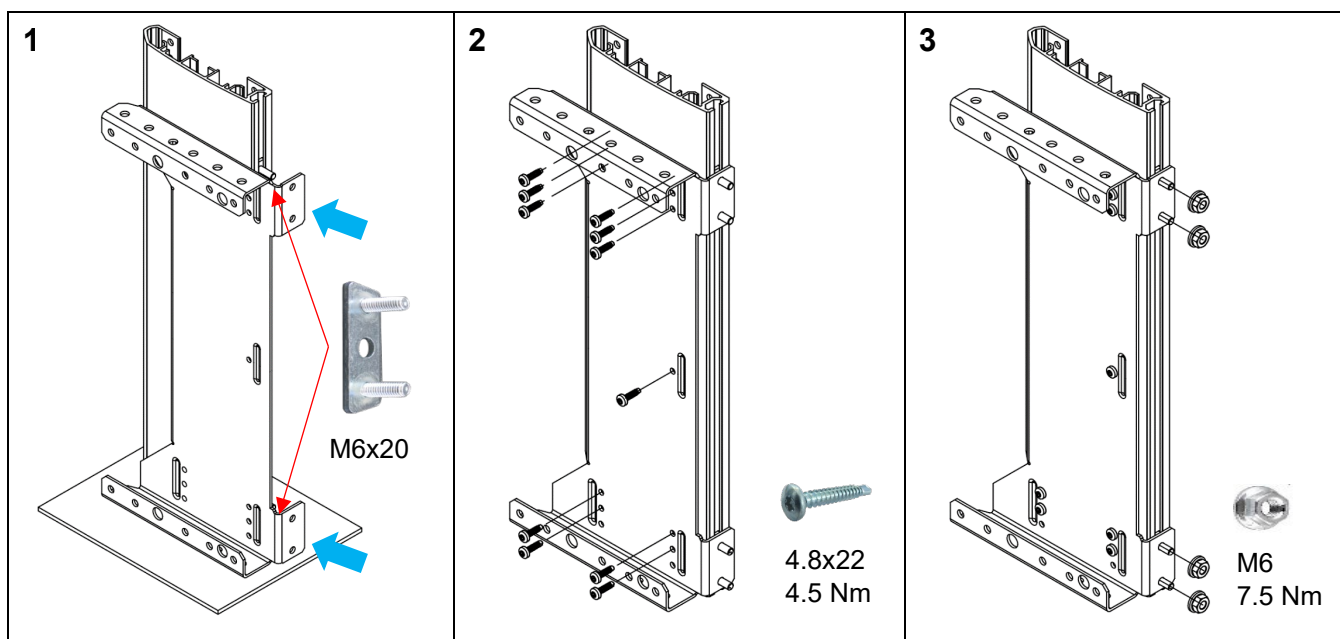
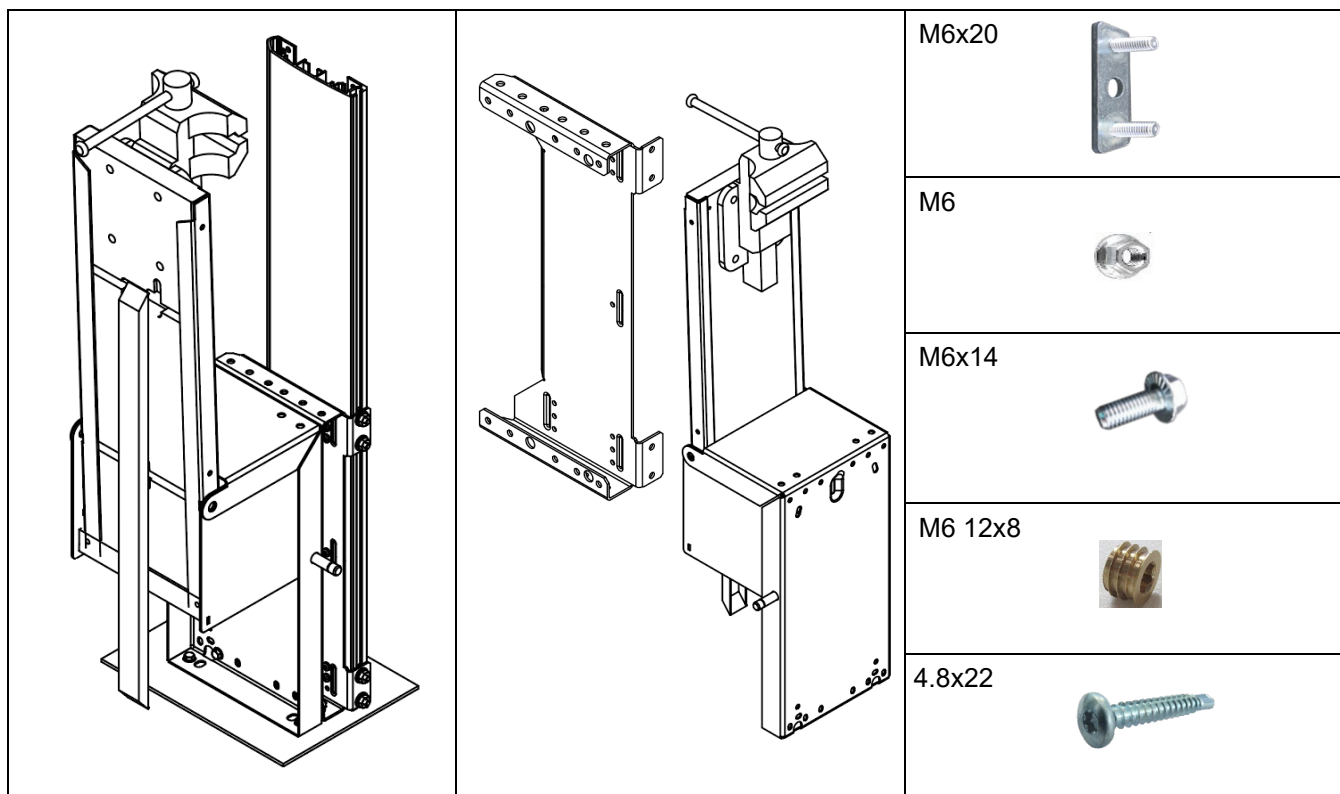


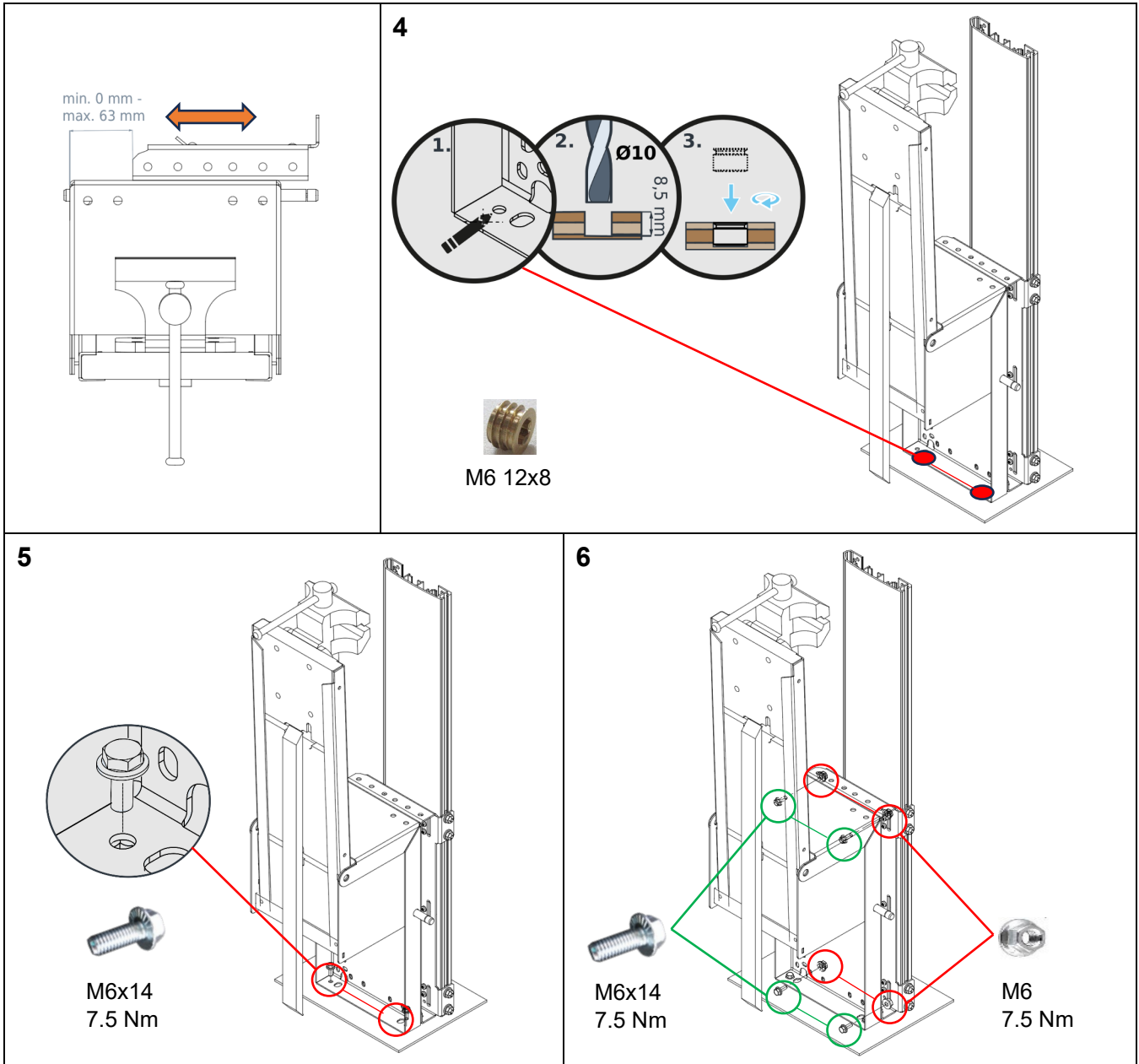
Hinged workbench



Information!

A frame or shelf needs to be fitted to ensure the stability of the side profile at a distance of three grids below and above, starting from the middle of the upper connection.



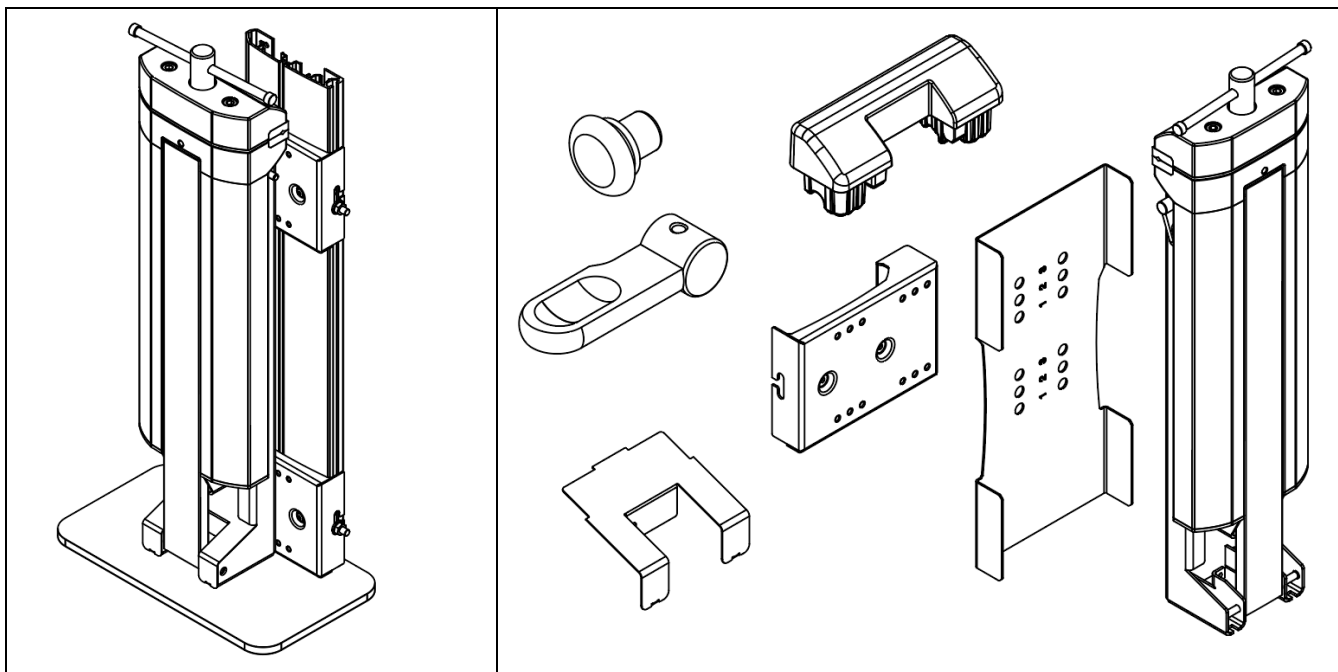


Folding parallel vice



Information!

A frame or shelf needs to be fitted to ensure the stability of the side profile at a distance of three grids below and above, starting from the middle of the upper connection.



M8x20



M8



M6x12



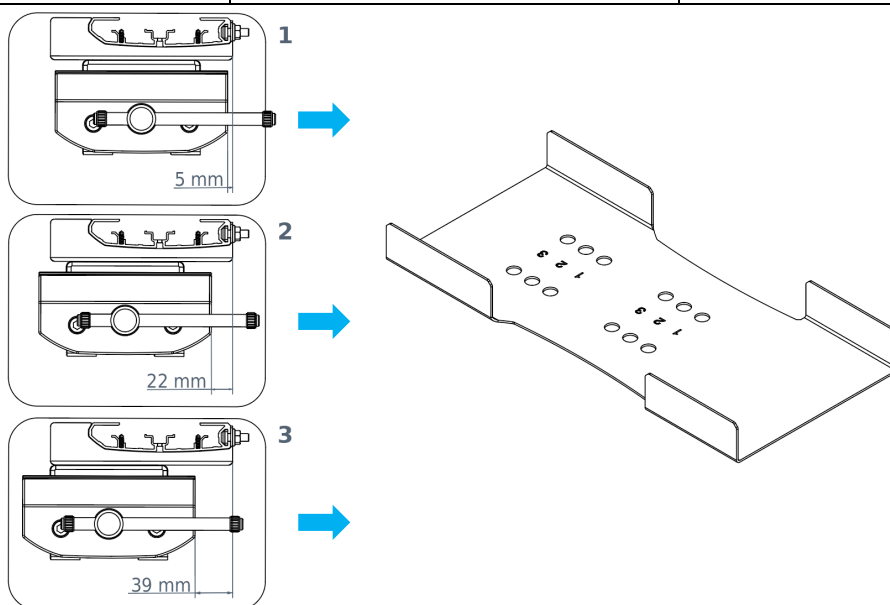
4.8x25

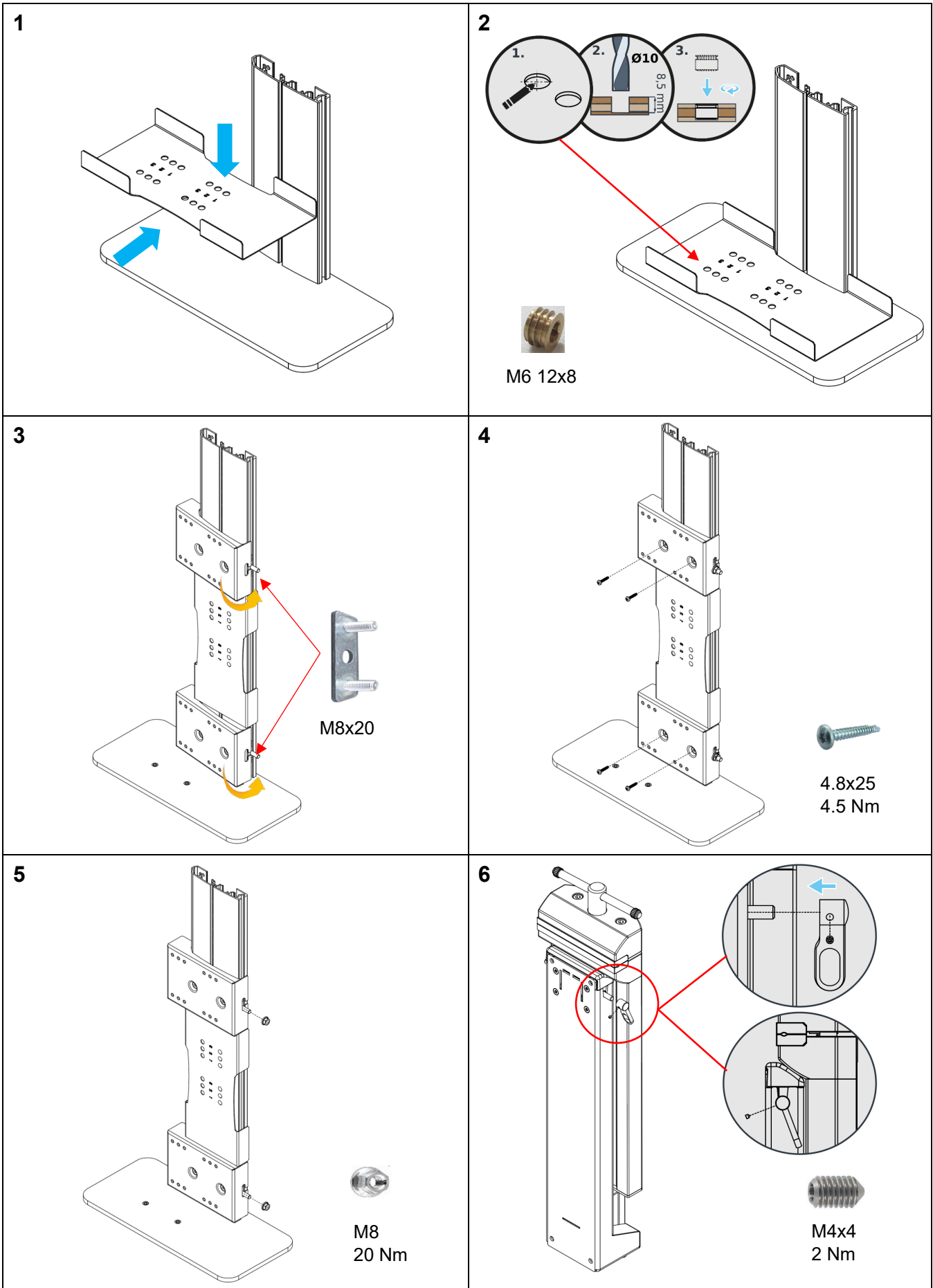


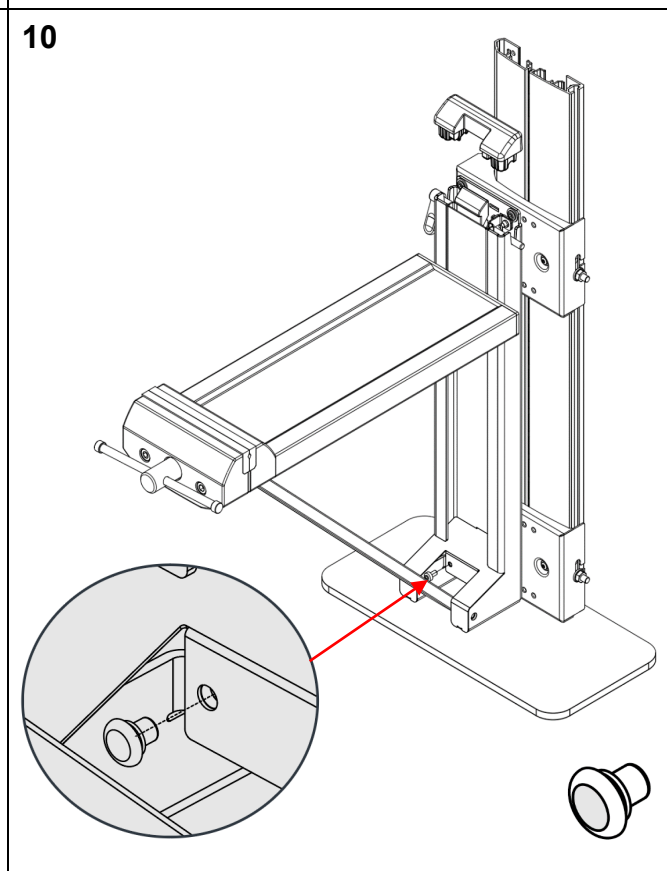
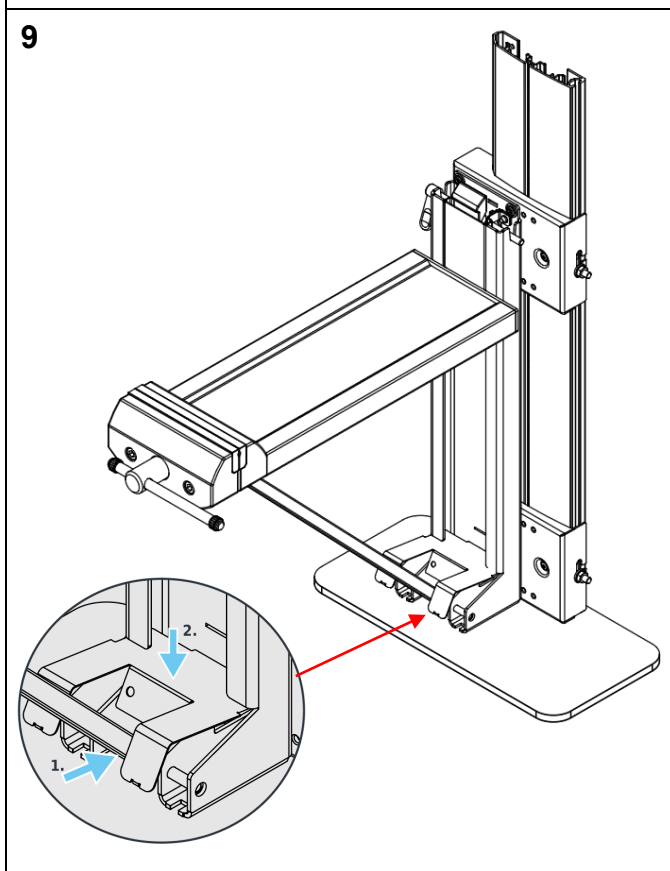
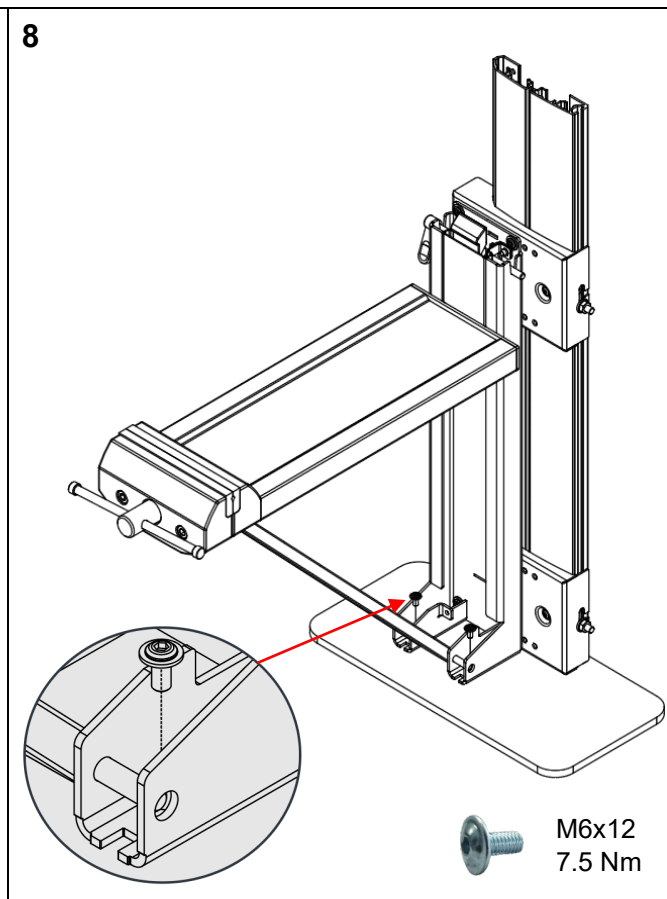
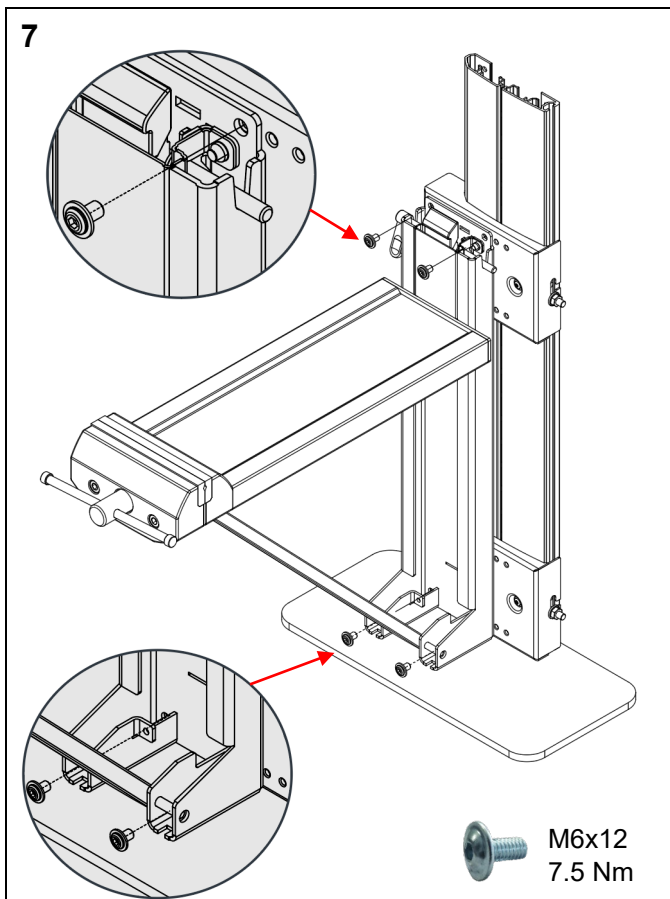
M6 12x8



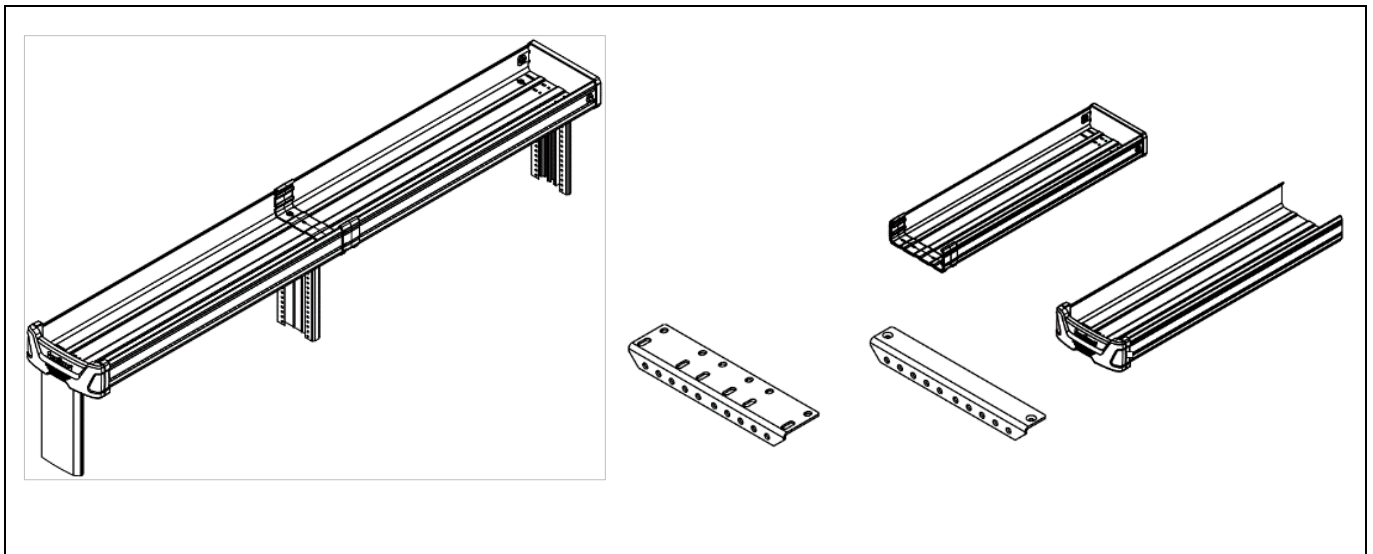
M4x4







Long components tray



M6x16
7.5 Nm



M6x16
7.5 Nm



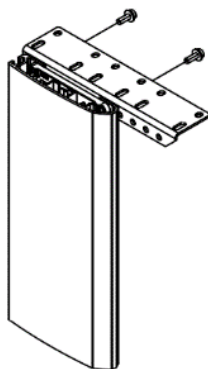
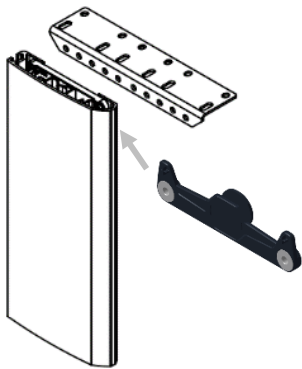
M6



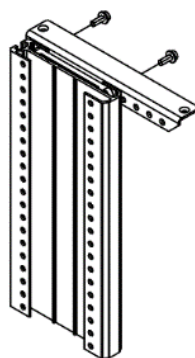
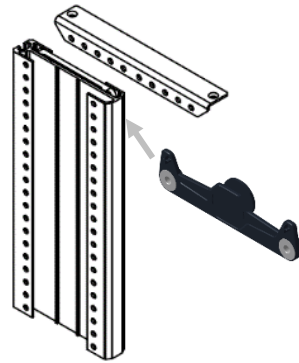
6.4x18x1.6



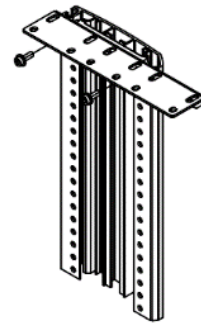
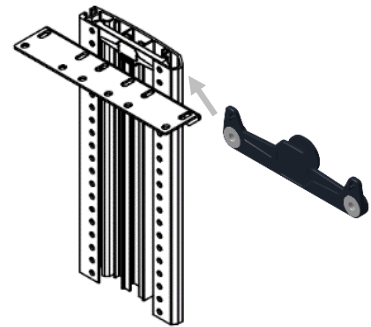
1



2x

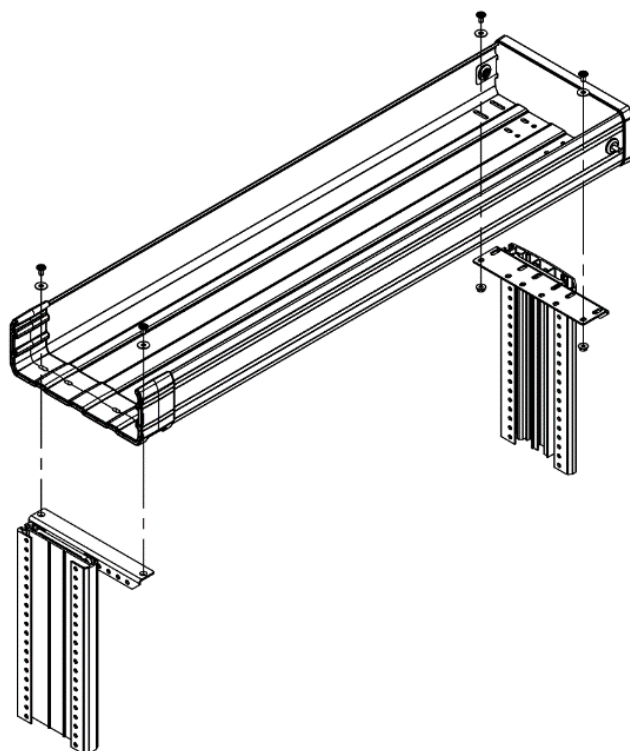


2x



2x

2



2x



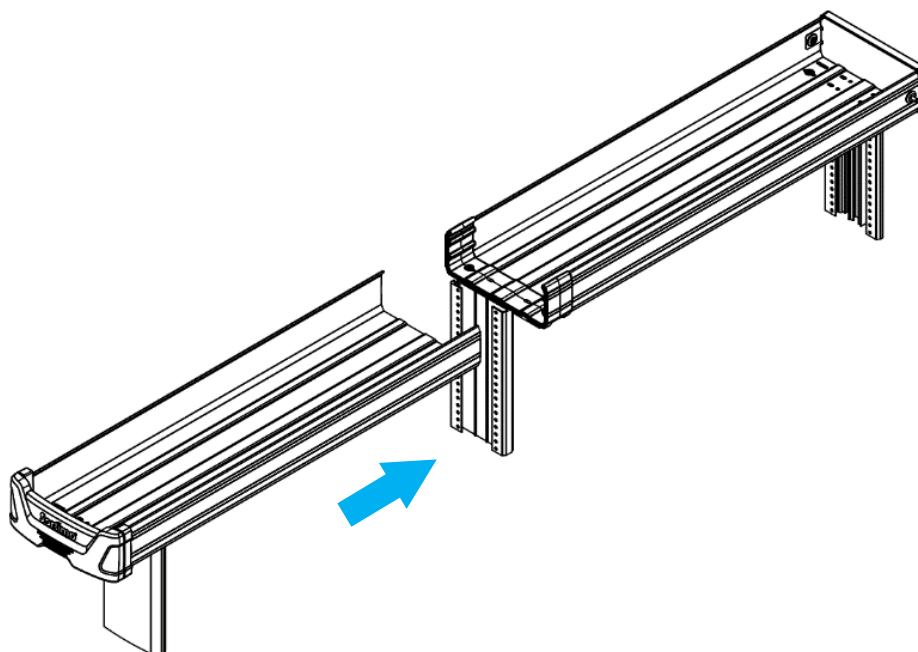
4x



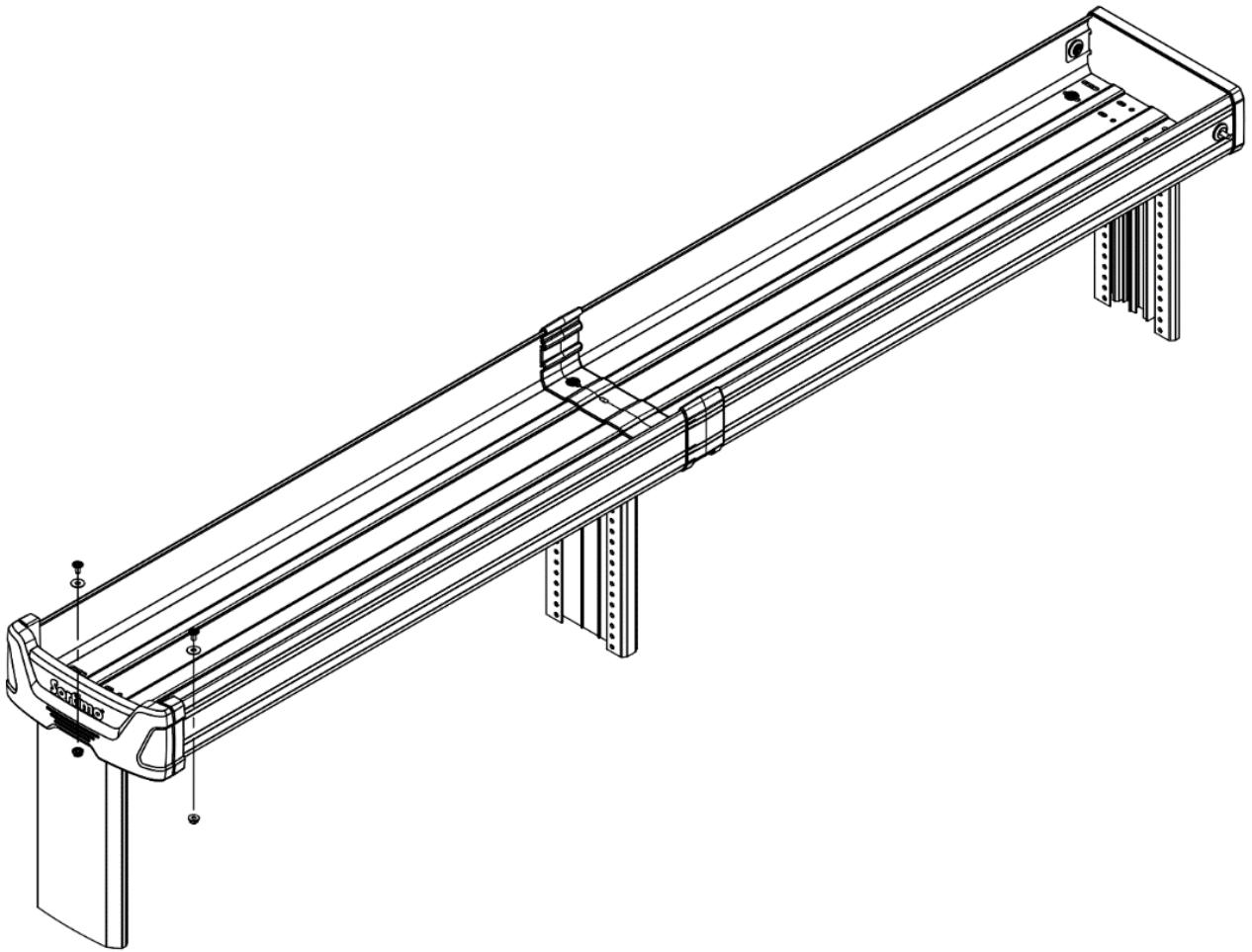
4x



3

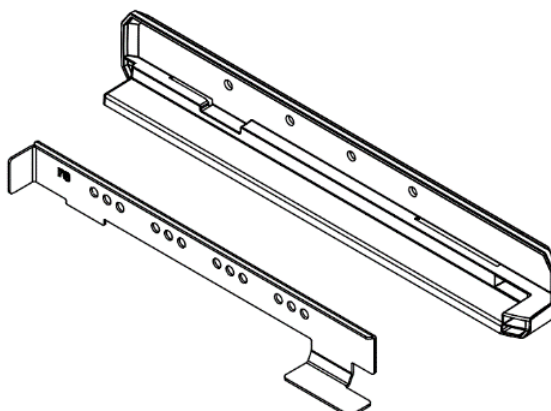
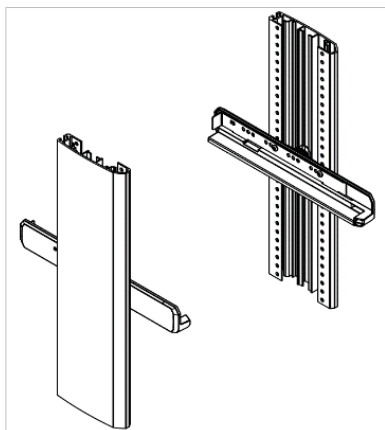


4



- 2x 
- 4x 
- 4x 

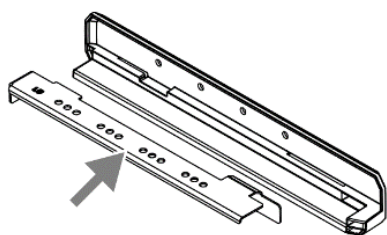
Service case rail



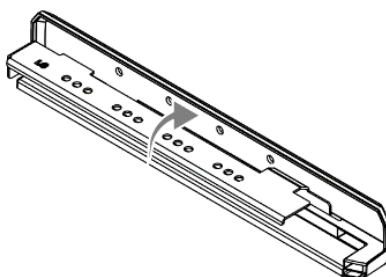
M6x16
7.5 Nm



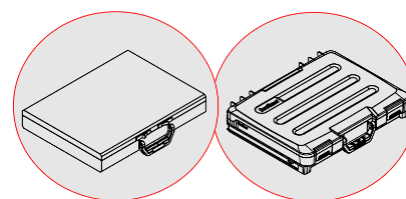
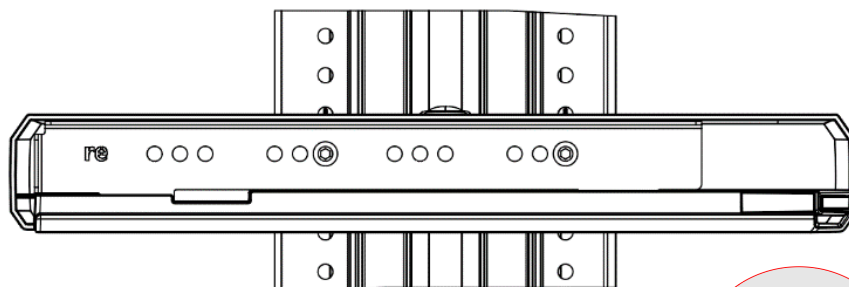
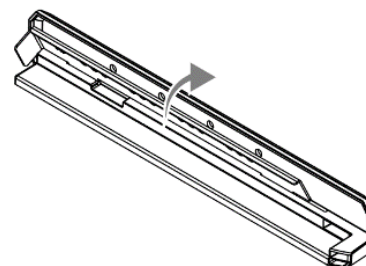
1

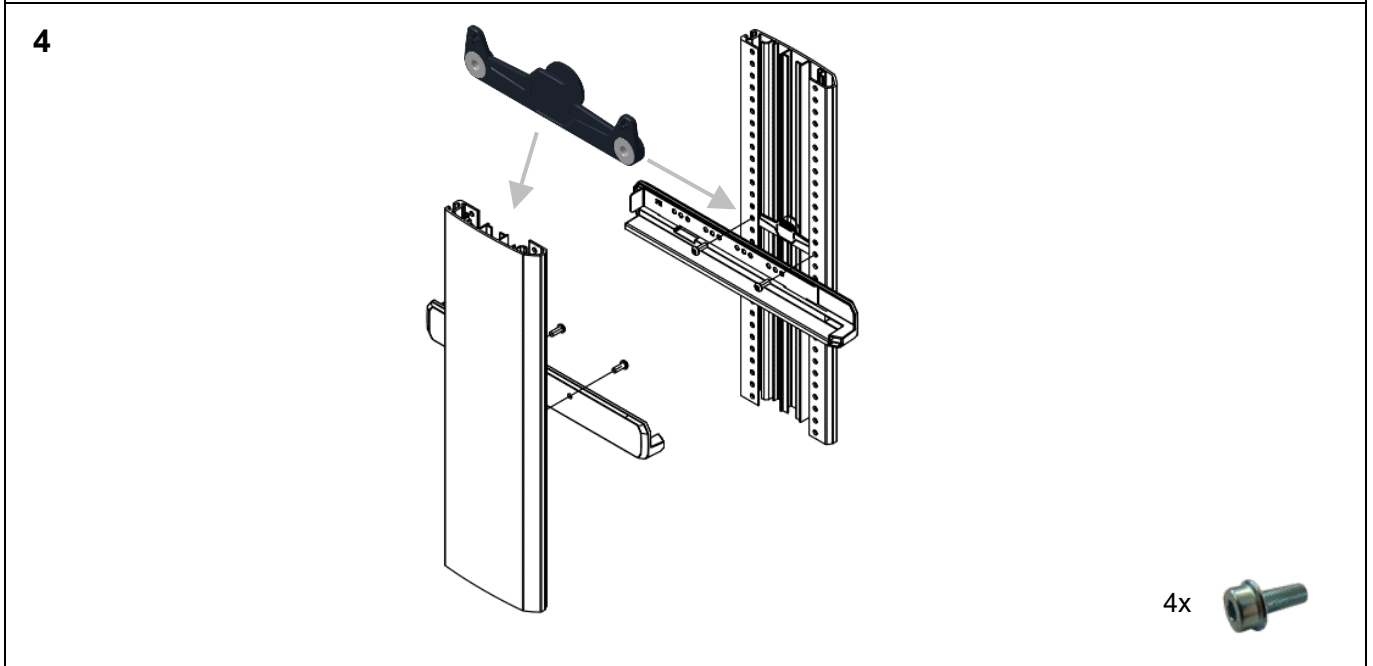
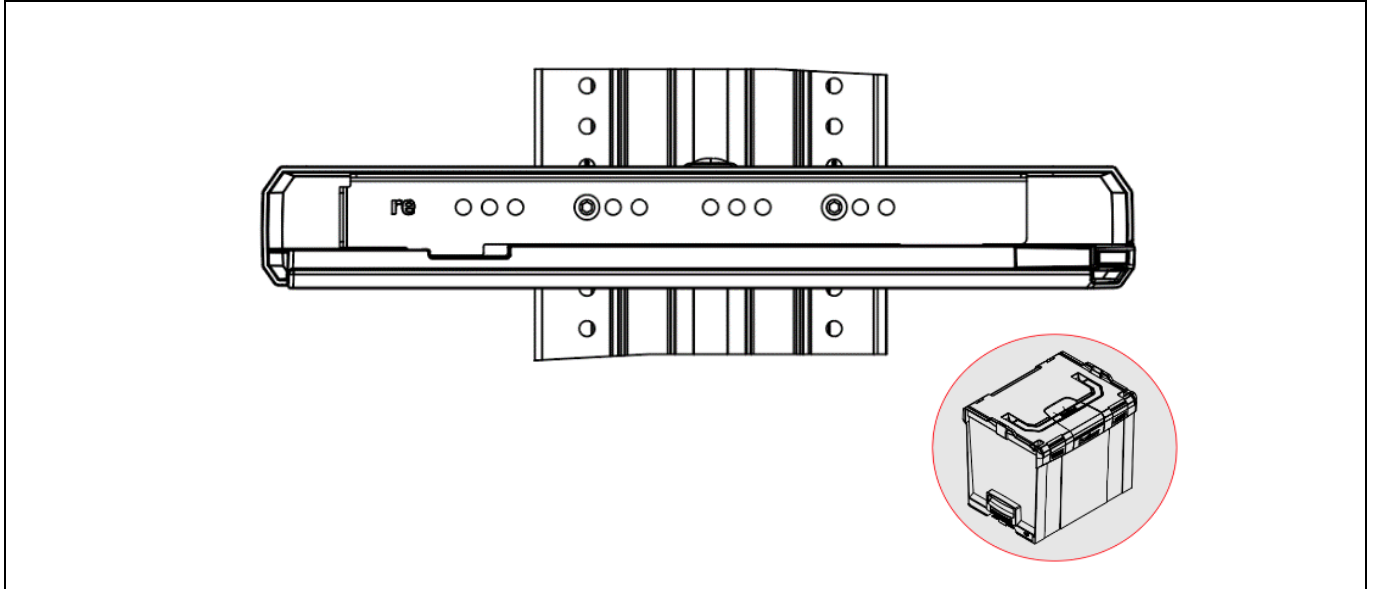
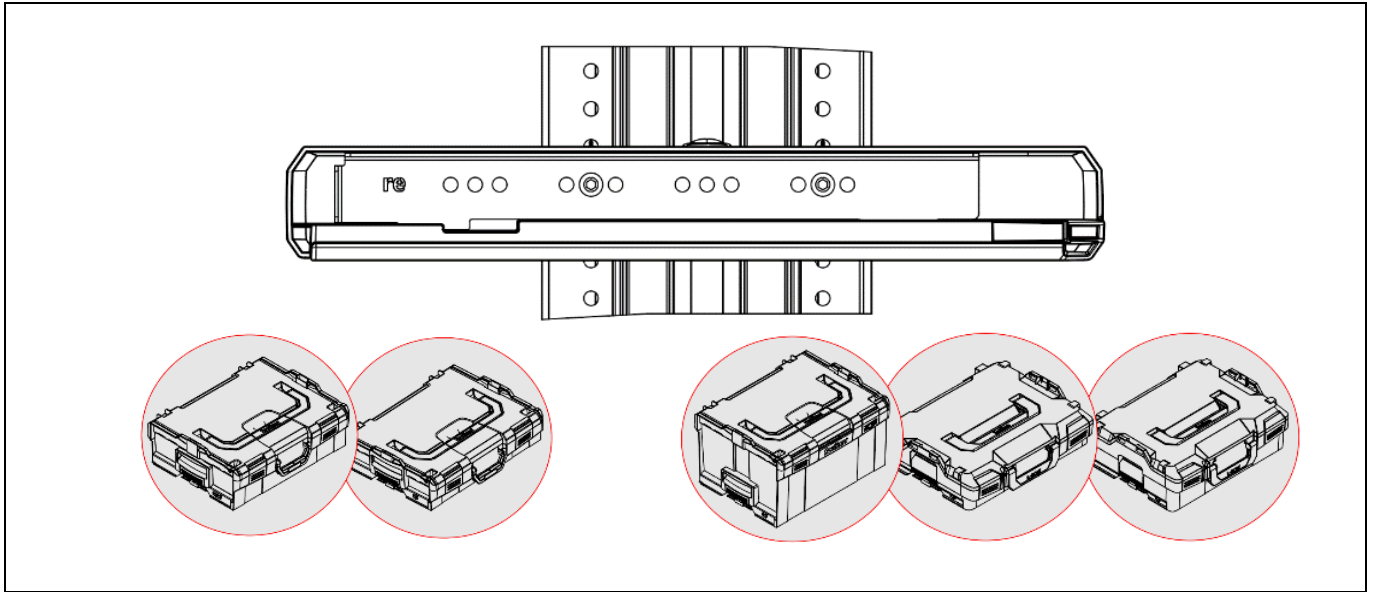


2



3



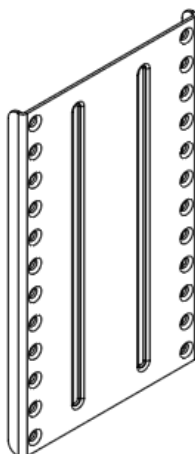
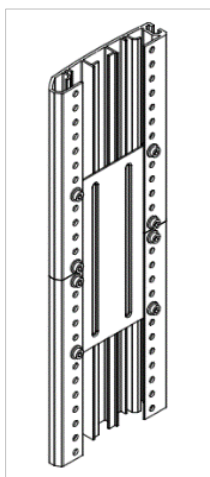


Side profile vertical connector



Information!

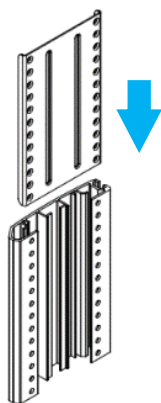
A max. of one vertical connector per profile may be installed. The expanded profile may not exceed a length of 500 mm or 30 grids. An additional wall mounting is required for components that are installed above the vertical connector.



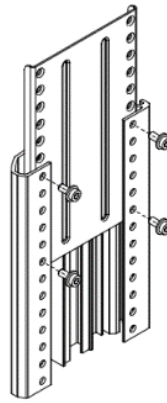
M6x12
7.5 Nm



1

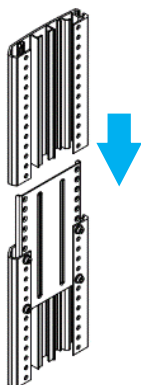


2

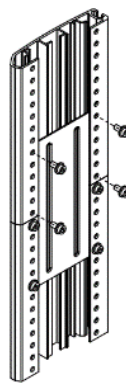


4x 

3



4



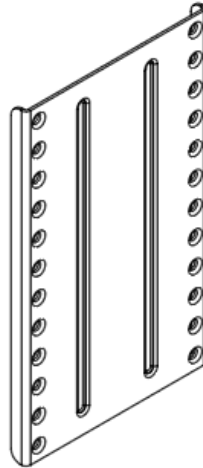
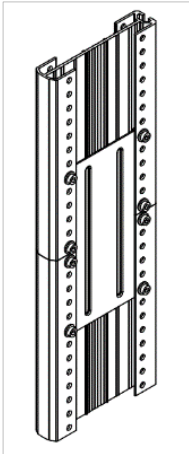
4x 

Intermediate profile vertical connector



Information!

A max. of one vertical connector per profile may be installed. The expanded profile may not exceed a length of 500 mm or 30 grids. An additional wall mounting is required for components that are installed above the vertical connector.

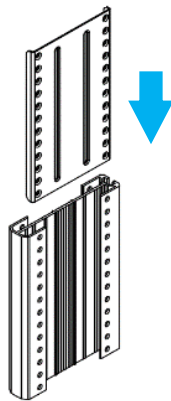


4x
4x

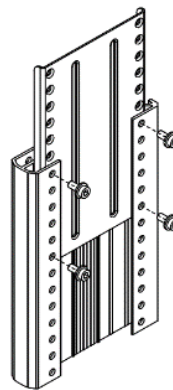
M6x12
7.5 Nm



1

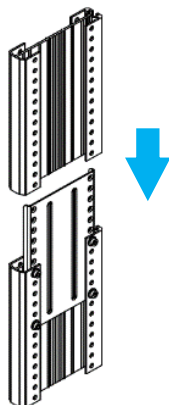


2

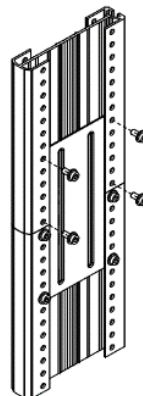


4x 

3



4



4x 

Dual directional block 90° T4/T5

Note:



Danger!

Risk of injury due to missing vehicle components.

The load can enter the passenger compartment from the racking system.





- Authorised installation
- Certified partition as per DIN ISO 27956,
- Partition with sliding door
- If you have questions, please contact the manufacturer's Technical Support.
- Unauthorised installation
- With partition grid,
- Without partition.



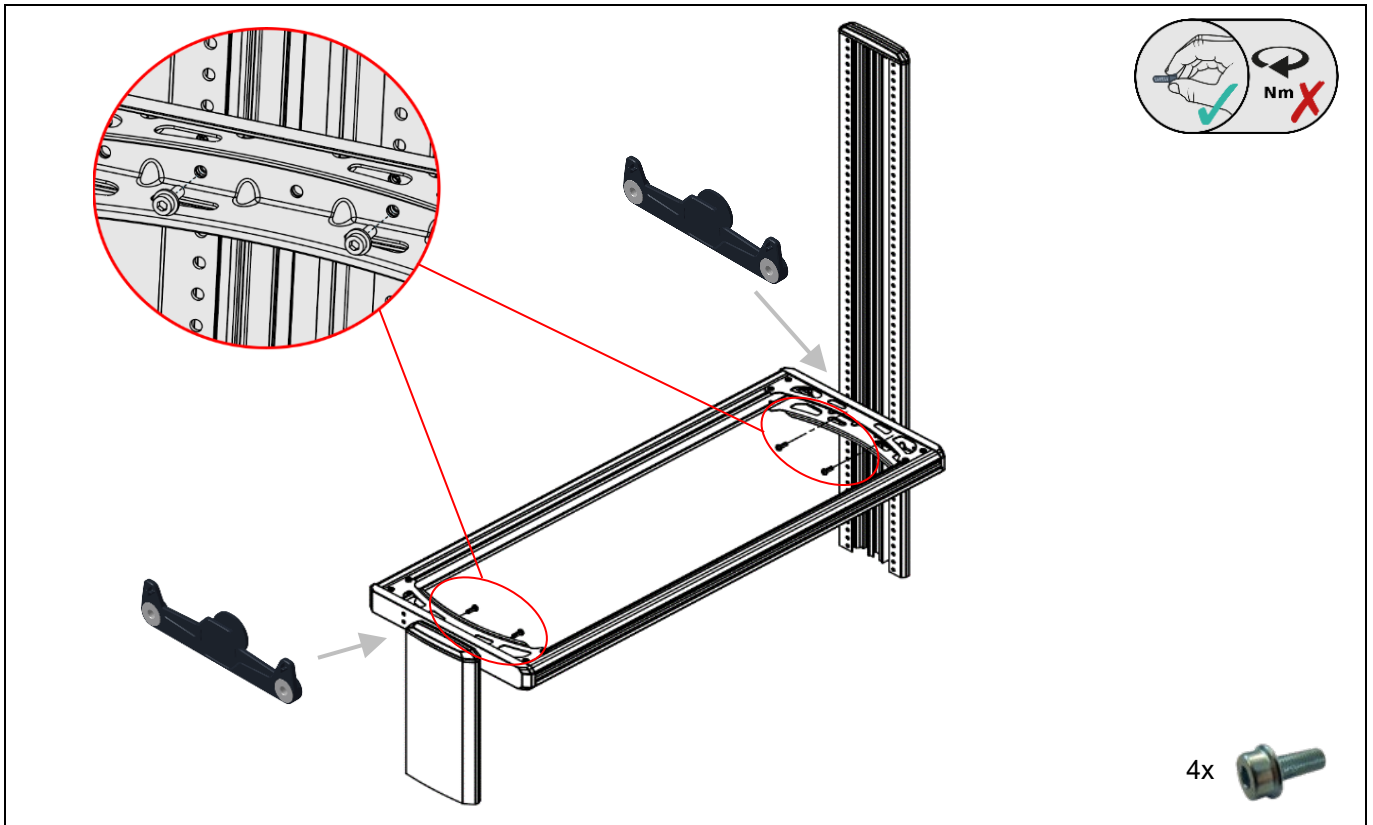
Information!

Certain elements are not included depending on the configuration.

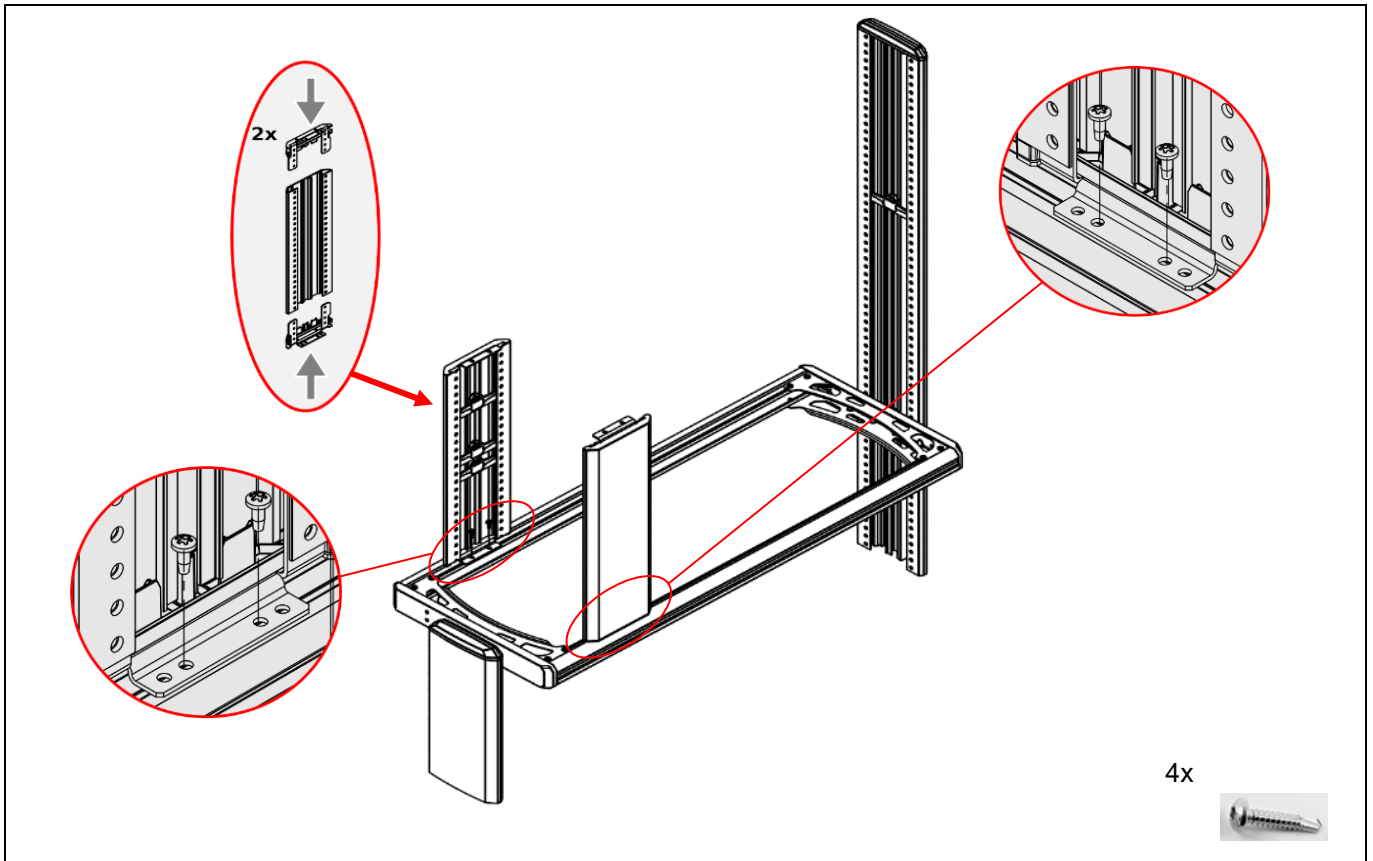
Scope of delivery

M6x16 7.5 Nm 	M4.8x16 4.5 Nm 	M6x16 7.5 Nm 
8x 		

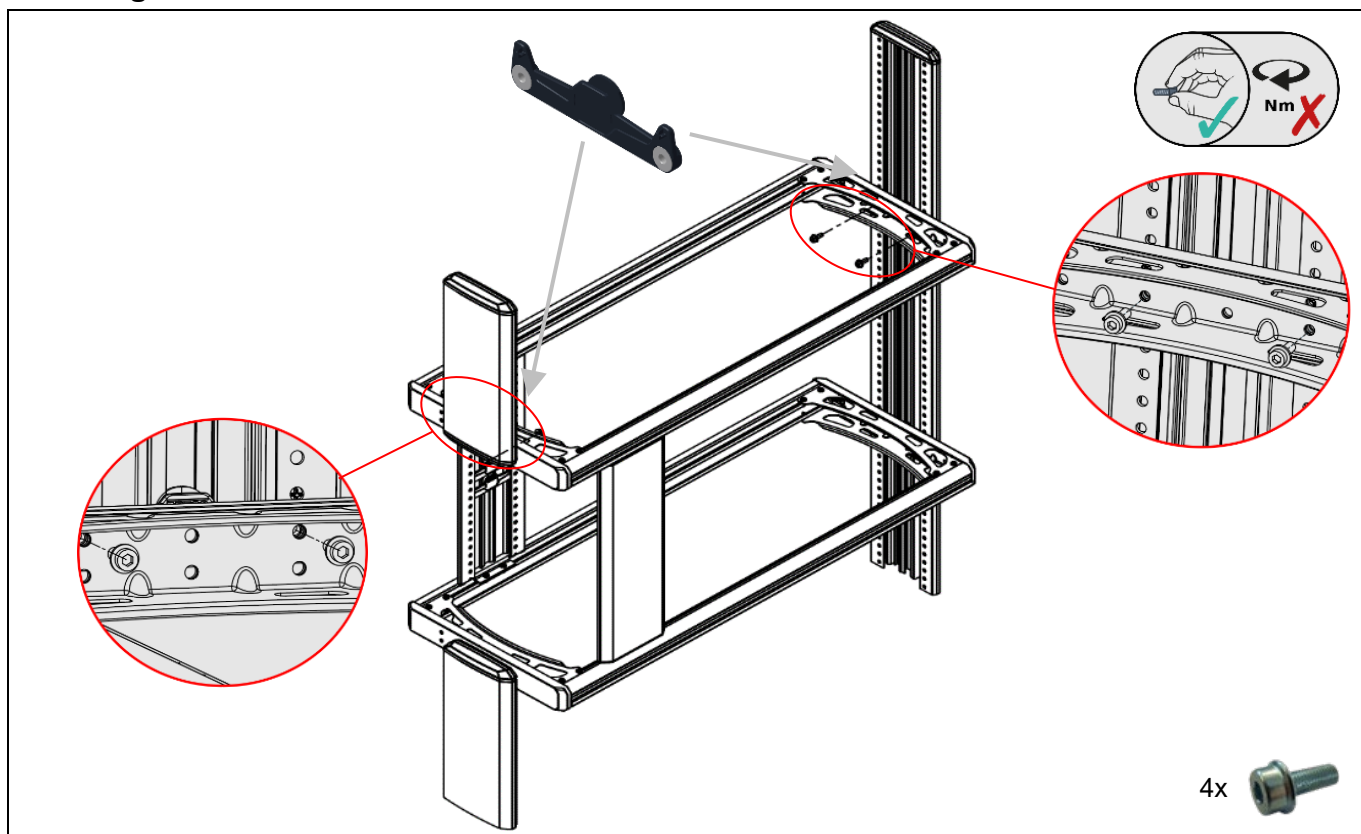
Installing the base frames



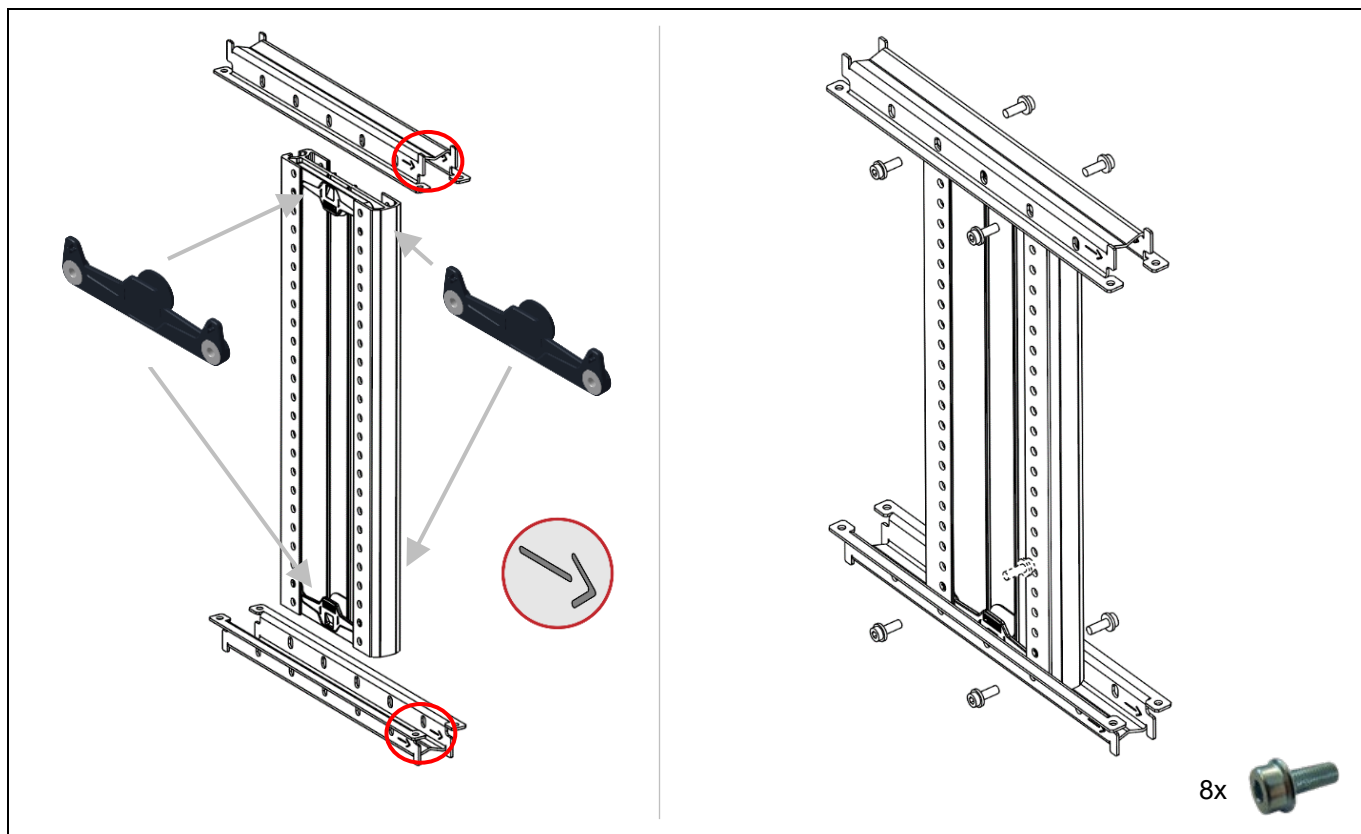
Installing the dual directional block profiles



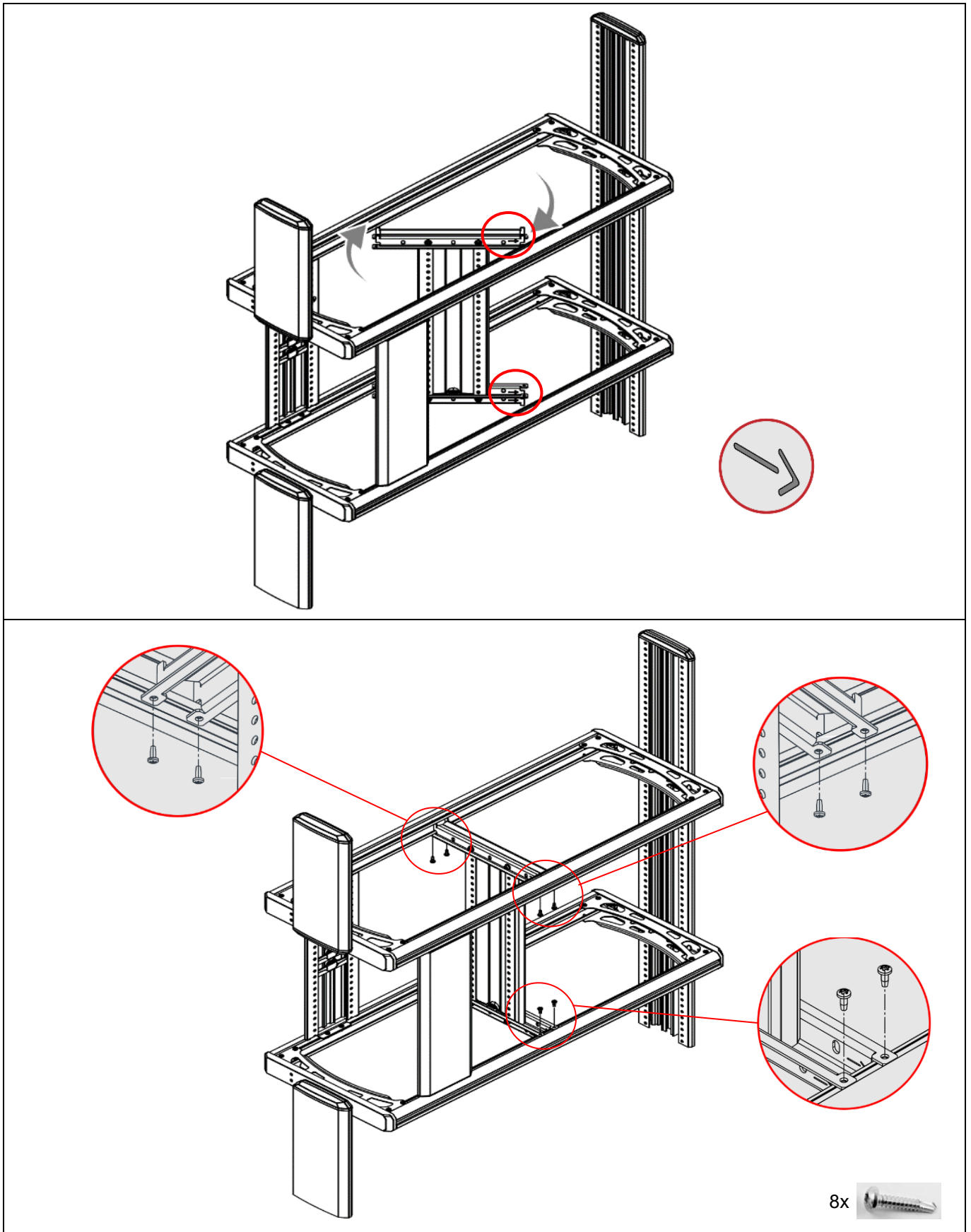
Installing the end frames



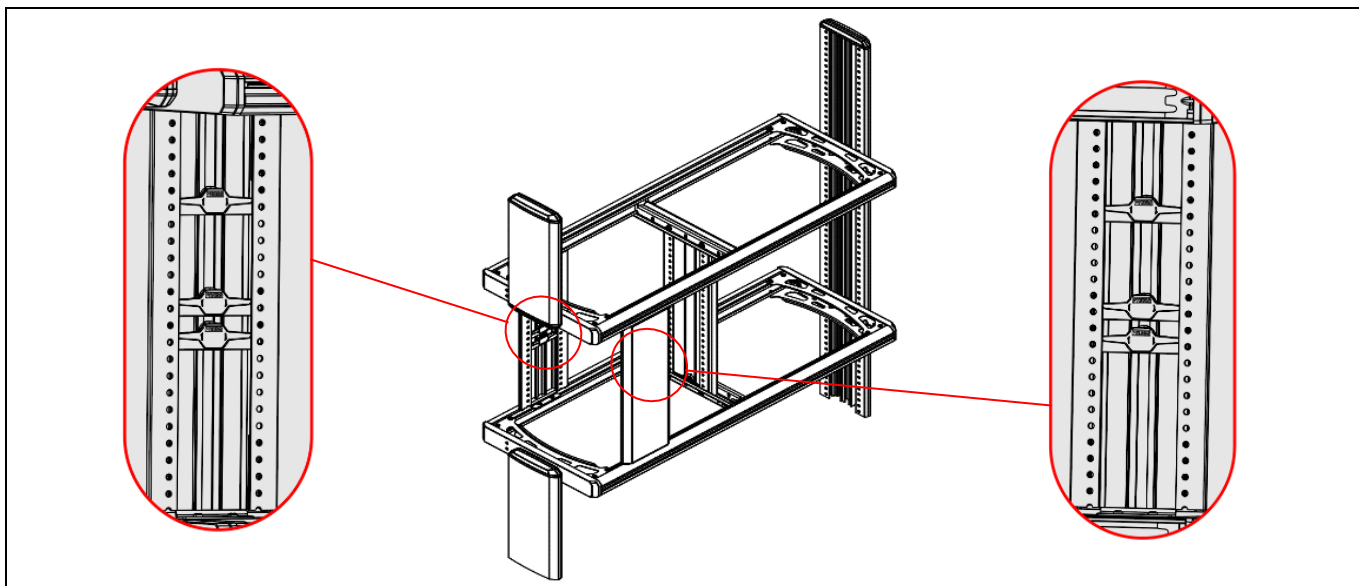
Preparing the intermediate profiles



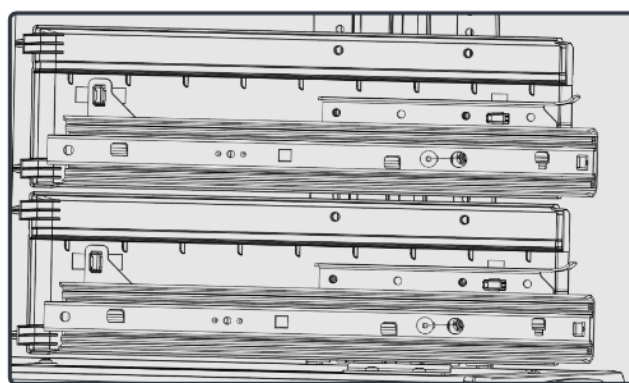
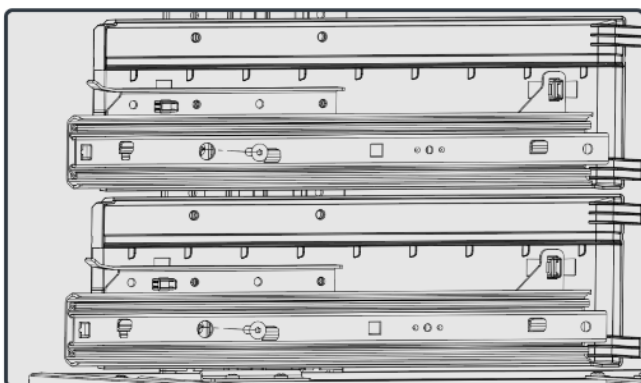
Installing the intermediate profiles



Installing the drawers

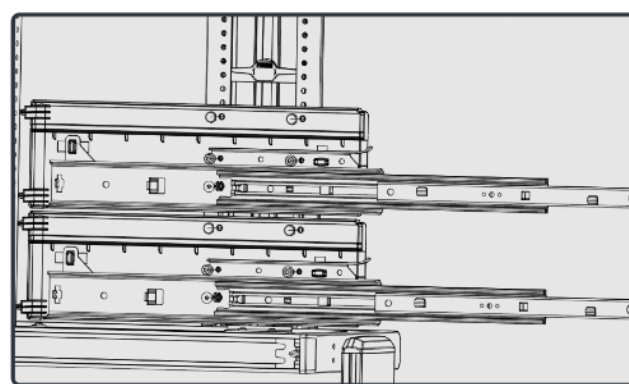
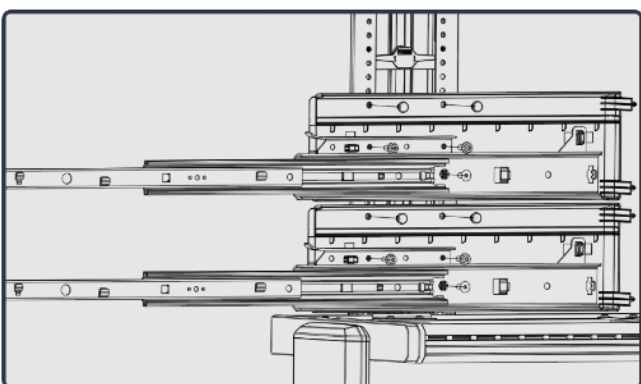


1



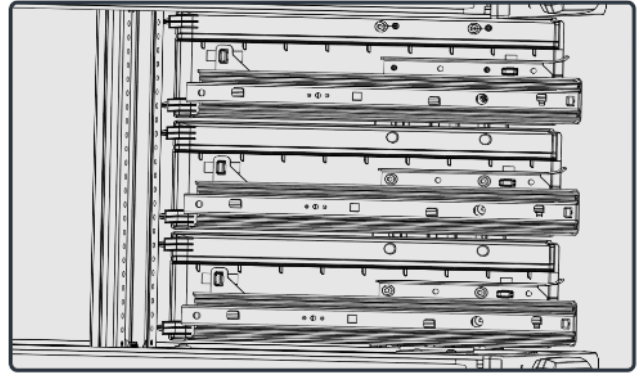
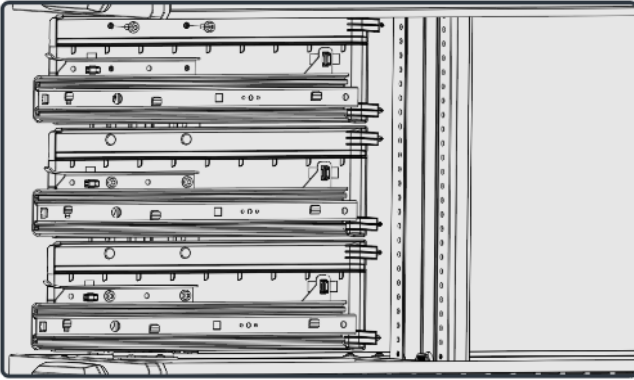
4x 

2



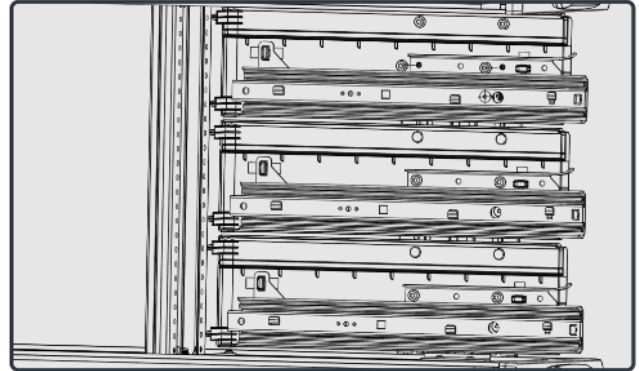
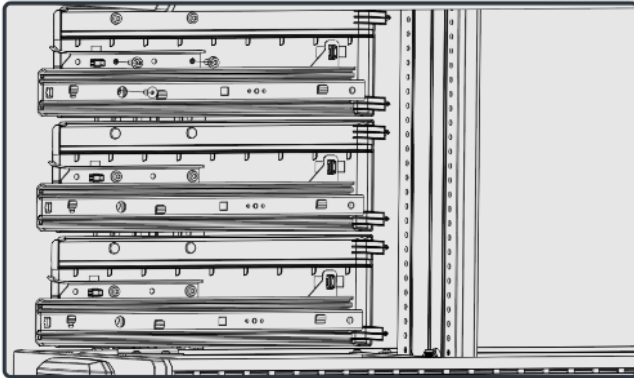
8x  8x  4x 

3



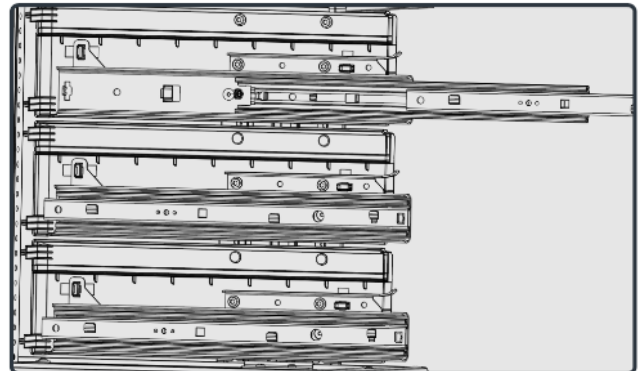
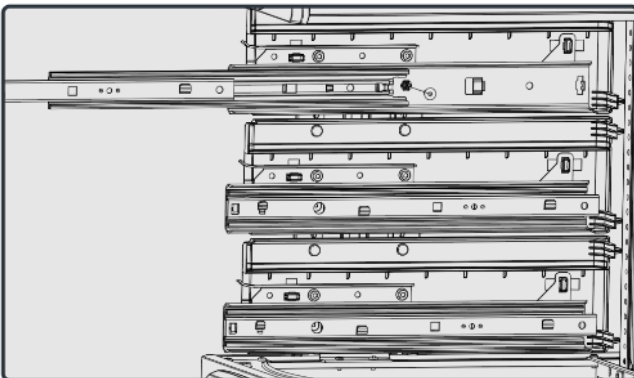
4x 

4



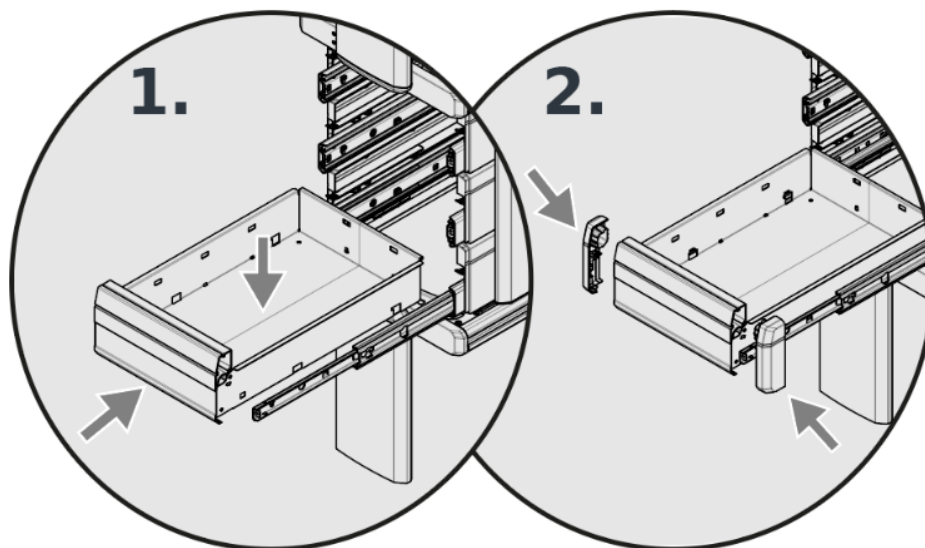
4x  2x 

5

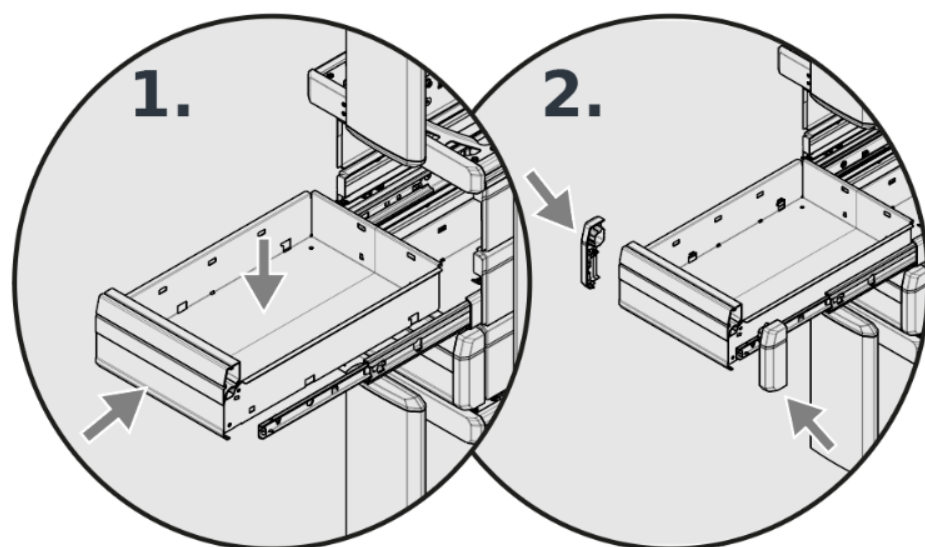


2x 

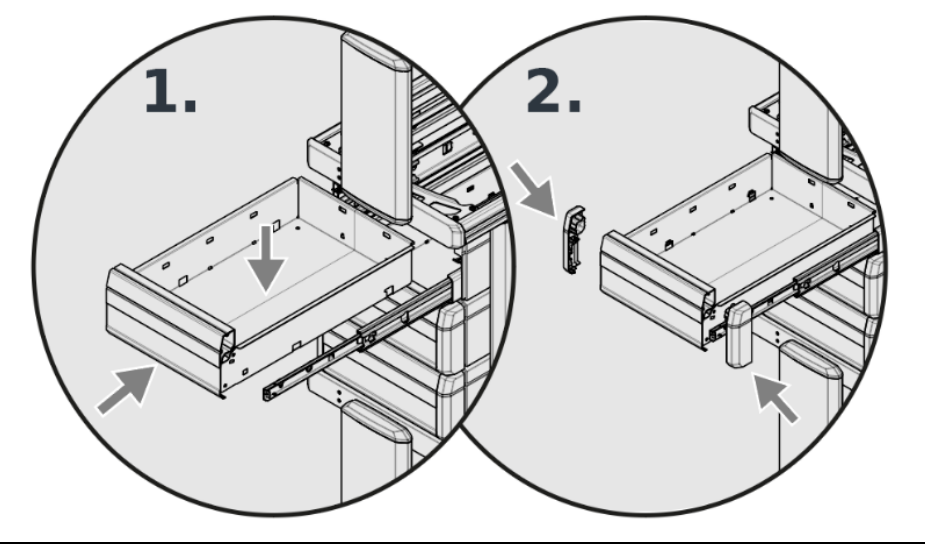
6



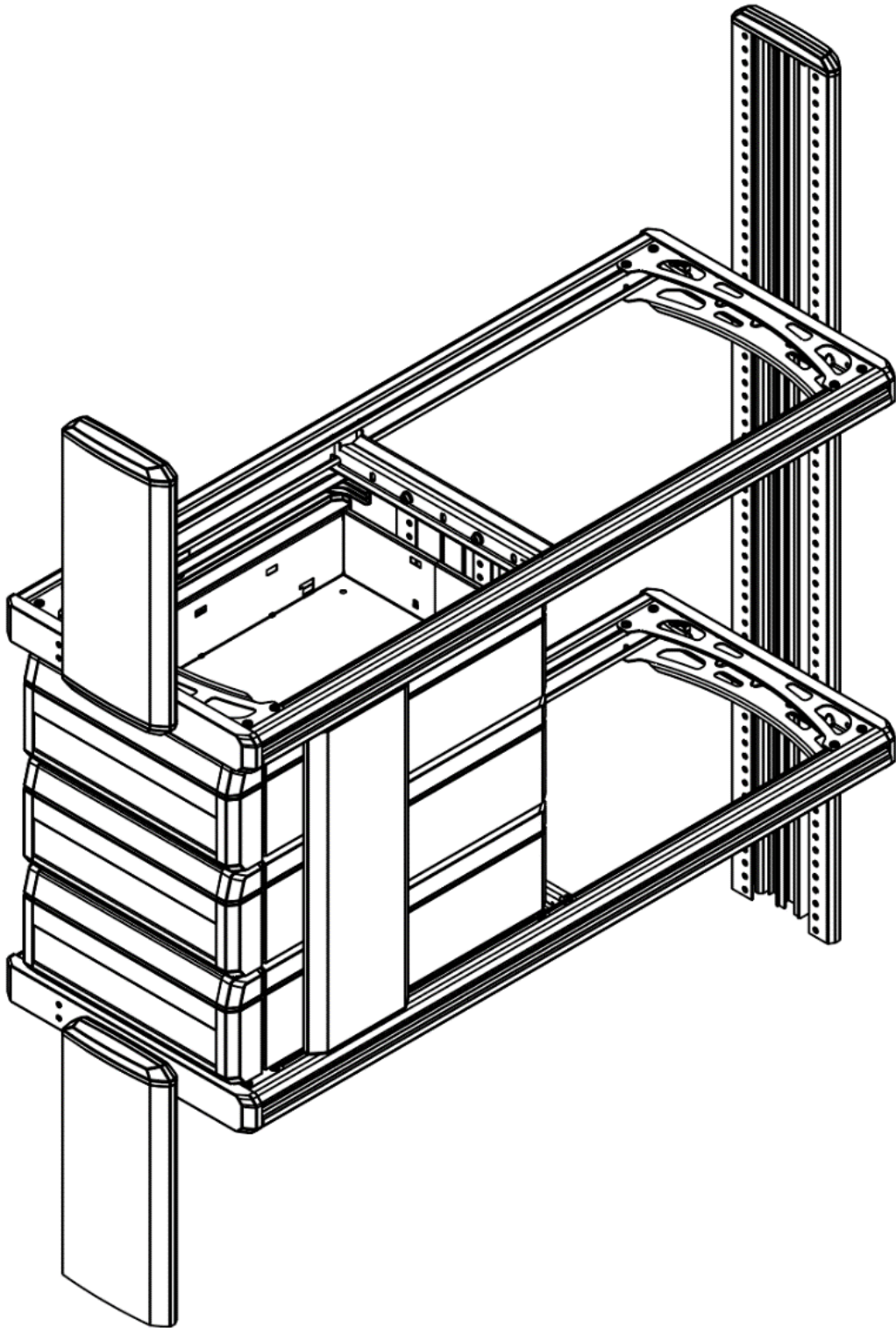
7



8



9



Dual directional block 90° T7

Note:



Danger!

Risk of injury due to missing vehicle components.

The load can enter the passenger compartment from the racking system.

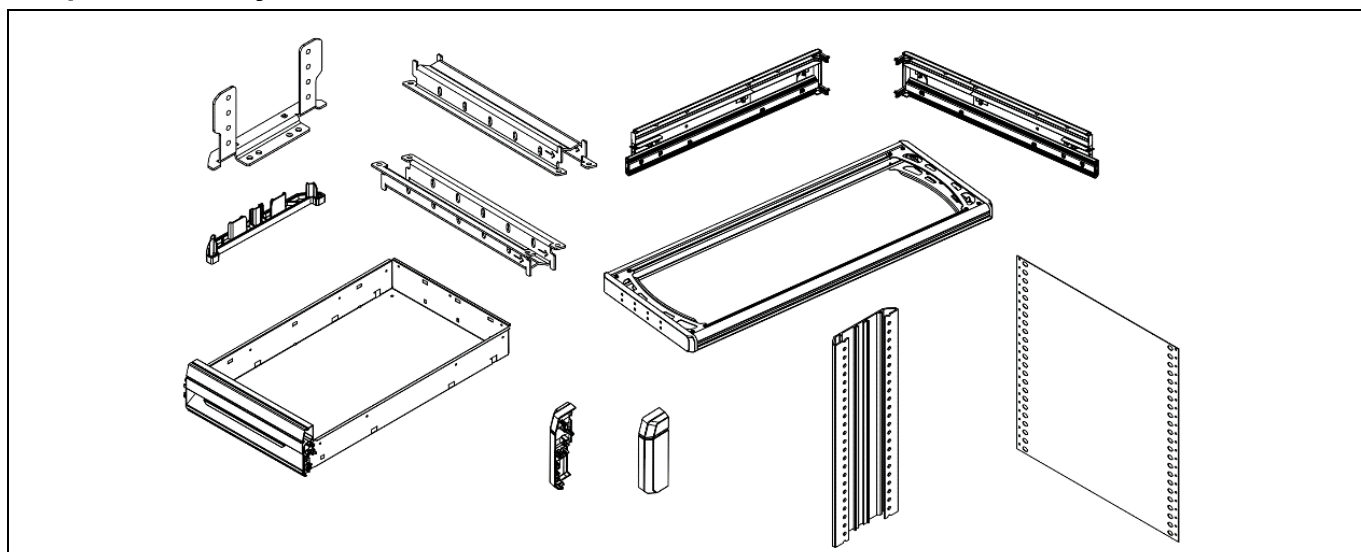
- Authorised installation
- Certified partition as per DIN ISO 27956,
- Partition with sliding door
- If you have questions, please contact the manufacturer's Technical Support.
- Unauthorised installation
- With partition grid,
- Without partition.







Information!

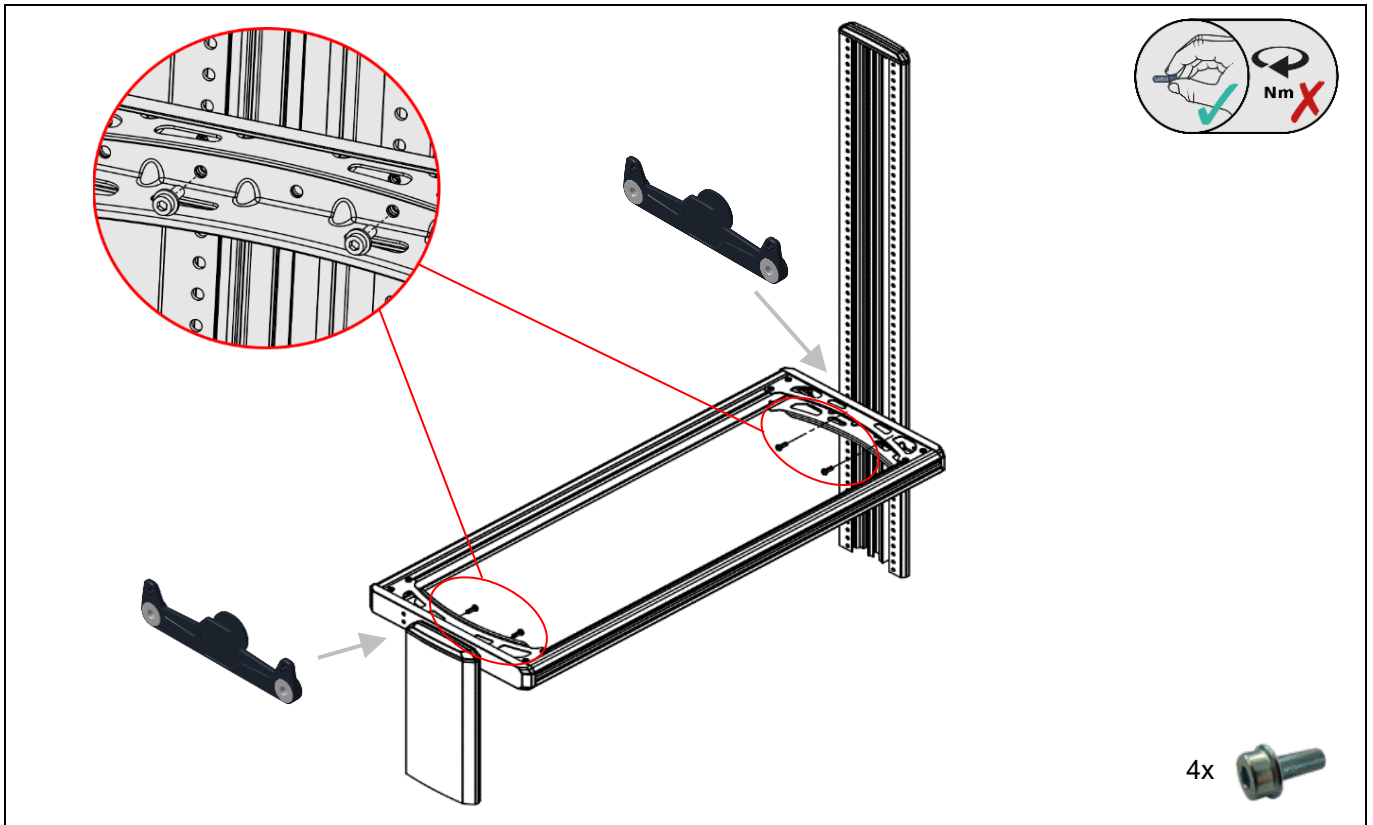
Certain elements are not included depending on the configuration.

Scope of delivery

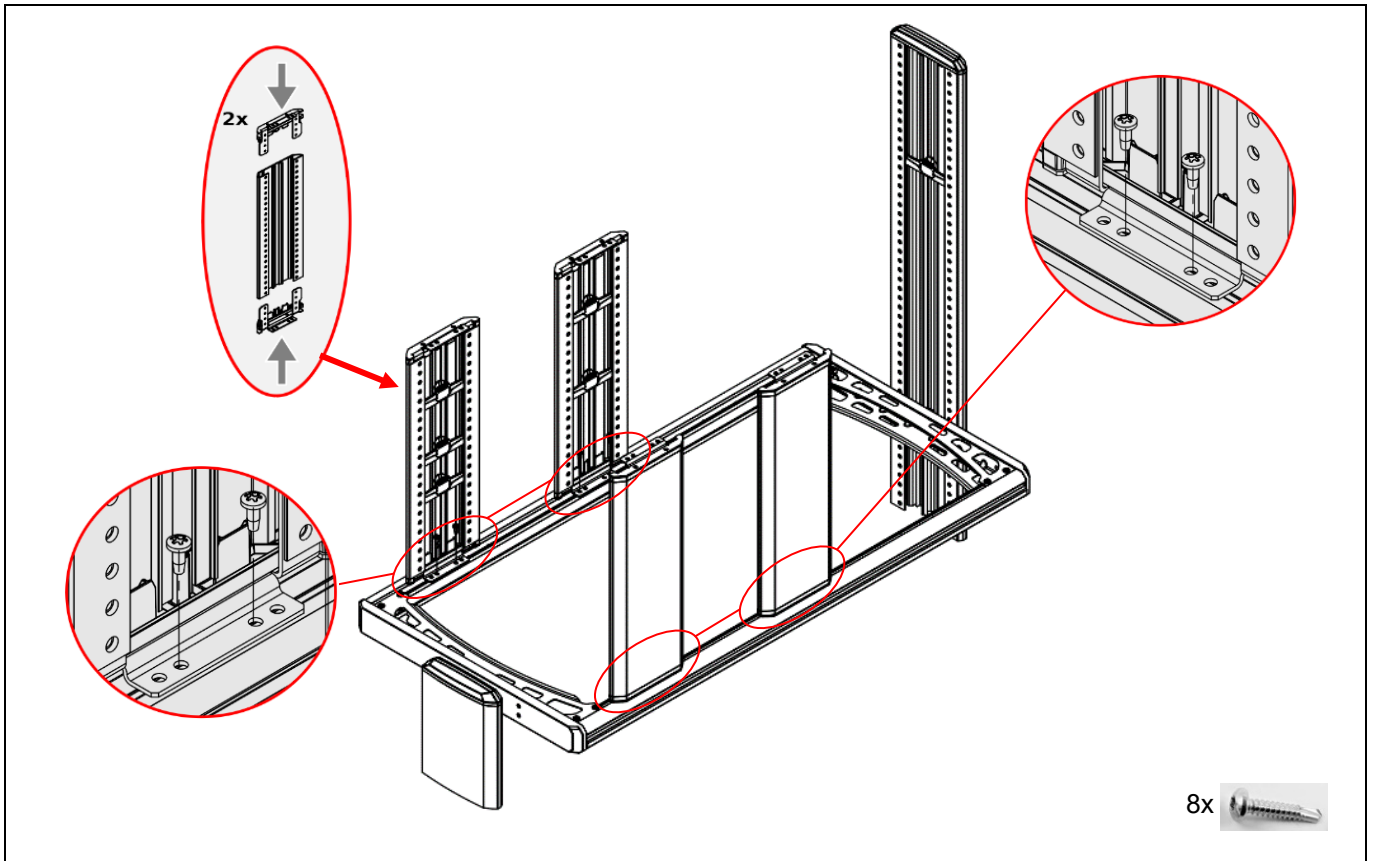


M6x16 7.5 Nm		M4.8x16 4.5 Nm		M6x16 7.5 Nm	
8x					

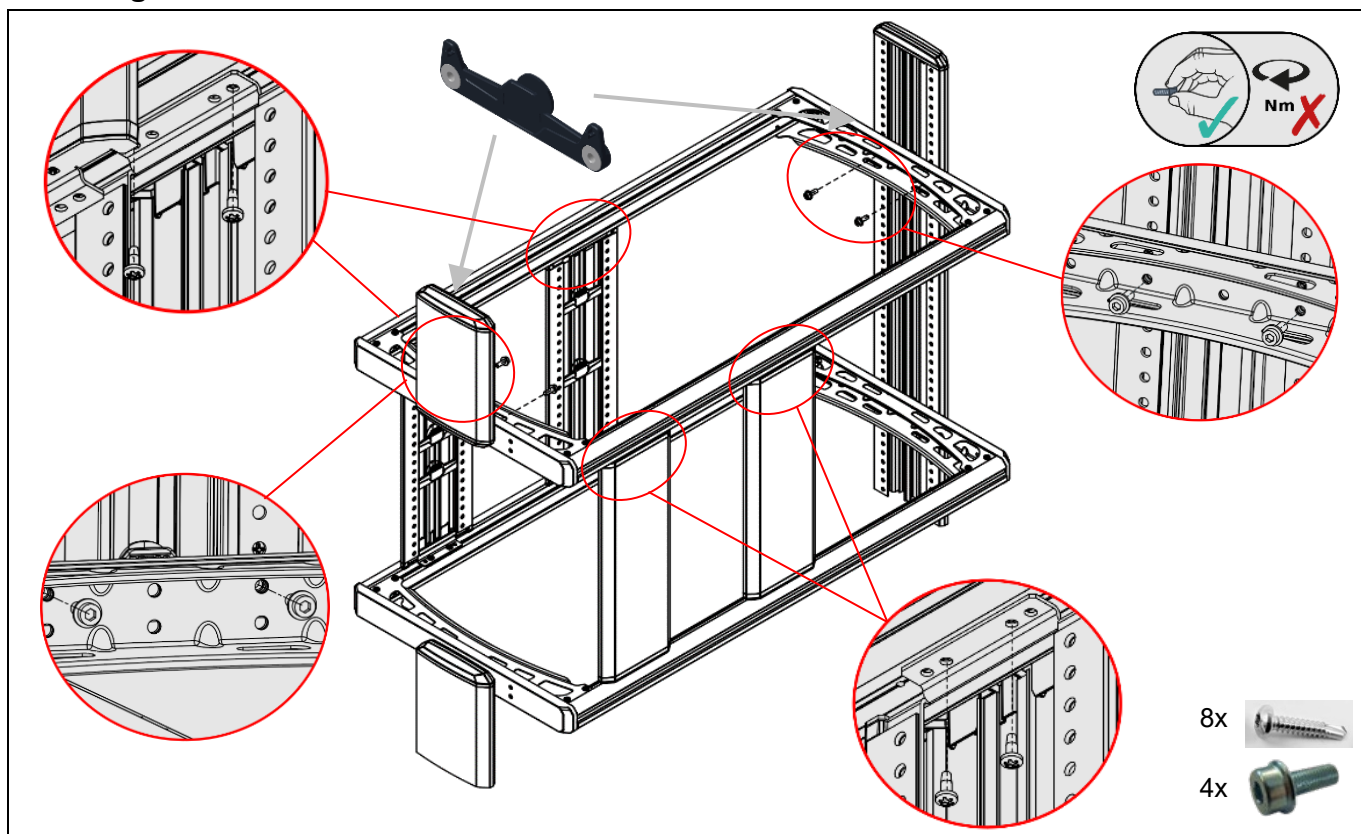
Installing the base frames



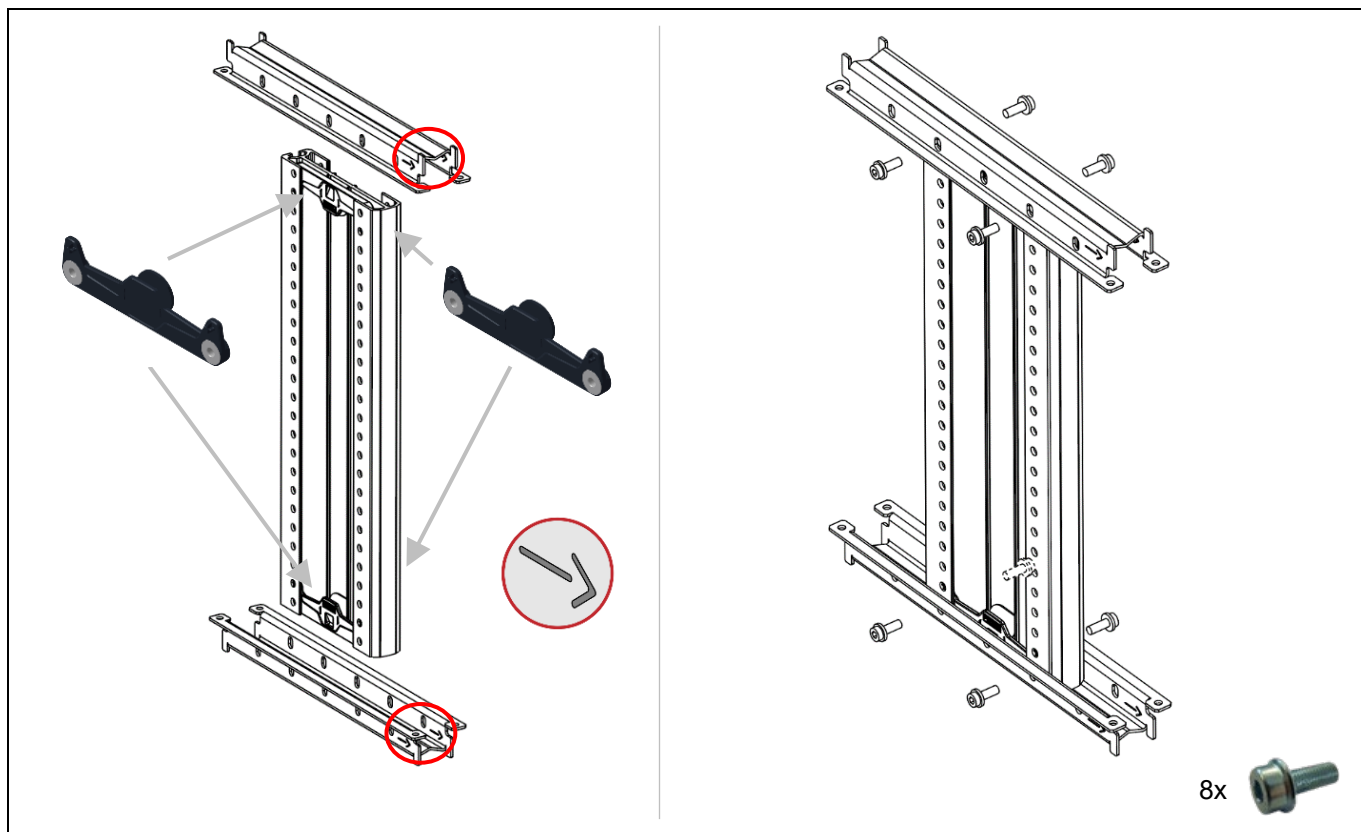
Installing the dual directional block profiles



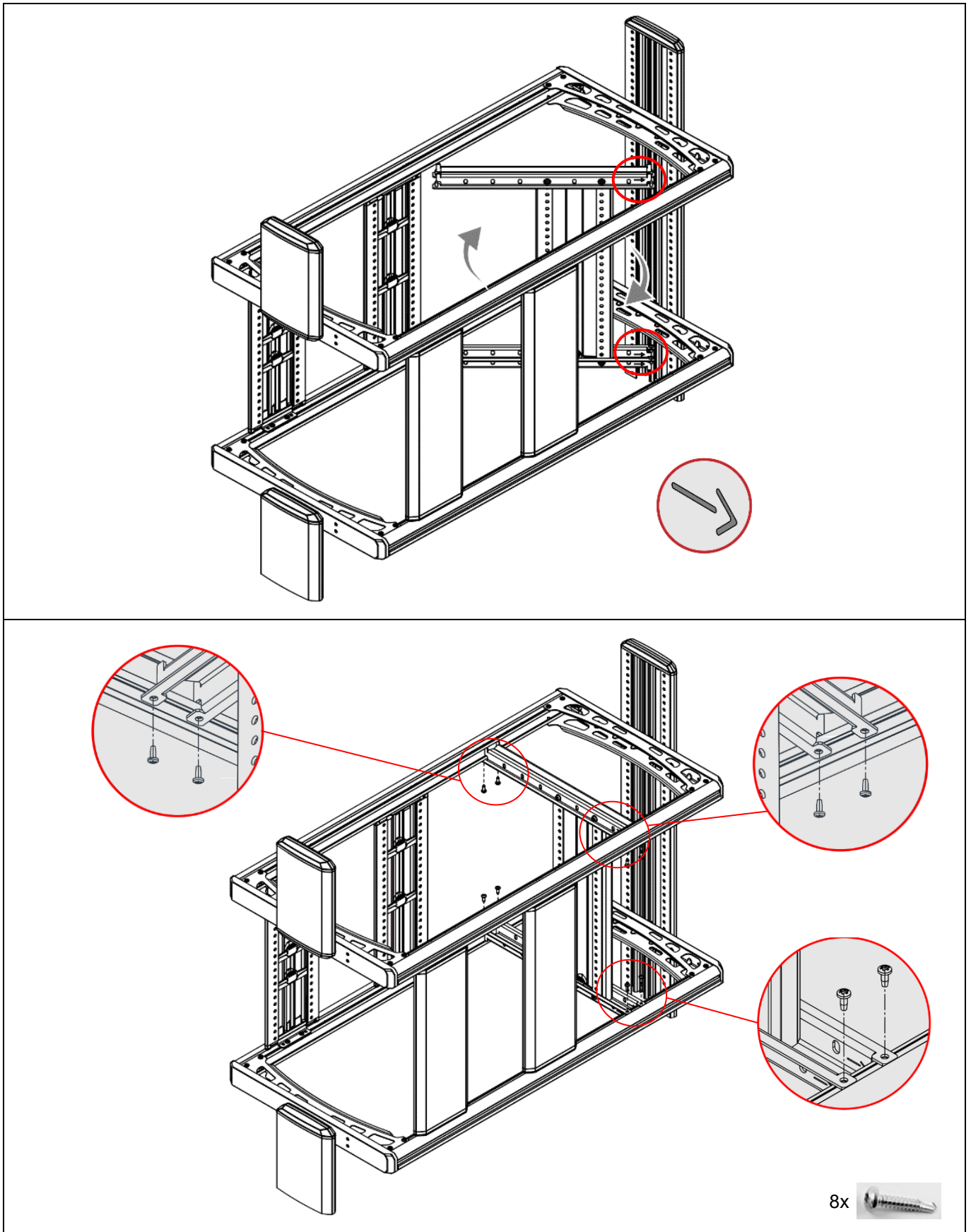
Installing the end frames



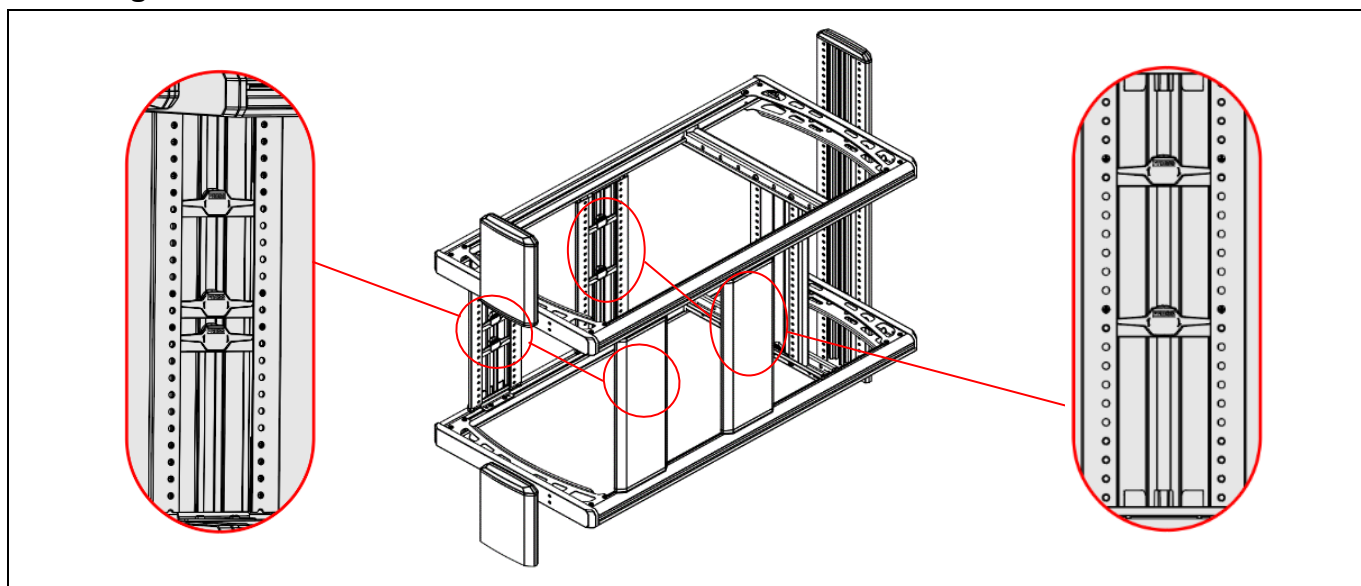
Preparing the intermediate profiles



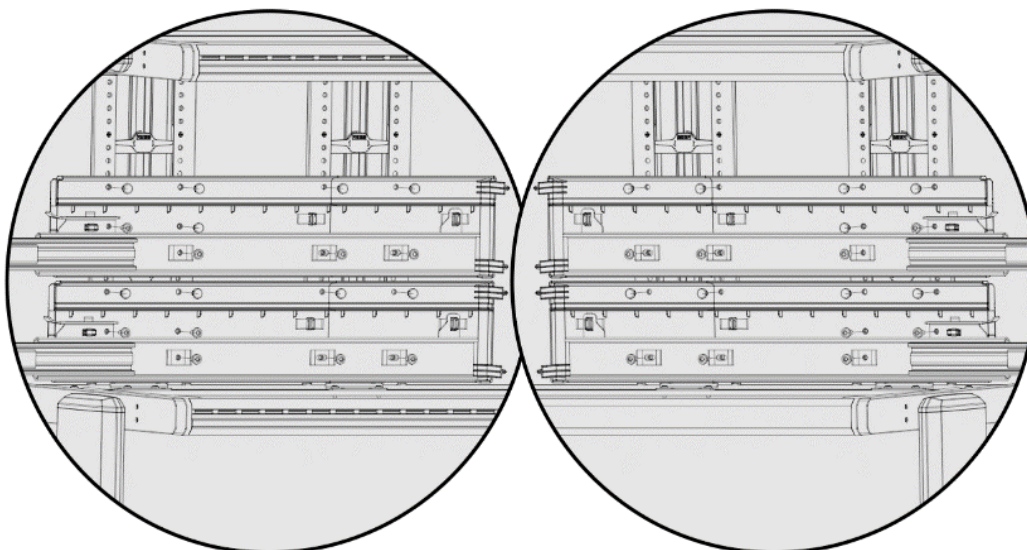
Installing the intermediate profiles



Installing the drawers



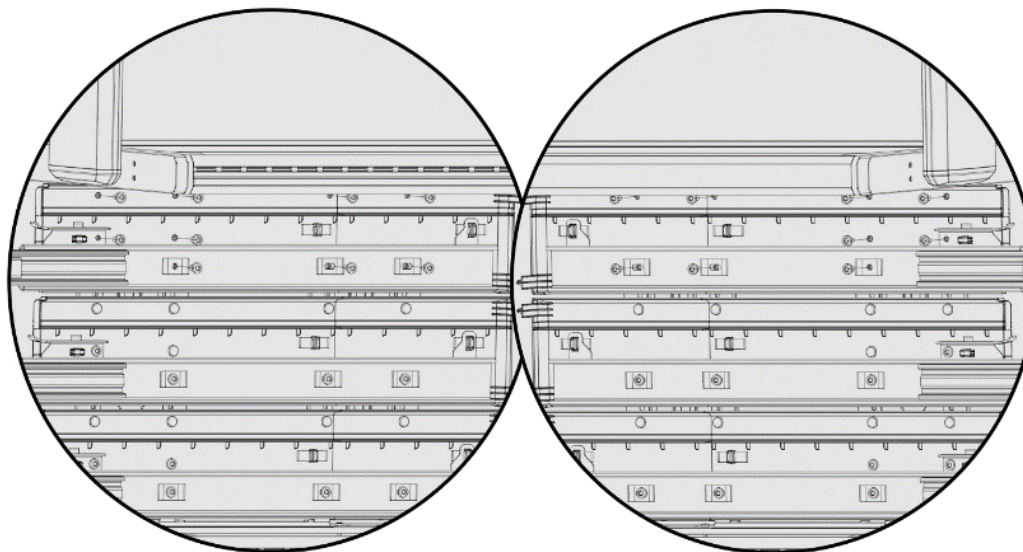
1



18x 

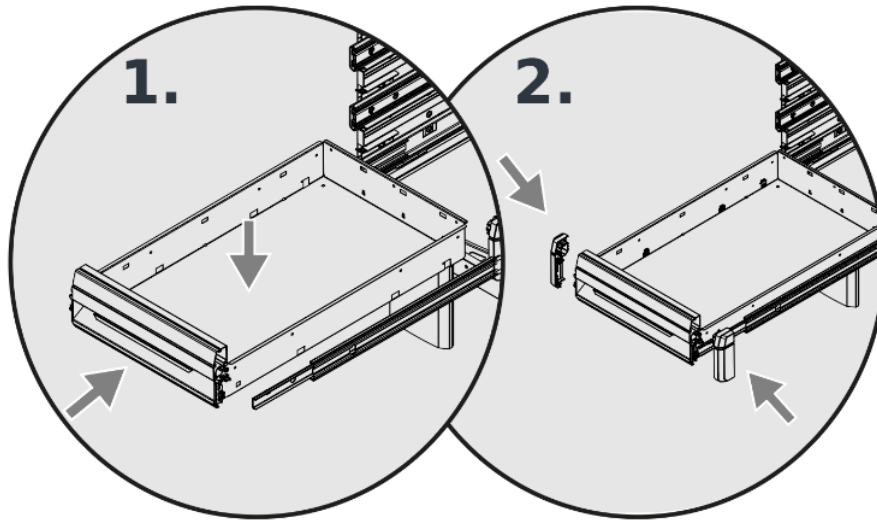
18x 

2

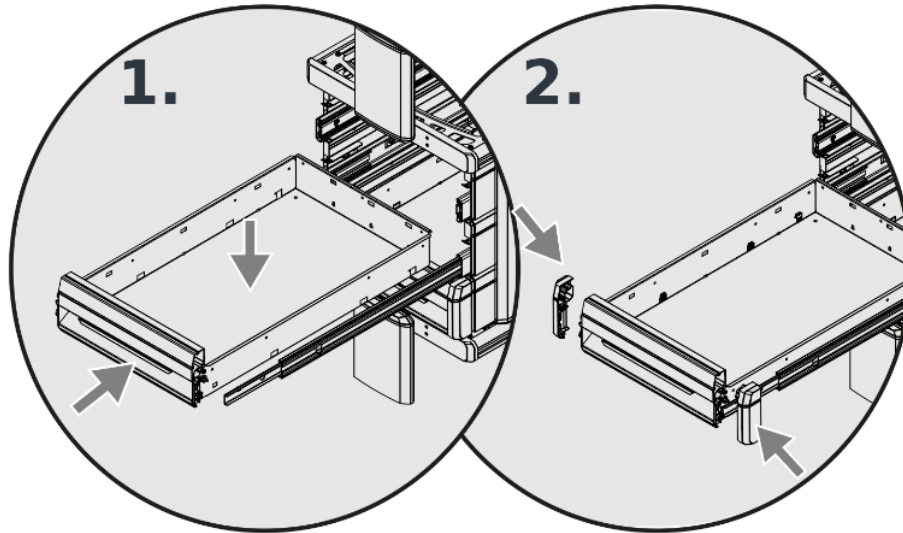


4x 

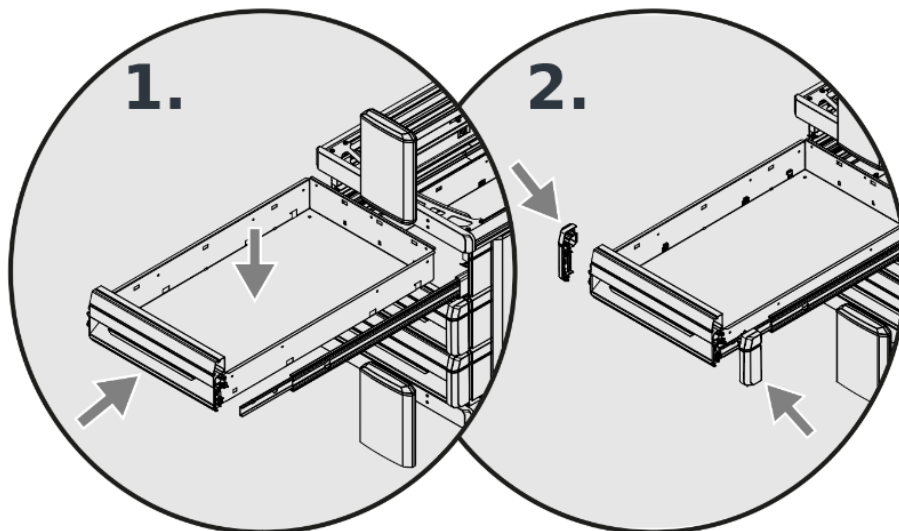
3



4

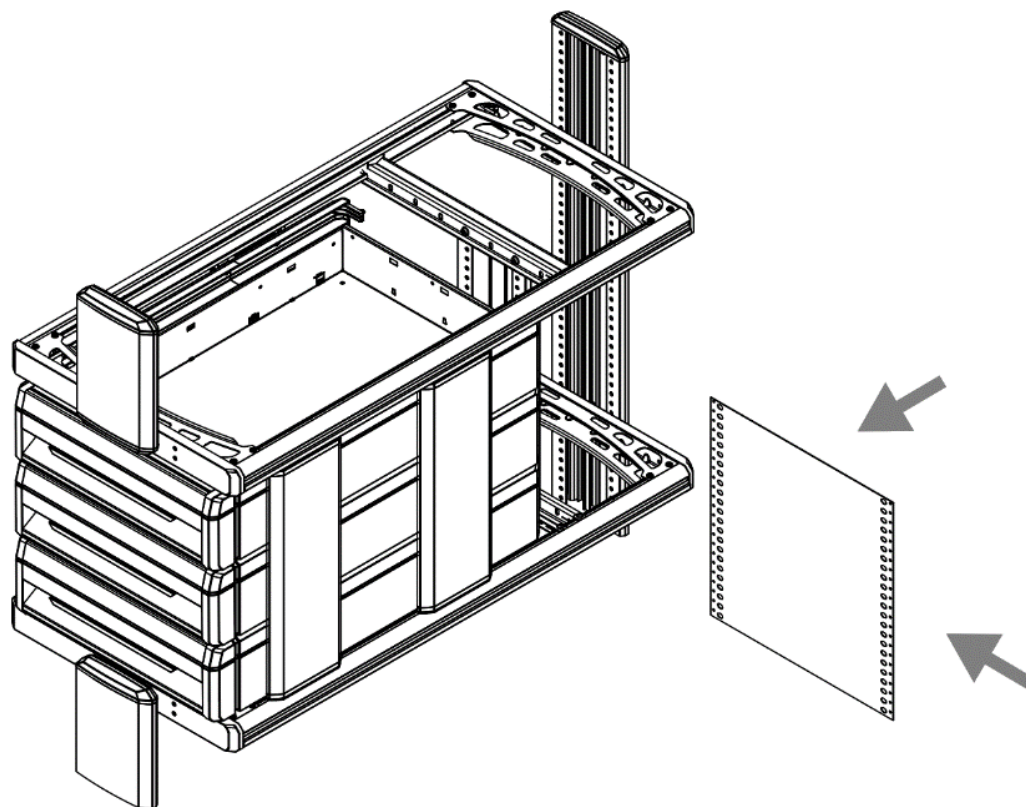


5

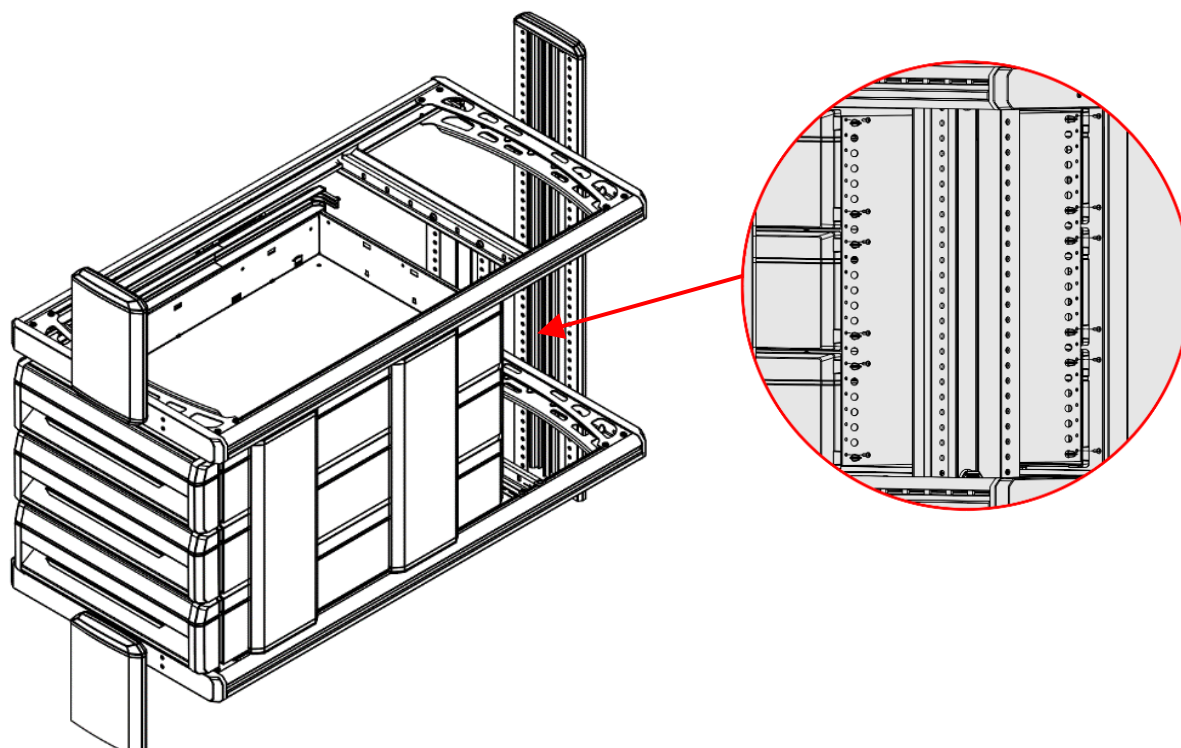


Installing the rear wall

1



2

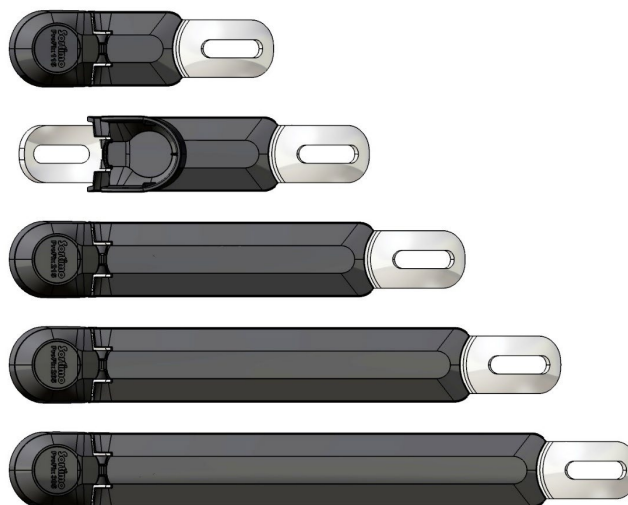


12x 

Note regarding ProFix

The van racking system is attached to the wall of the vehicle using ProFix brackets. ProFix is available in several versions to connect the van racking system to the wall of the vehicle.

- ProFix 115
- ProFix 165
- ProFix 215
- ProFix 265
- ProFix 305



Information!

Additional fastening brackets (ProFix) can be attached, if required (generally heavy loading, heavy loading in the upper area).



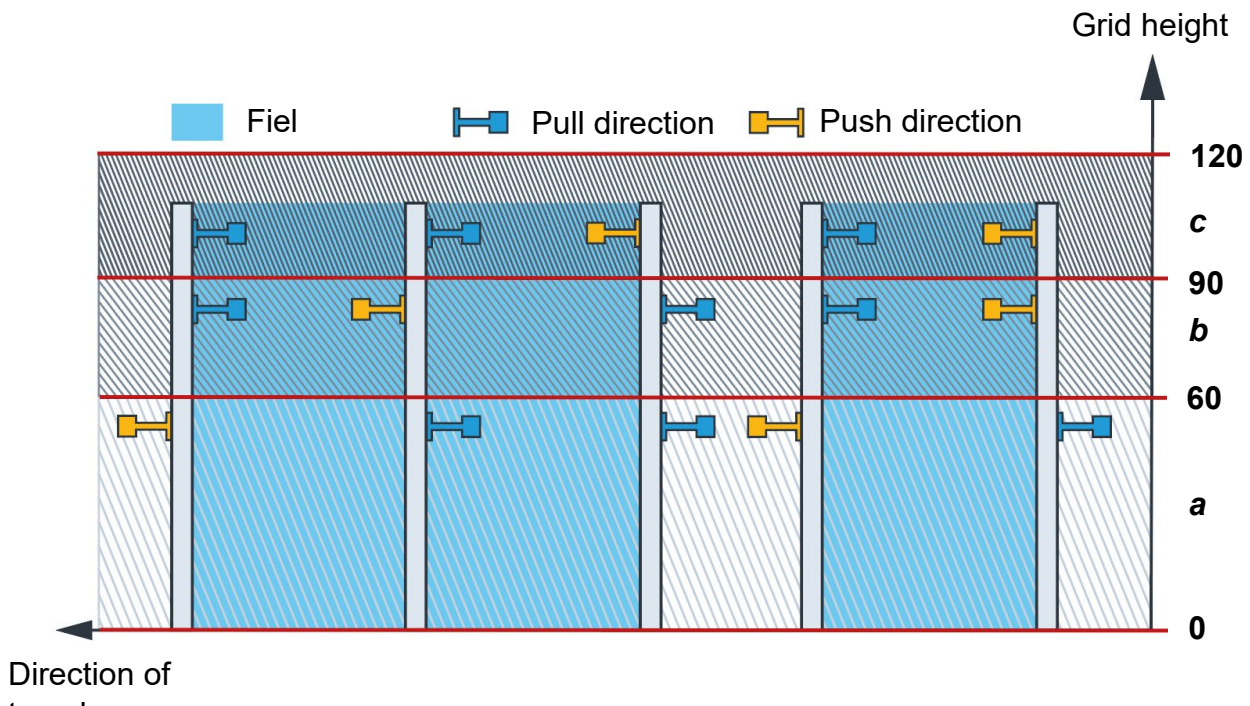
Important!

ProFix has a reliable angle adjustment of +/- 45°.



Installing ProFix

There are two options for installing ProFix brackets – in a push and in a pull direction.



Example 1 (figure on right) left side element / right side element:

- a. From grid height **0 to 60**: 2x "1000024951 SSA ProFix 215 mm blind rivet nuts
- b. From grid height **61 to 90**: in addition to point 1: 2x "1000024950 SSA ProFix 165 mm blind rivet nuts
- c. From grid height **91 to 120**: in addition to points 1 & 2: 2x "1000024950 SSA ProFix 165 mm blind rivet nuts

Example 2 (figure on left) left side element / intermediate element / right side element:

On the side elements:

- a. From grid height **0 to 60**: 2x "1000024951 SSA ProFix 215 mm blind rivet nuts
- b. From grid height **61 to 90**: in addition to point 1: 2x "1000024950 SSA ProFix 165 mm blind rivet nuts
- c. From grid height **91 to 120**: in addition to points 1 & 2: 2x "1000024950 SSA ProFix 165 mm blind rivet nuts

On the intermediate element:

- a. From grid height **0 to 60**: 1x "1000024951 SSA ProFix 215 mm blind rivet nut
- b. From grid height **61 to 90**: in addition to point 1: 1x "1000024950 SSA ProFix 165 mm blind rivet nut
- c. From grid height **91 to 120**: in addition to points 1 & 2: 1x "1000024950 SSA ProFix 165 mm blind rivet nut

Attaching ProFix to the van racking system

Depending on the configuration, it can be attached to various elements of the van racking system.

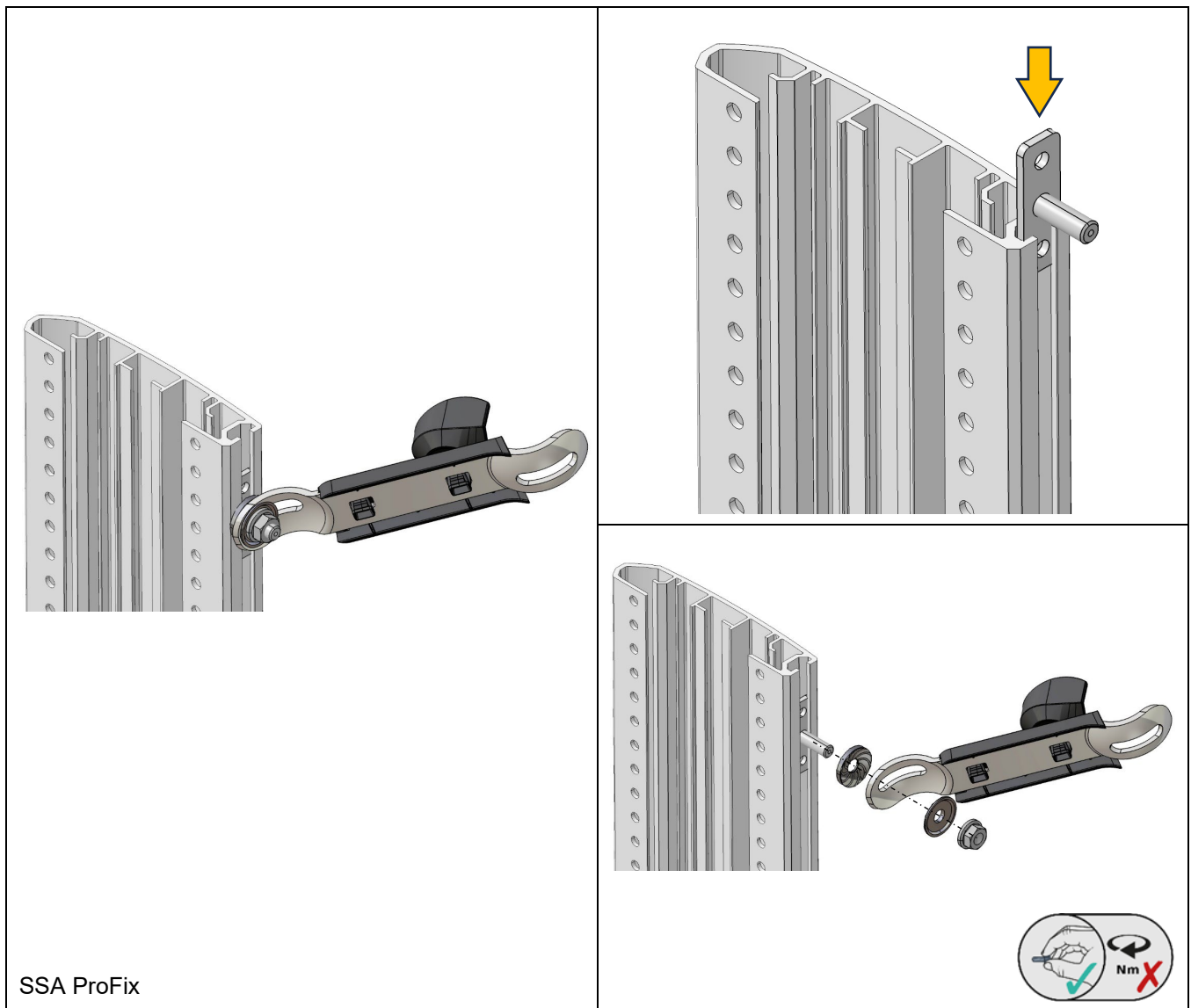
- Directly on the profile,
- Using a rear panel rail,



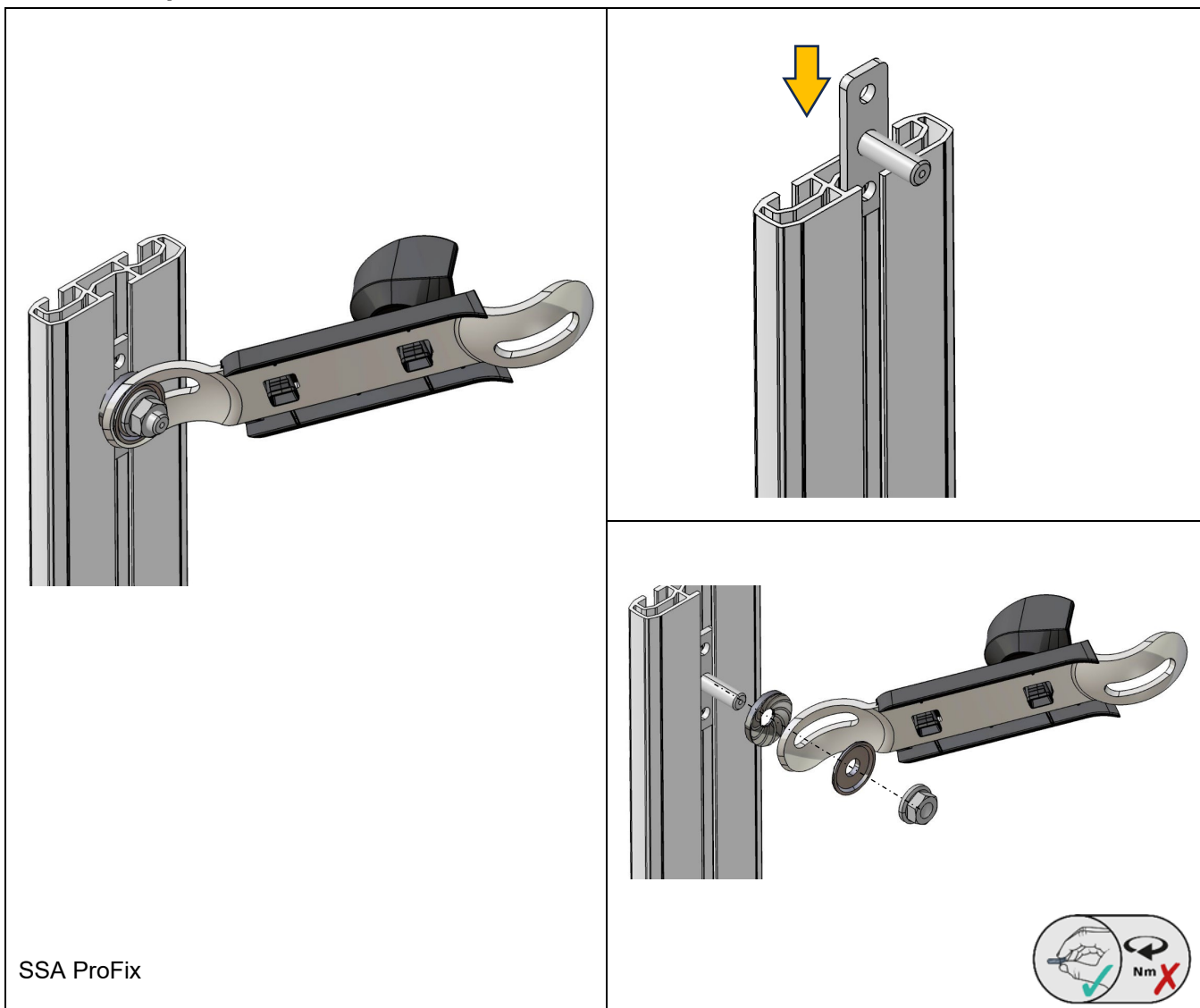
Important!

ProFix brackets may only be attached to the rear panel rail up to grid height 60.

Directly on the profile



Centre rear panel rail

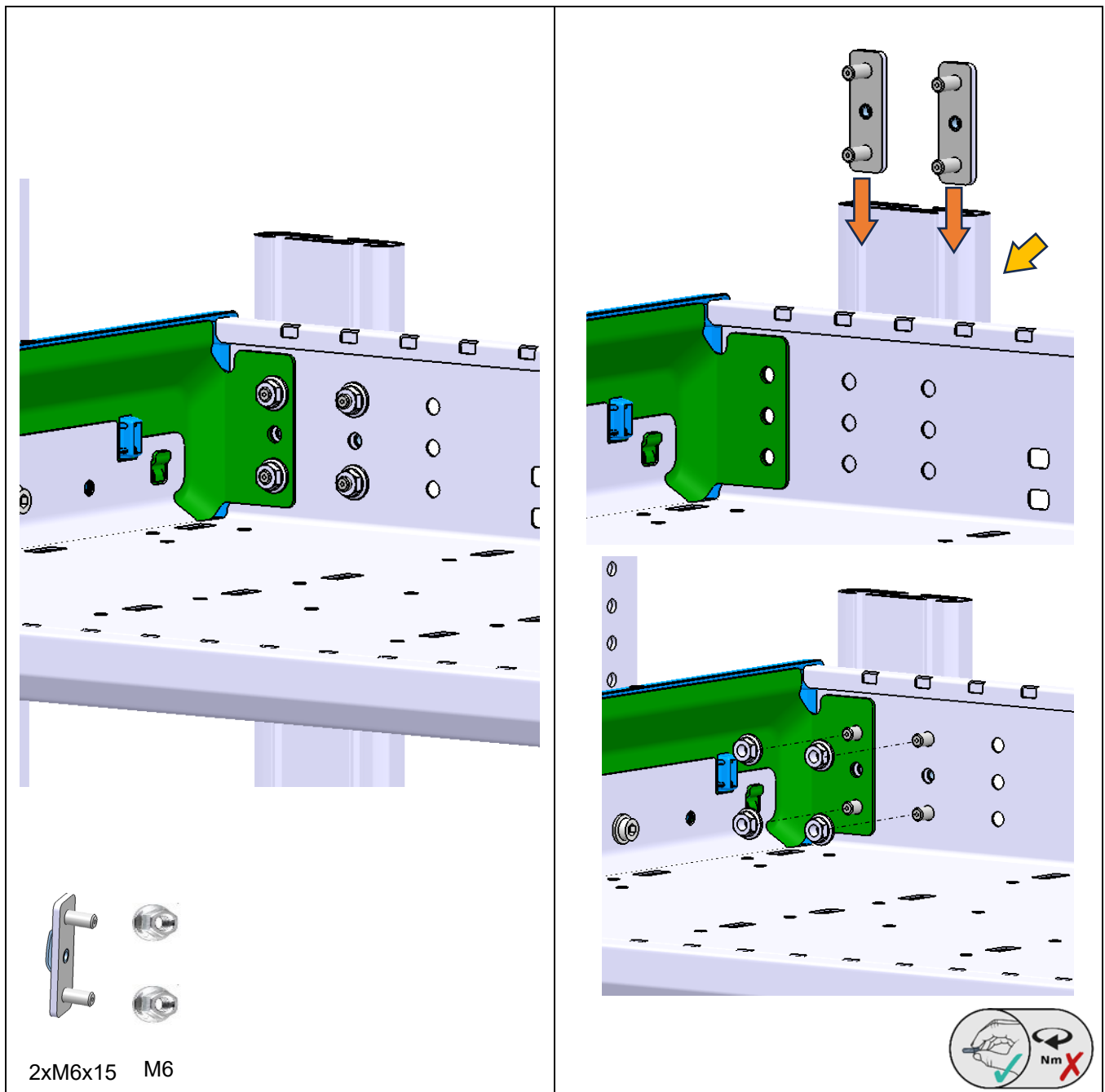


Attaching the rear wall profile

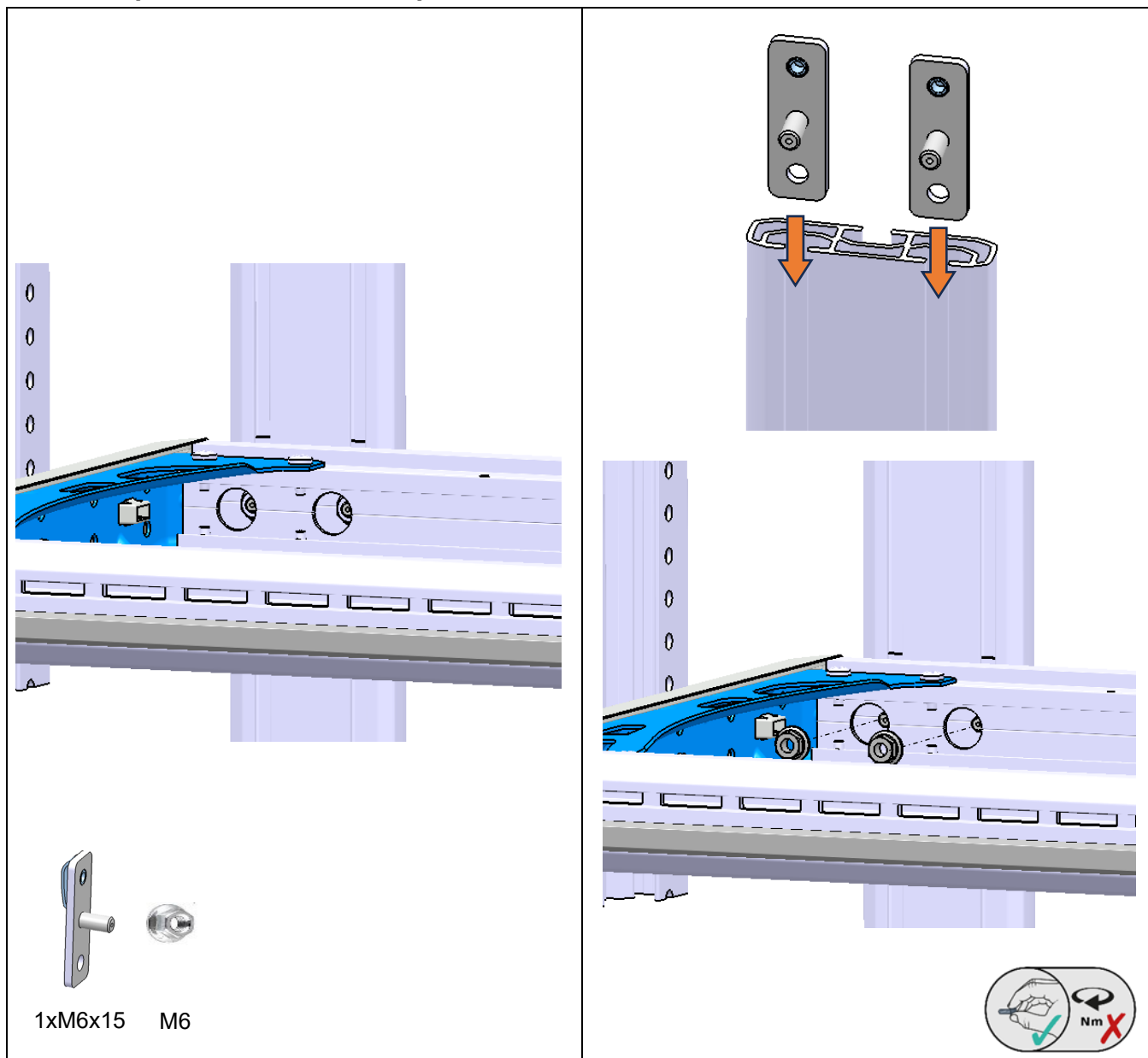
There are three options for fastening the rear wall profile to the van racking system.

- Rear wall profile to the shelves,
- Rear wall profile to the top, bottom of the frame.
- Rear wall profile to the worktop shelf.

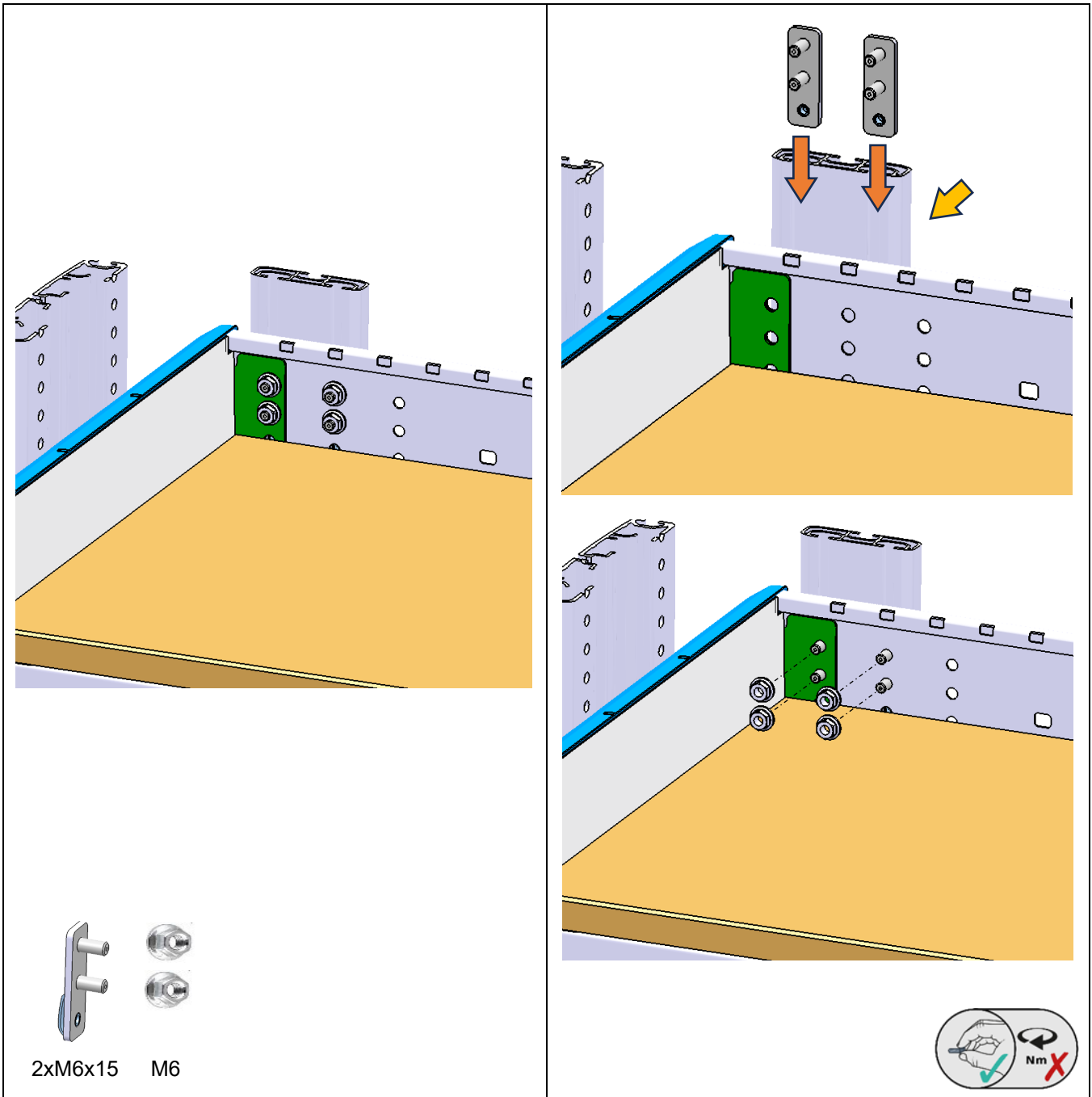
Rear wall profile to the shelf



Rear wall profile to the frame top-bottom



Rear wall profile to the worktop shelf



Attaching ProFix brackets to the wall of the vehicle

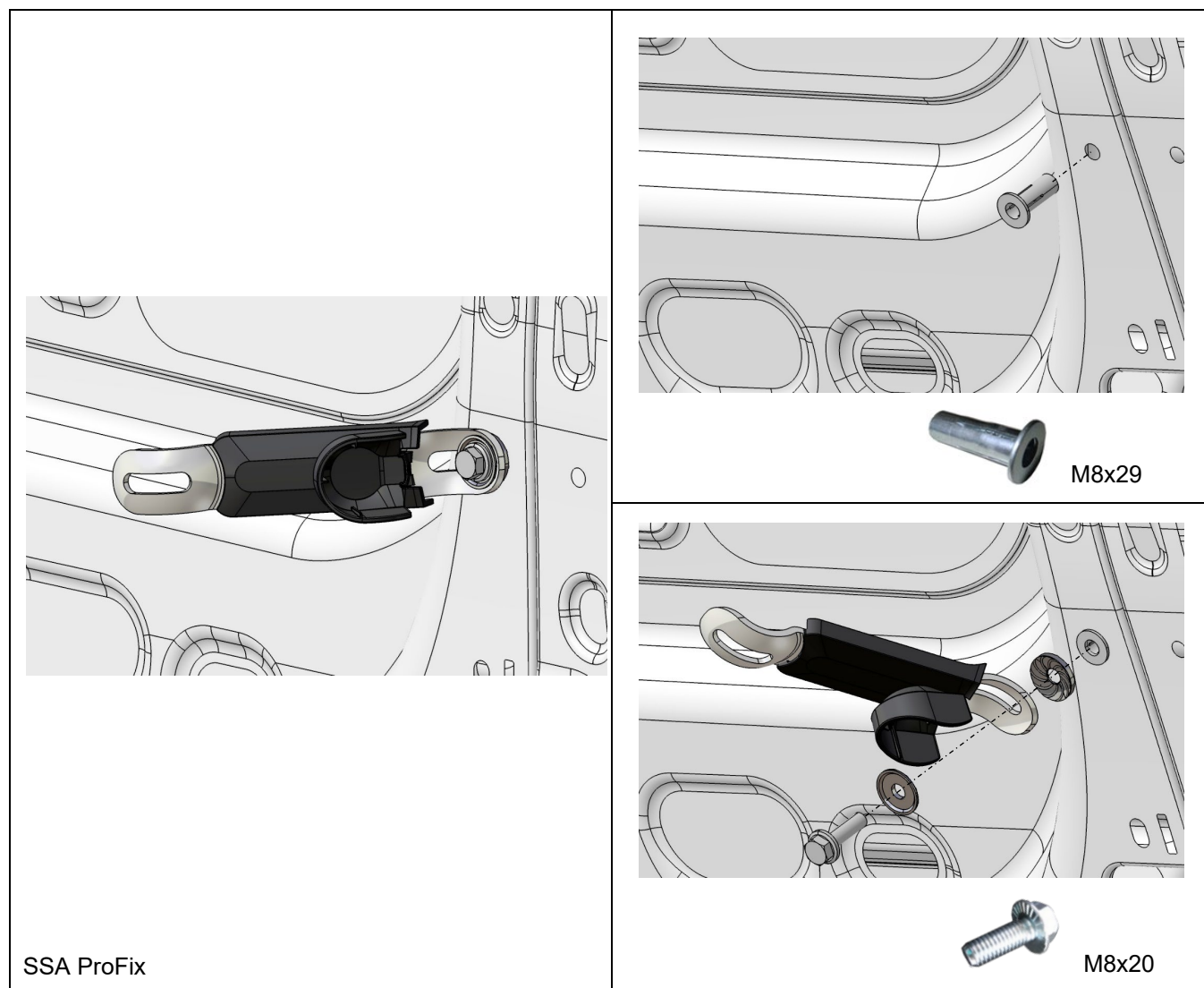
There are two options for attaching ProFix brackets to the wall of the vehicle.

- Blind rivet nut,
- Fastening plate.

Rule:

- If possible, attaching them using a fastening plate is preferable to attaching them with blind rivet nuts.

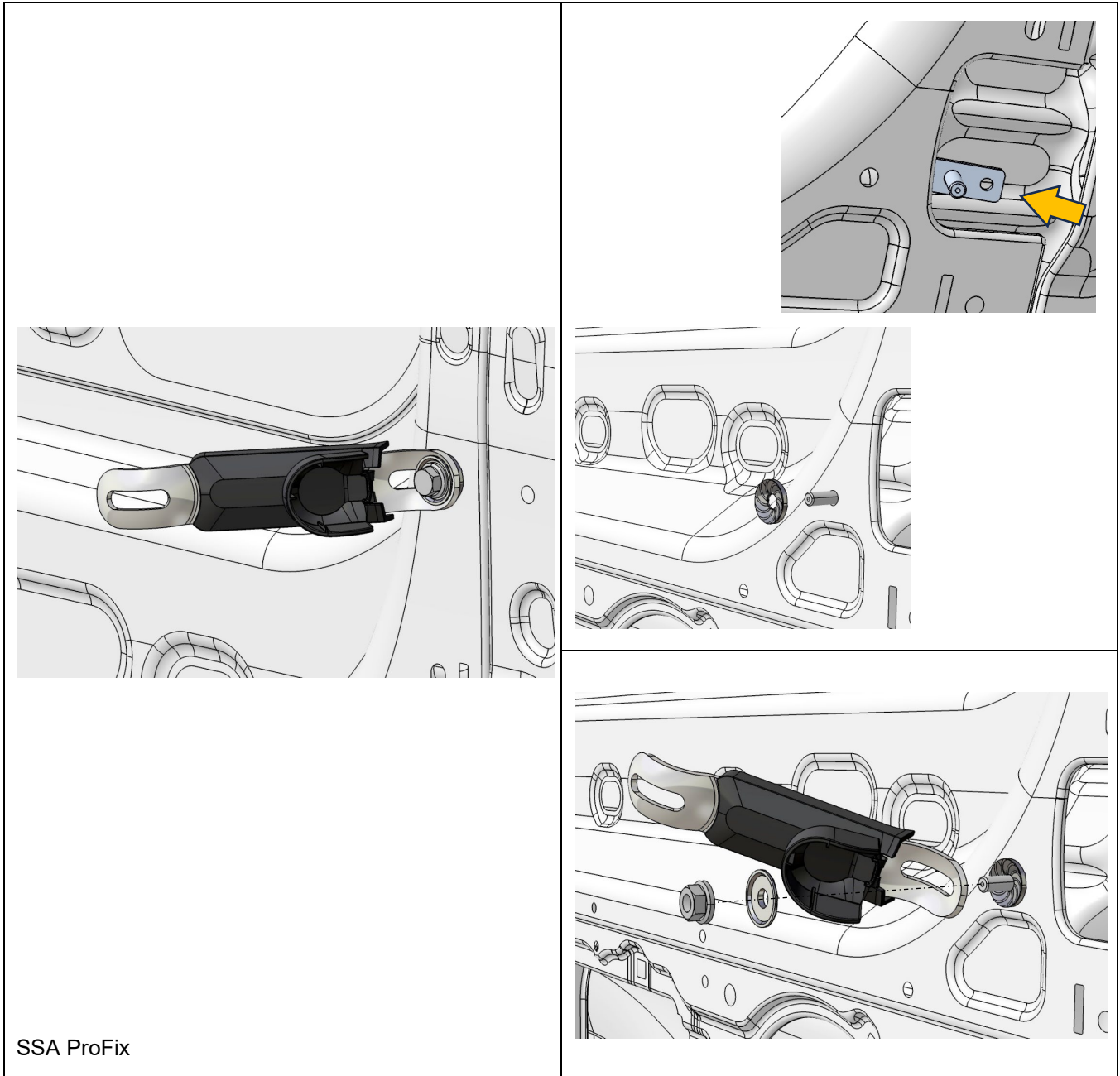
Blind rivet nut



Important!

Material damage to the vehicle by drilling.
Please refer to the "Fixing information!" section

Fastening plate




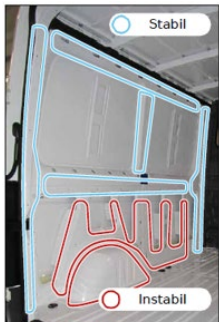
SSA ProFix



Important!

Material damage to the vehicle by drilling.
Please refer to the "Fixing information!" section

Fixing information

	Important!
<p>Damage to vehicle due to drilling: components within the vehicle wall could be damaged.</p> <ul style="list-style-type: none"> - Pay attention to components within the vehicle wall, such as lines, etc. - Use a drill sleeve. - Pay attention to the manufacturer's set-up guidelines. - Only attach to suitable locations. - Do not attach to an unstable intermediate support or wheel housing. 	
	

Attaching ProFix brackets to the wall of the vehicle:

- There are two options for attaching ProFix brackets to the wall of the vehicle:
 - a, Blind rivet nut,
 - b, Fastening plate.

Rule: If possible, attaching them using a fastening plate is preferable to attaching them with blind rivet nuts.

Note:

- Blind rivet nut M8 x 29, screw M8 x 20
- Requires a Ø 11.2 mm through hole.
- Use the existing through hole on the vehicle body (original hole) or drill a new through hole.

Step 1 – Preparing ProFix

- Find a suitable position.
- Use a suitable pen to mark the position on the van racking system and on the vehicle wall.

Step 2 – Preparing the vehicle wall

- Prepare the attachment points on the vehicle wall.
- Repeat these steps until all the attachment points have been prepared.
- If a side wall cladding is to be installed in the vehicle, the attachment points should be transferred to the side wall cladding.
- Install the prepared side wall cladding in the vehicle.

Step 3 – Attaching the van racking system to the vehicle wall

- Attach the ProFix brackets to the van racking system and to the wall of the vehicle.
- Align the van racking system.
- Tighten the screw fixing to the specified torque.

Step 4 – Attaching safety labels

- Attach safety labels to the partition in the cargo area so that they are clearly visible.
- Note: KU1014727



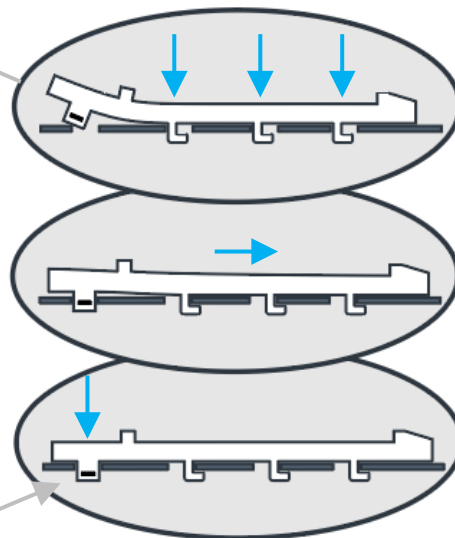
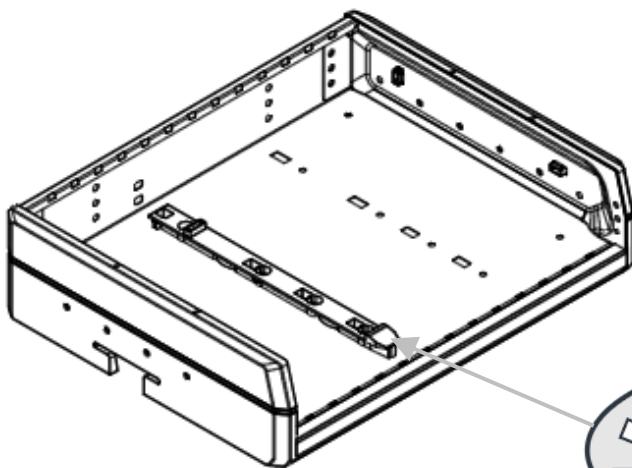
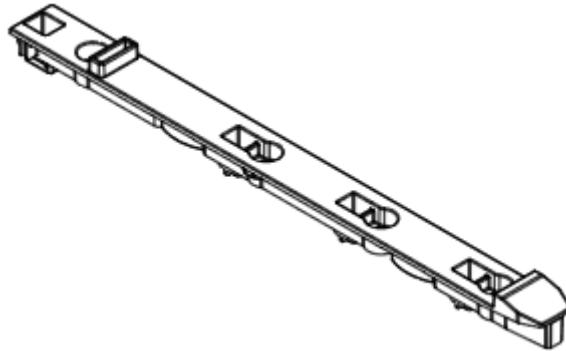
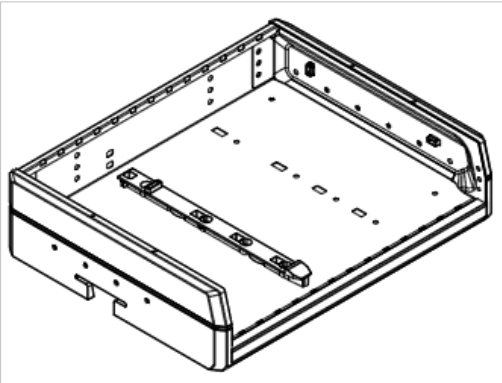
Mounting accessories

Plastic slide at top

6000011582

6000011583

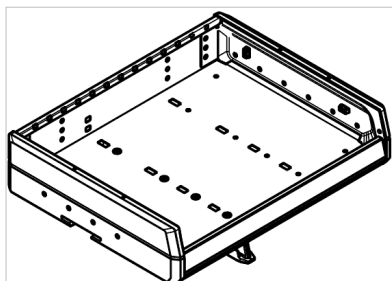
6000011584



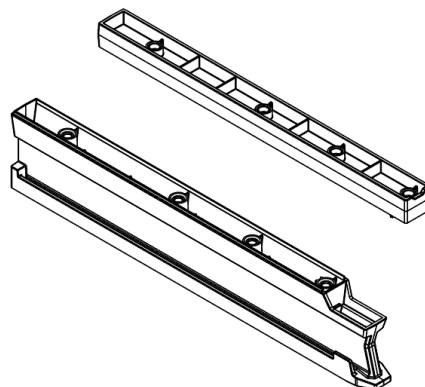
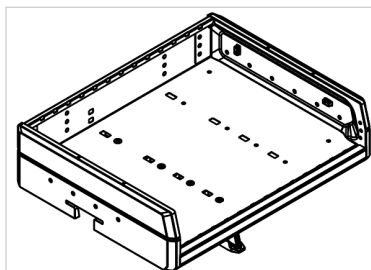
Click

Plastic slide at bottom

A, 1000012239
1000012241



B, 1000012238
1000012240



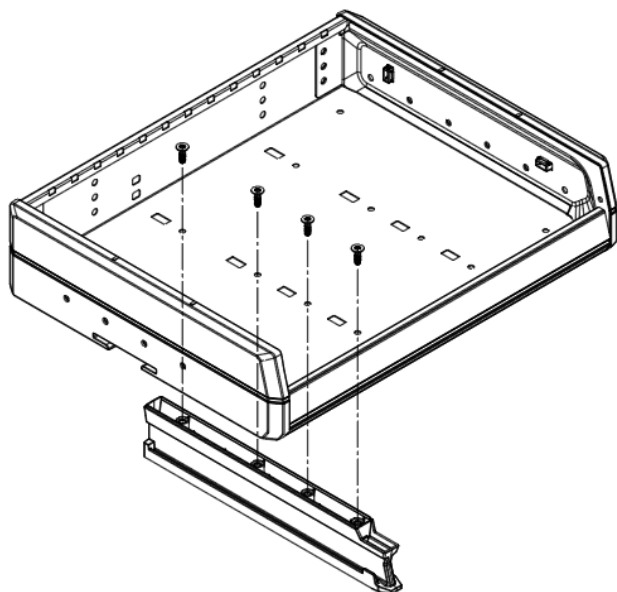
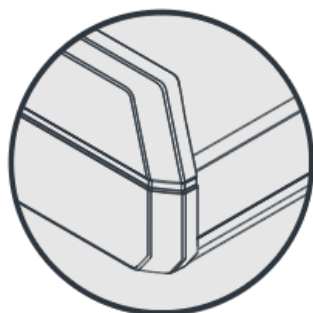
M6x18
7 Nm



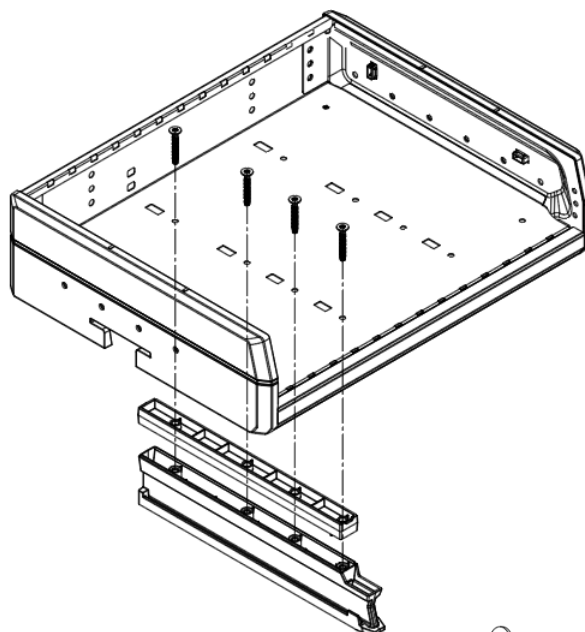
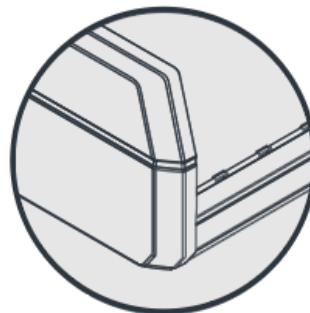
M6x38
7 Nm



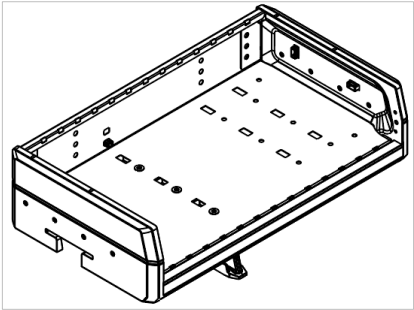
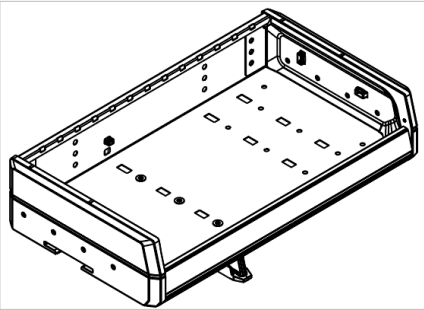
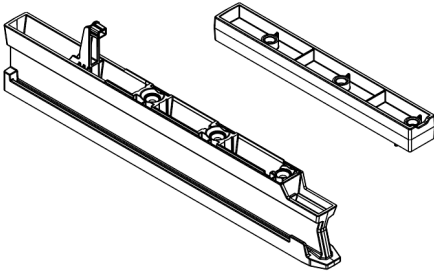


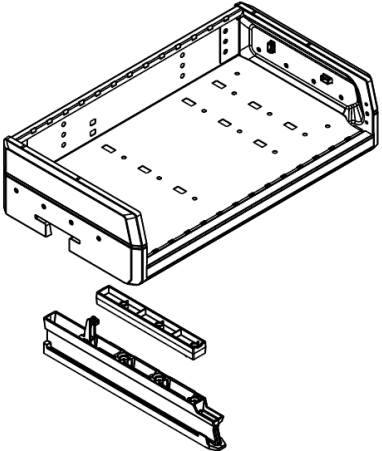
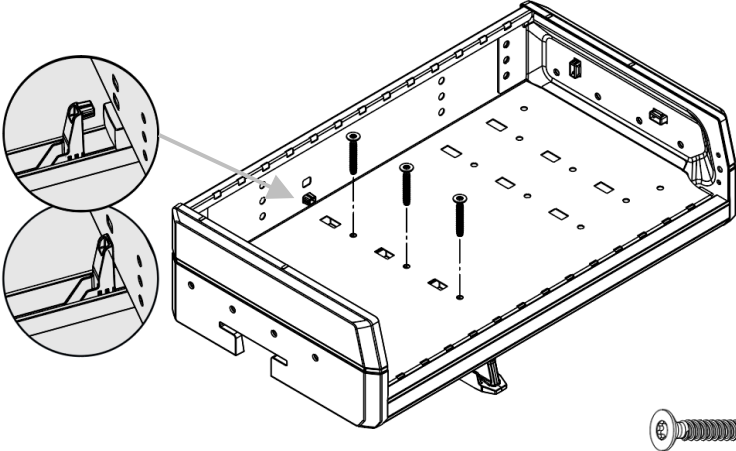

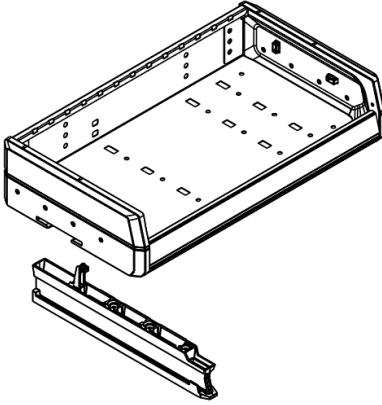
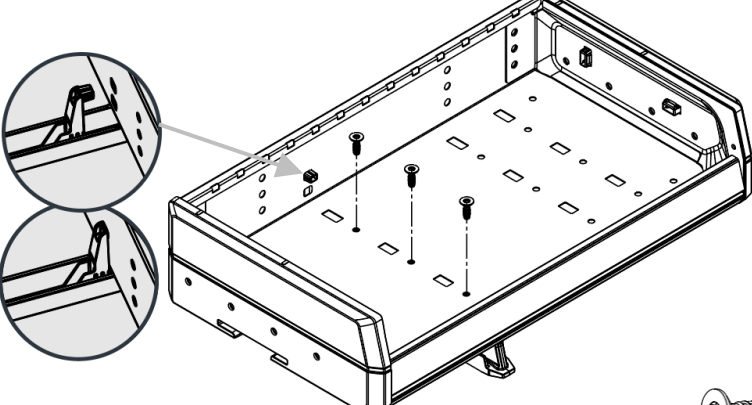

A



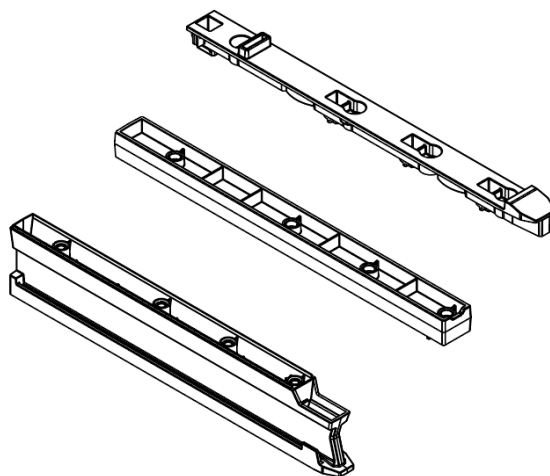
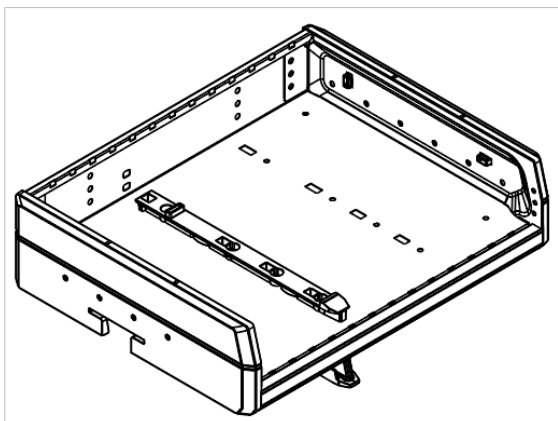
B



Plastic slide at bottom 04-0 FB03

<p>A,</p> 	<p>B,</p> 	
<p>M6x18 7 Nm</p> 	<p>M6x38 7 Nm</p> 	
<p>A1</p> 	<p>A2</p>  	
<p>B1</p> 	<p>B2</p>  	

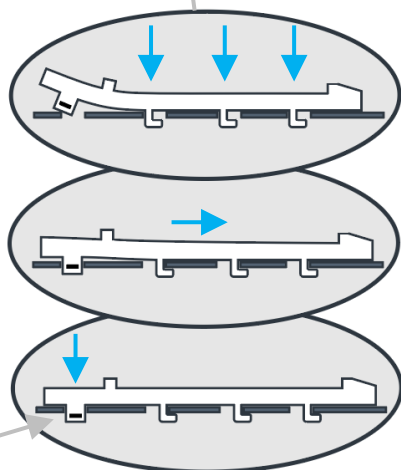
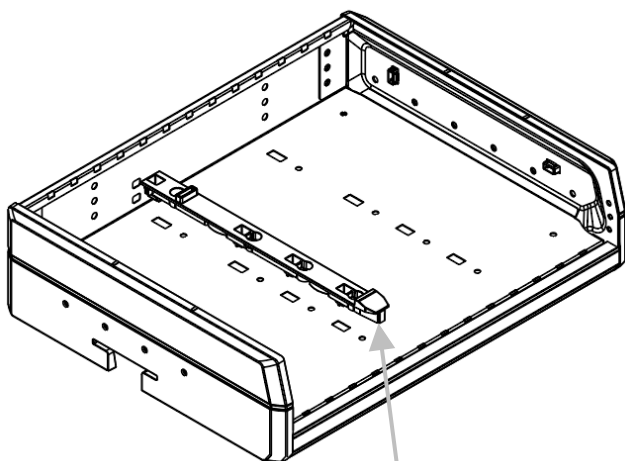
Plastic slide at bottom and top



M6x38
4.5 Nm

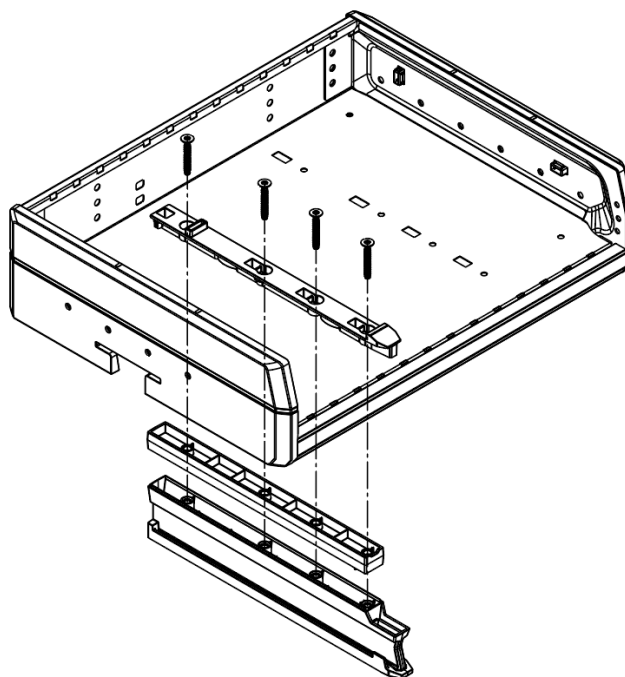


1

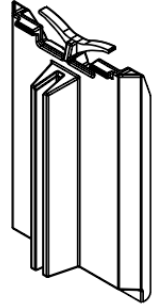
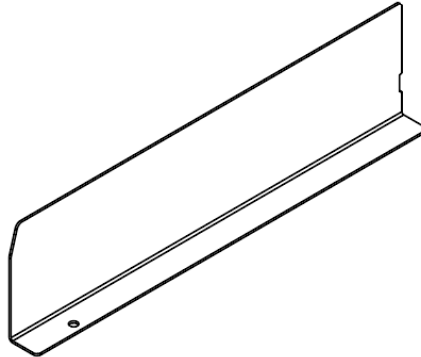
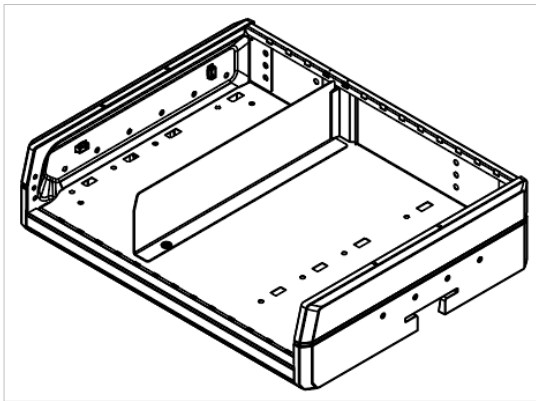


Click

2



Divider for shelf



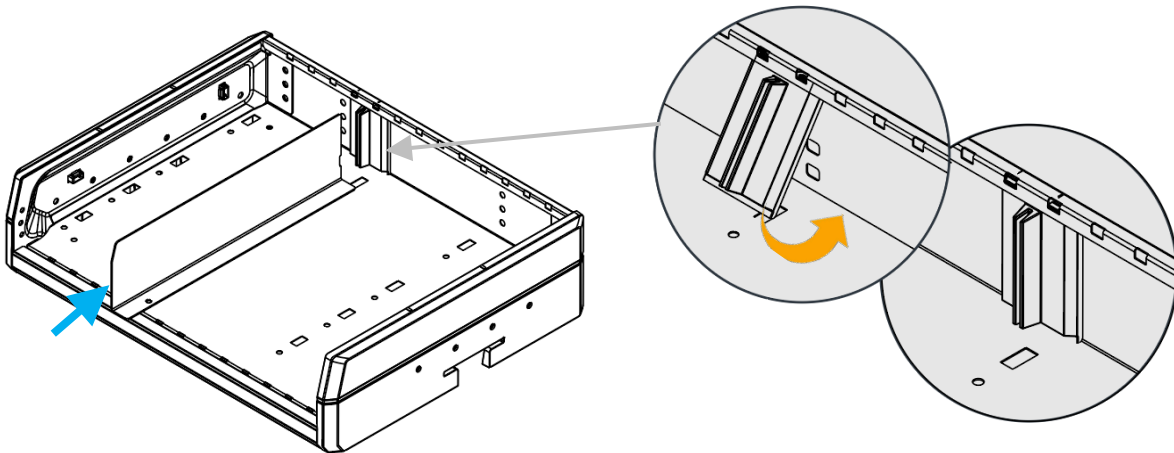
M5x12
4 Nm



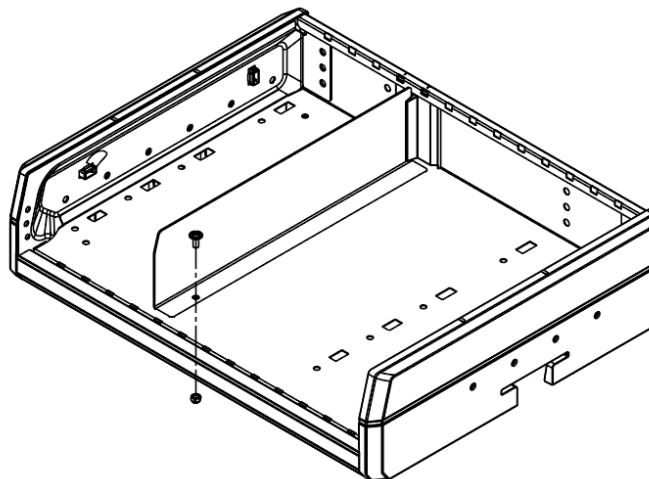
M5



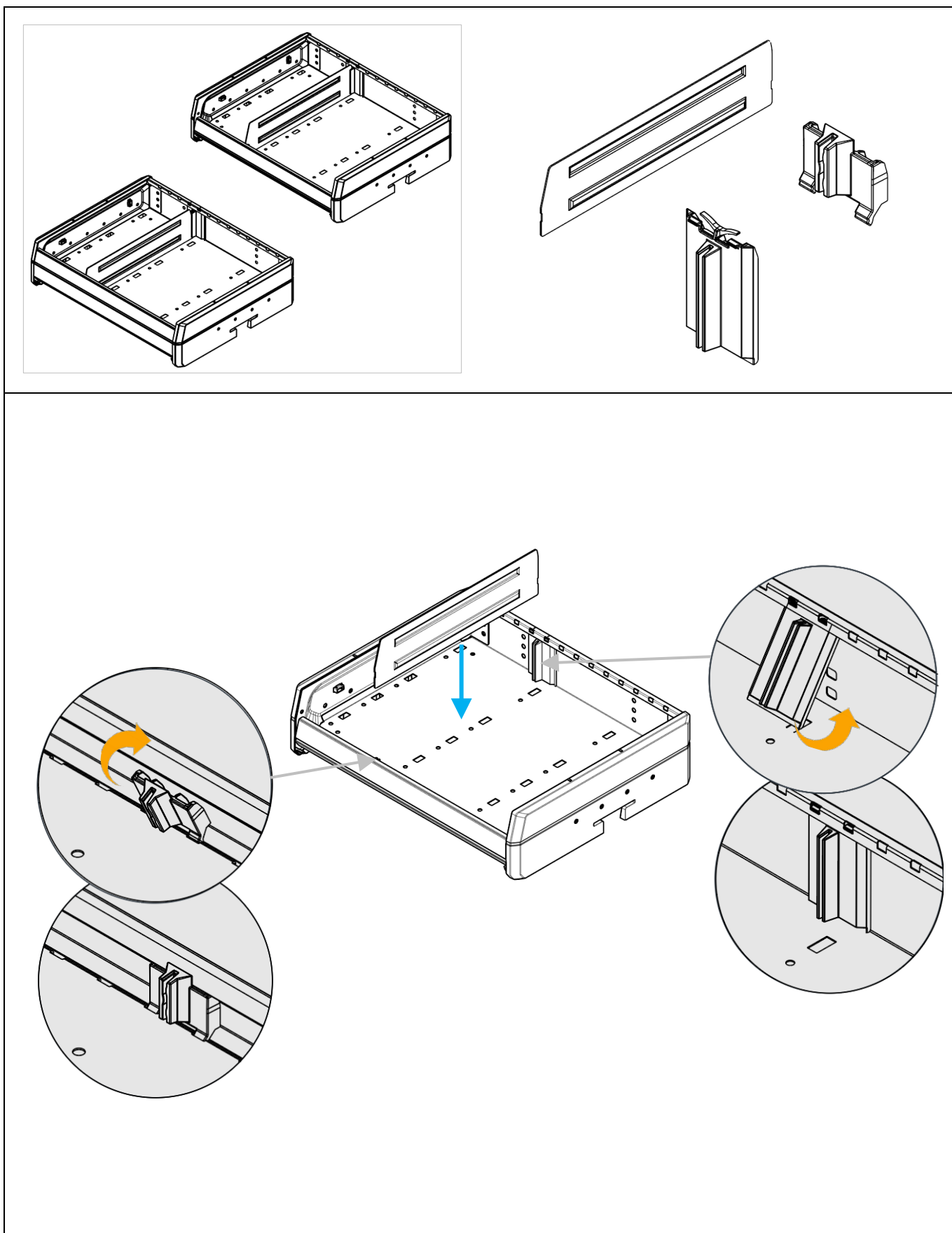
1



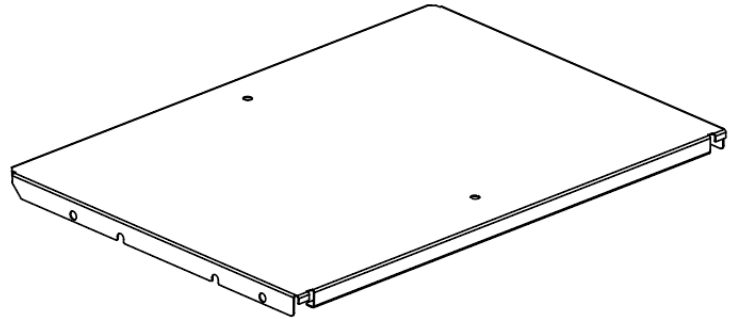
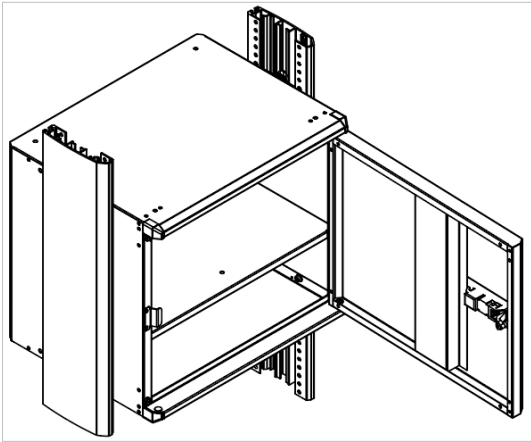
2



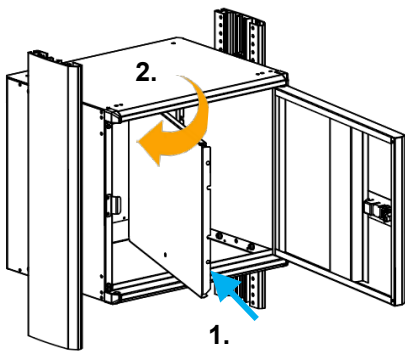
Divider for shelf with edge



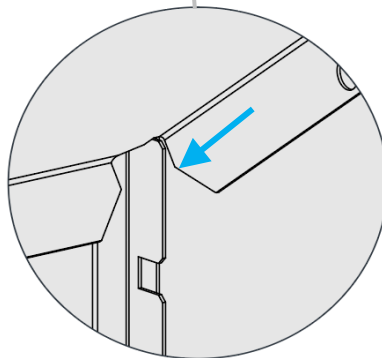
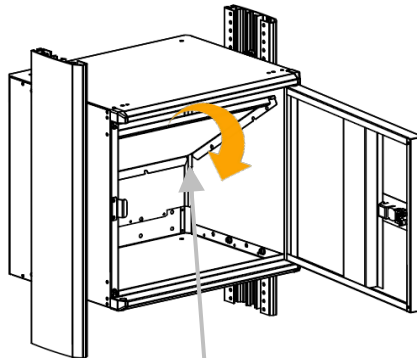
Universal cabinet shelf



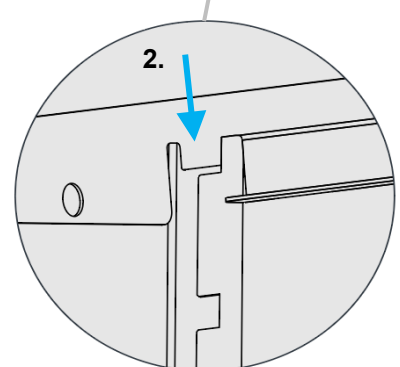
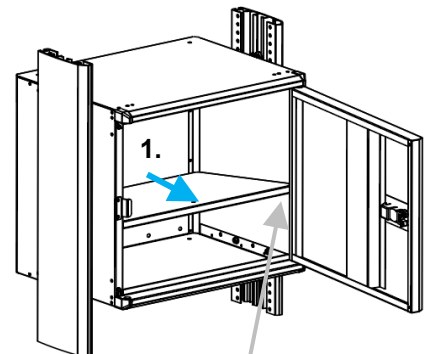
1



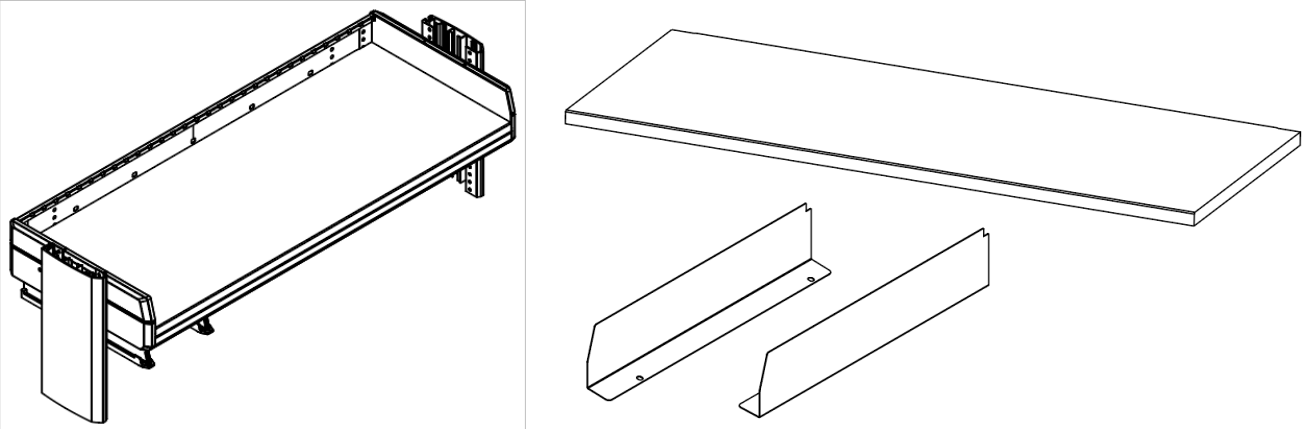


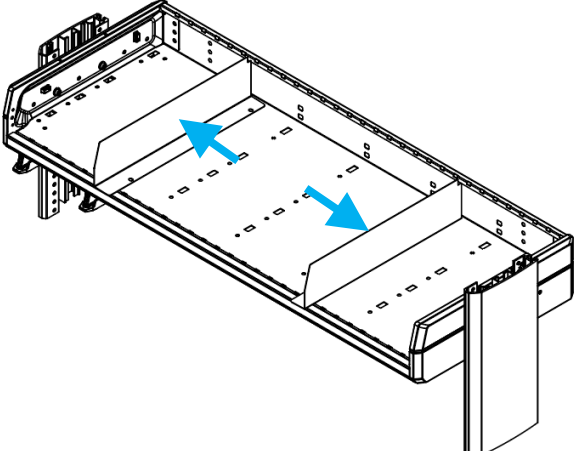
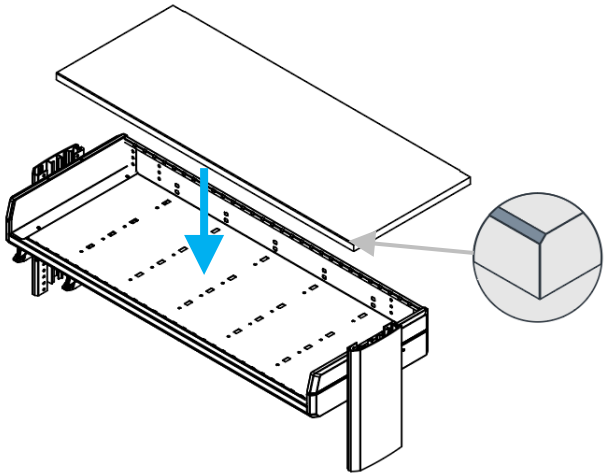
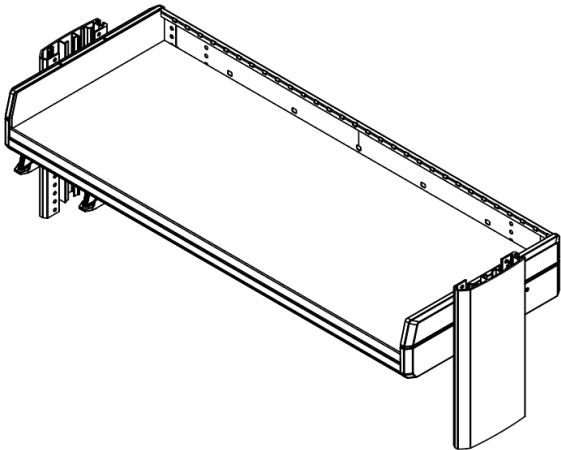
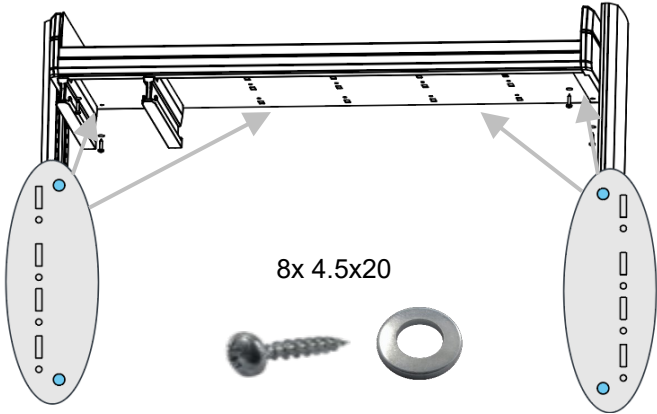
2



3

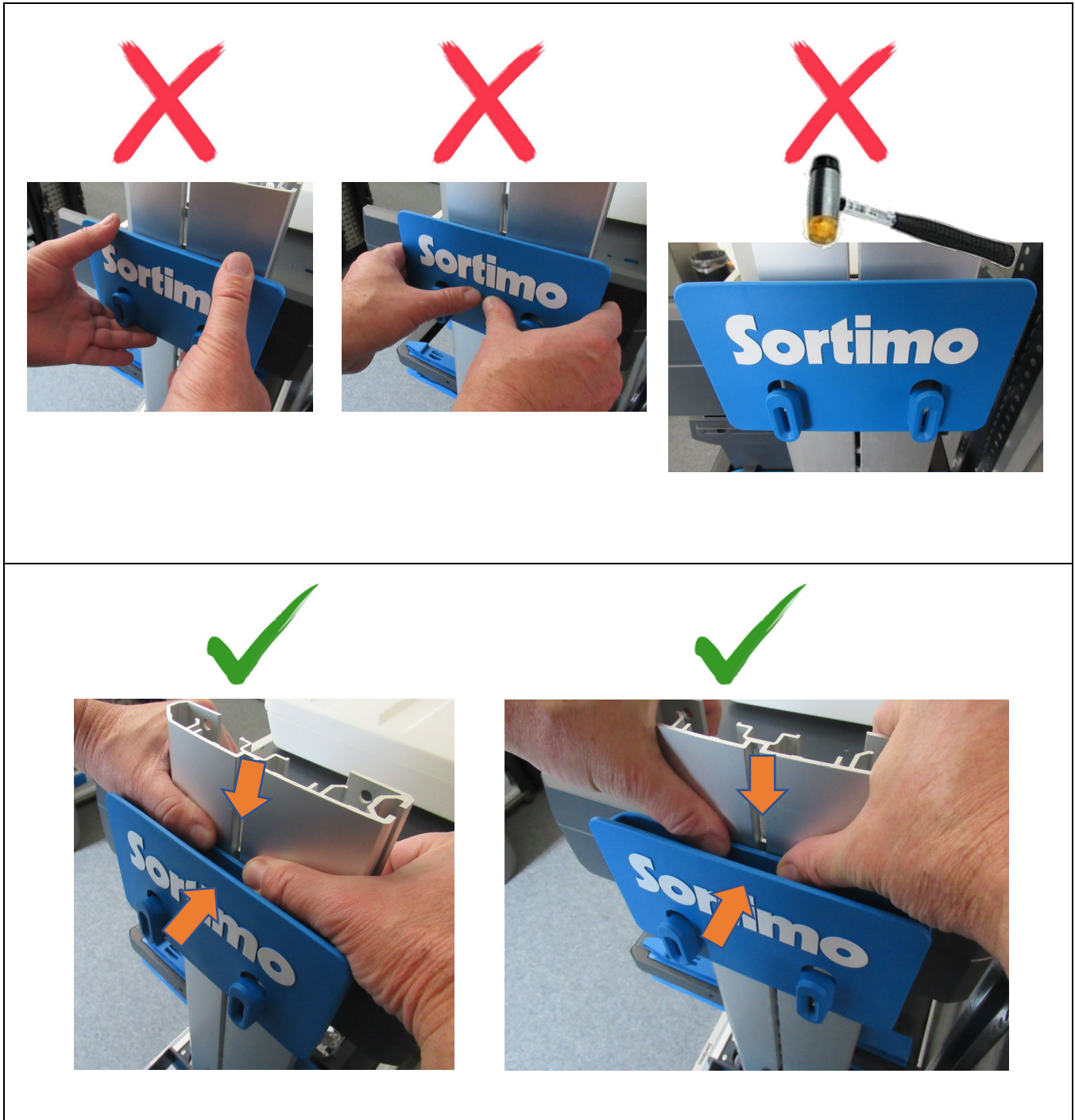


Worktop shelf

		
<p>M4.5x20</p> 	<p>Ø 5.3</p> 	
<p>1</p> 	<p>2</p> 	
<p>3</p> 	<p>4</p>  <p>8x 4.5x20</p>	

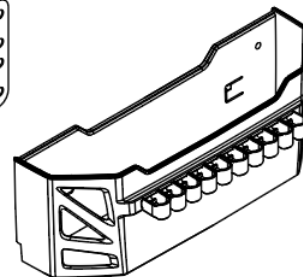
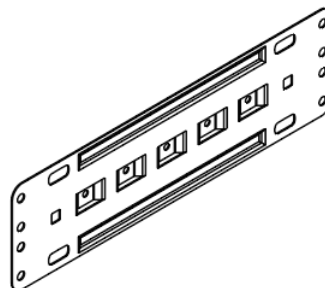
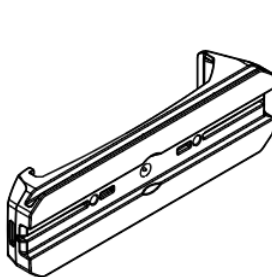
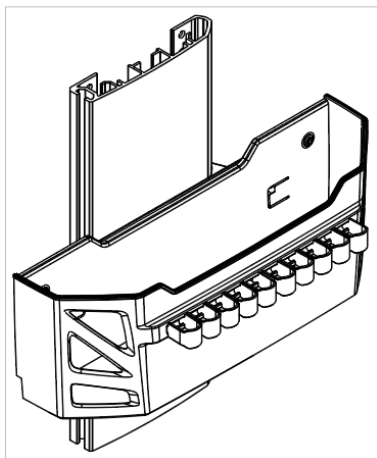
Installing side profile accessories

Logo carrier



Storage pocket

1000012211



M4.8x25
4.5 Nm



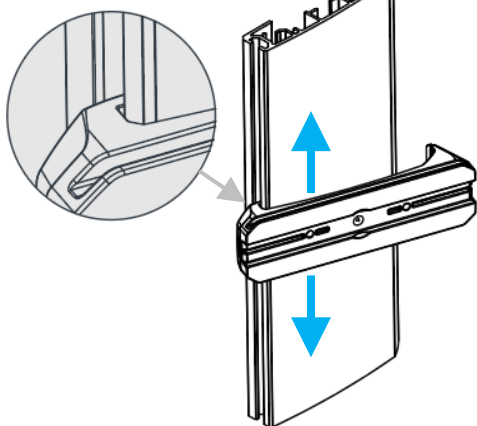
M6x16
7.5 Nm



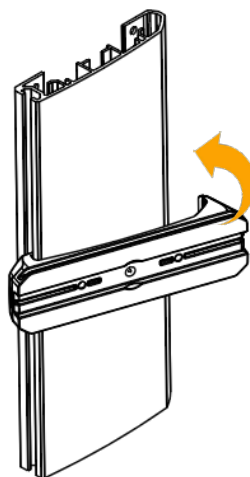
M6



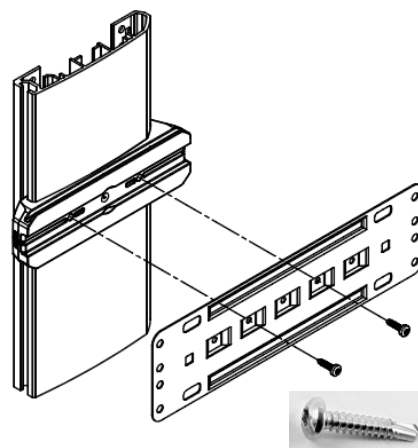
1



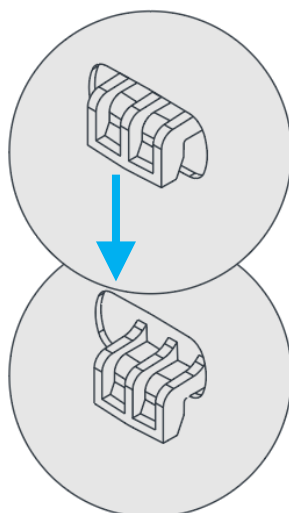
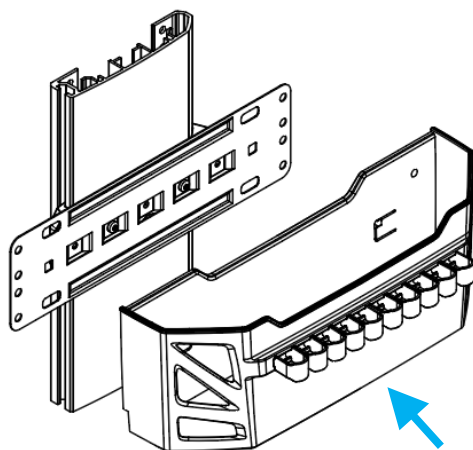
2



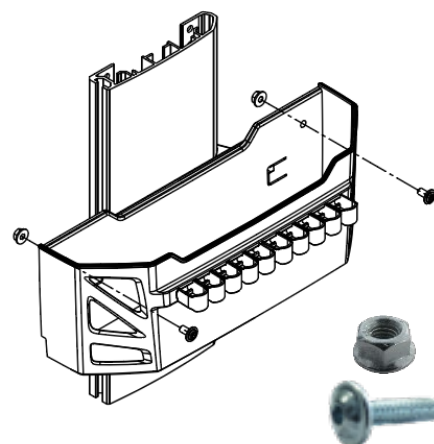
3



4

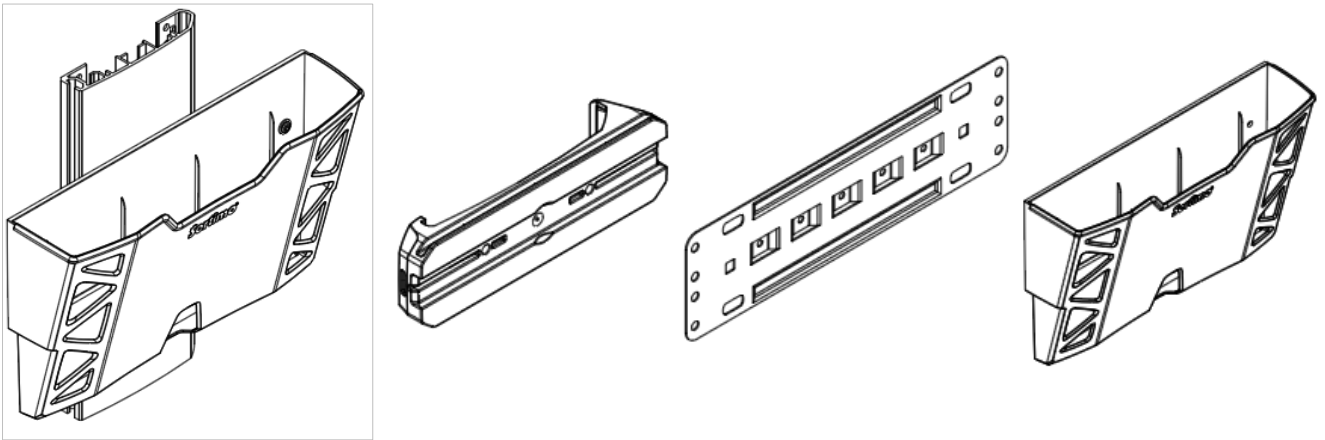


5



Storage pocket for paperwork

1000012208



M4.8x25
4.5 Nm



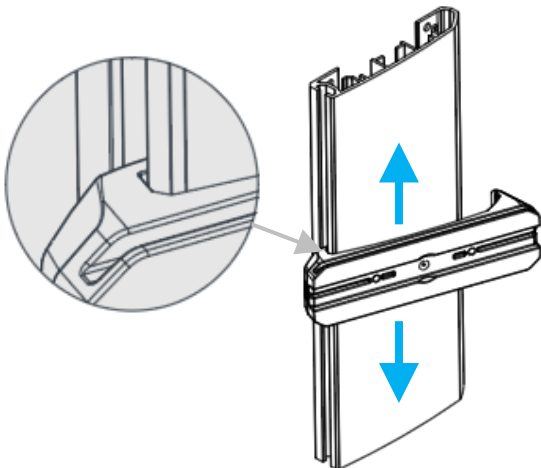
M6x16
7.5 Nm



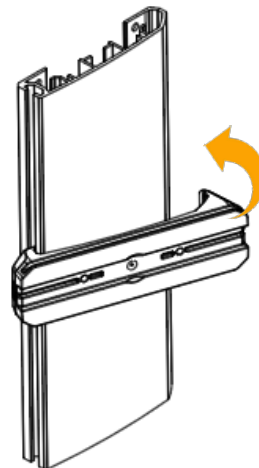
M6



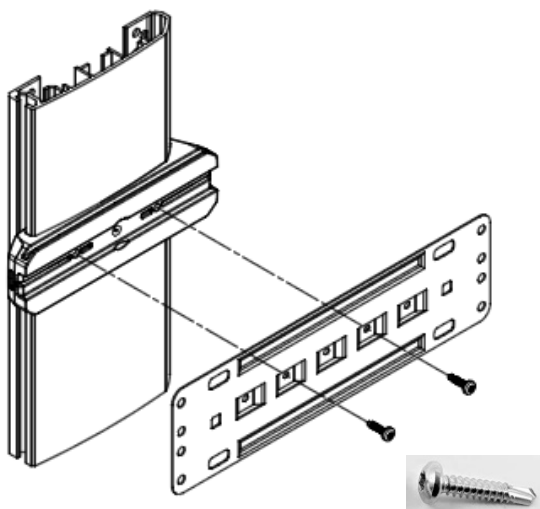
1



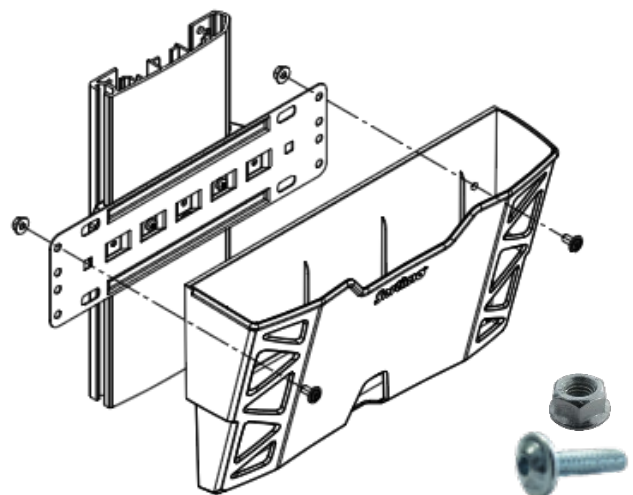
2



3



4

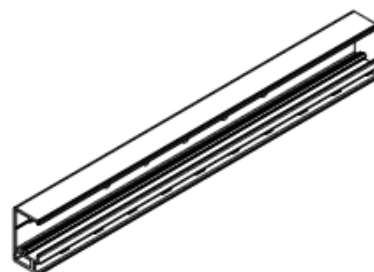
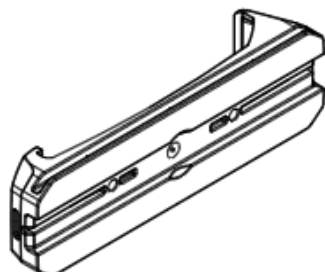
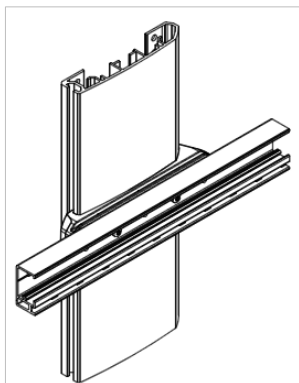


ProSafe lashing rail

1000012775

1000012209

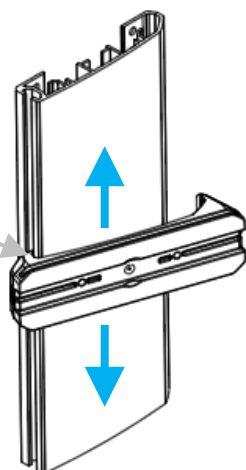
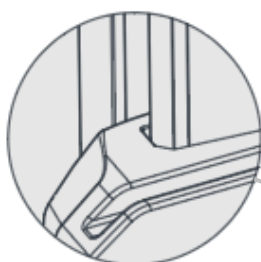
1000012756



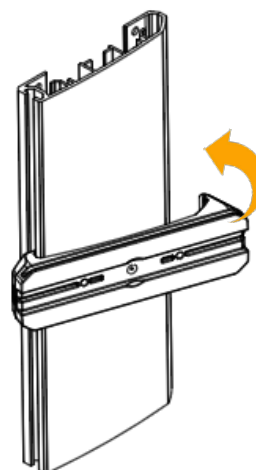
M4.8x32
4.5 Nm



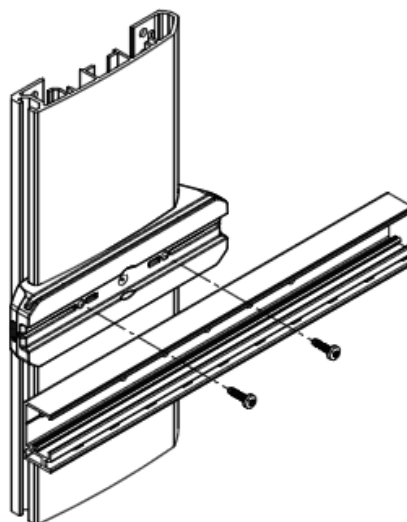
1



2

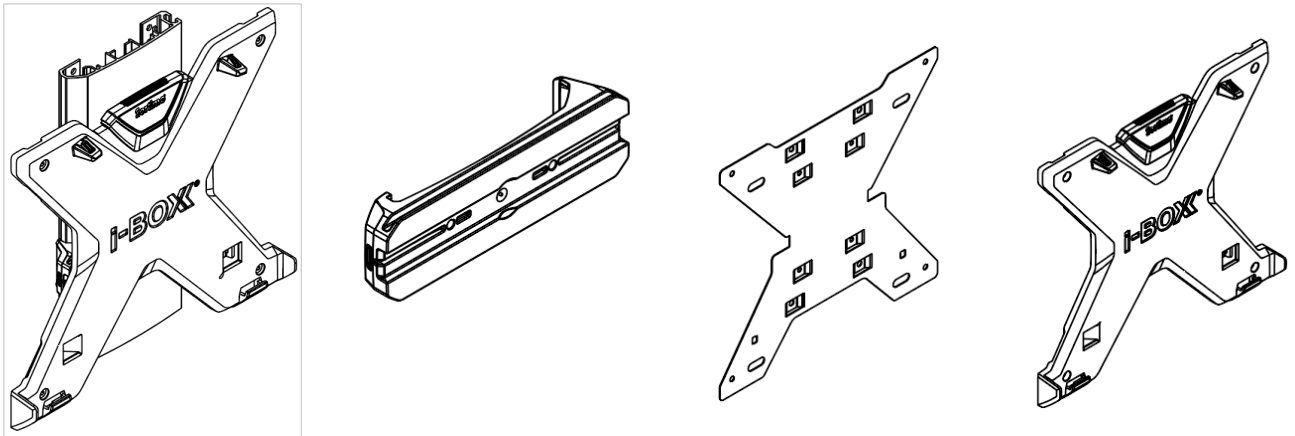


3



i-BOXX wall holder

1000012904



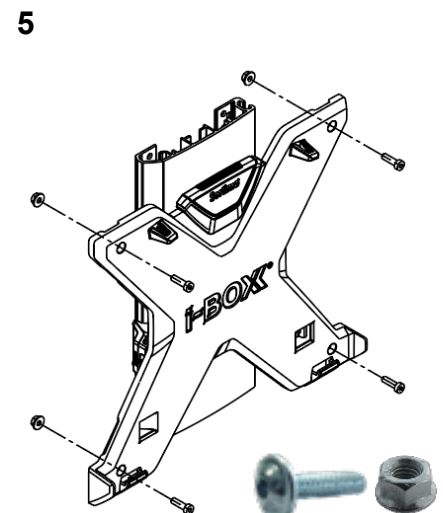
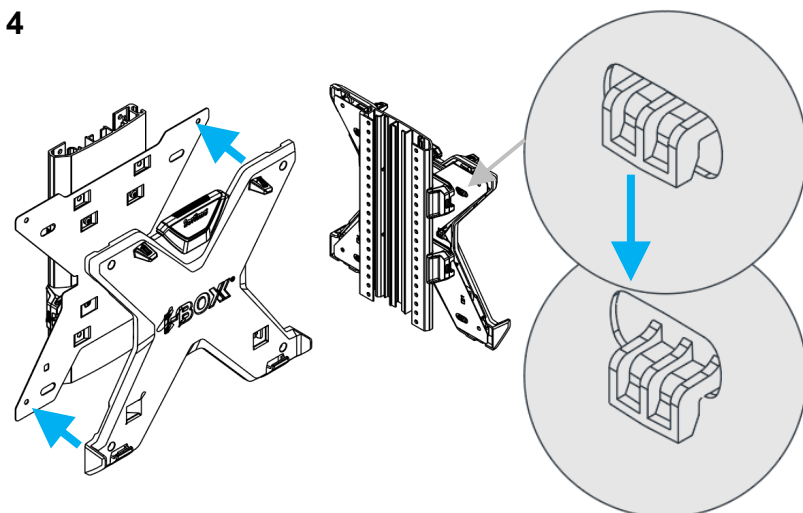
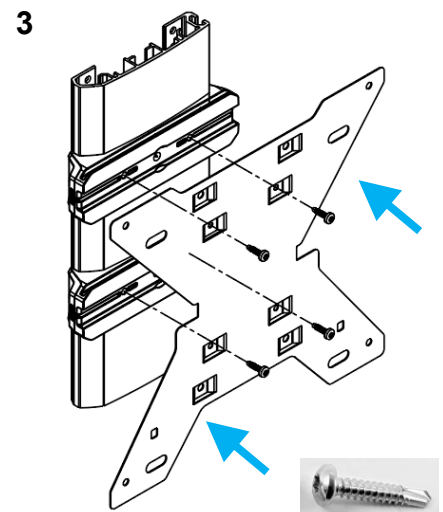
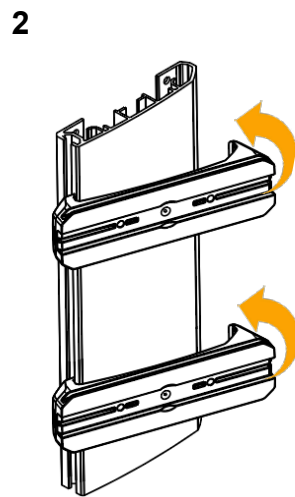
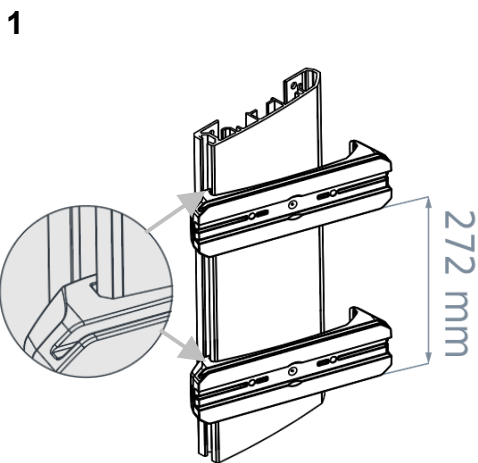
M4.8x25
4.5 Nm



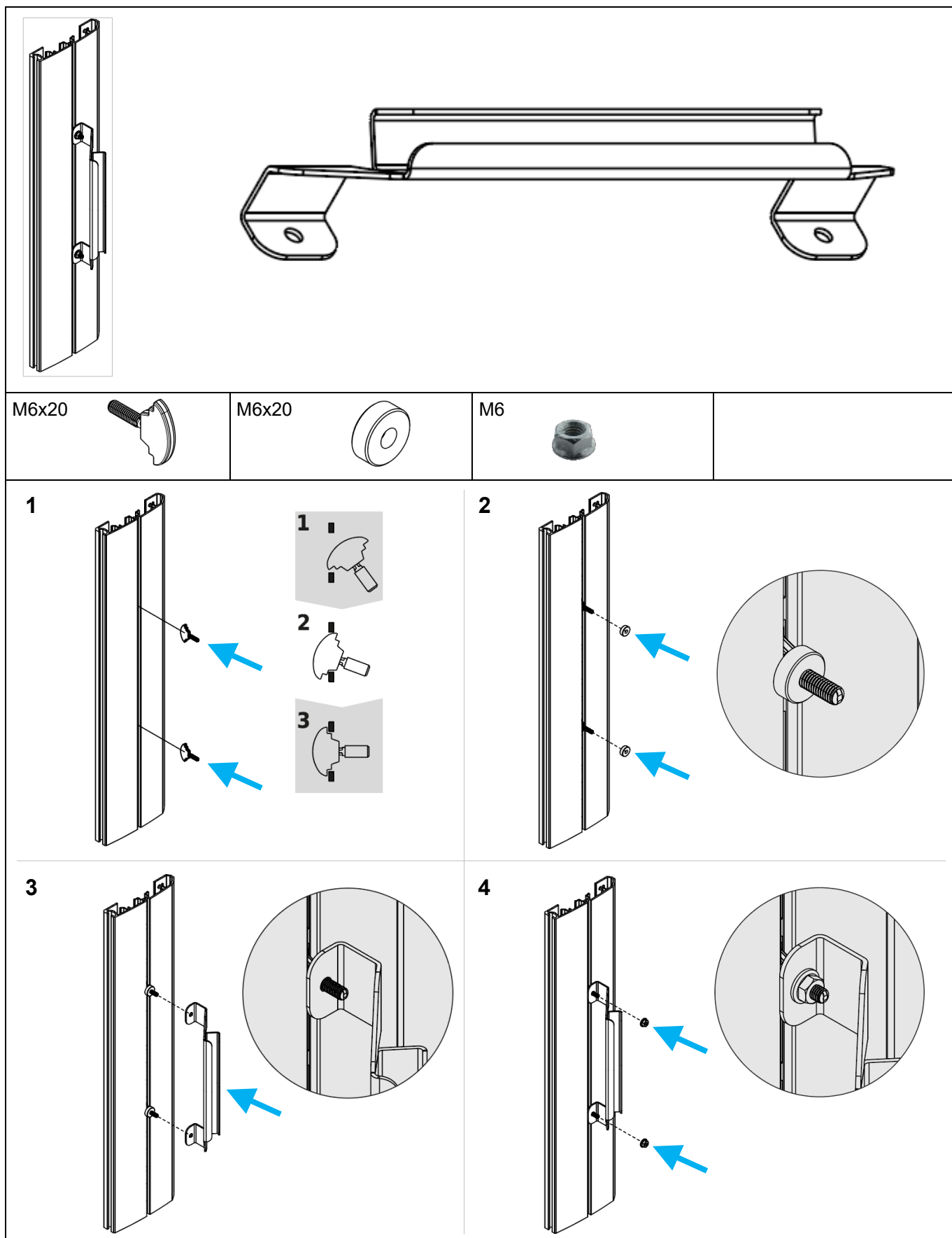
M6x20
7.5 Nm



M6



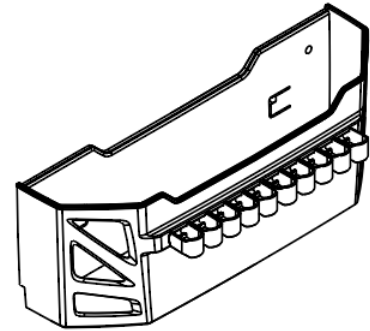
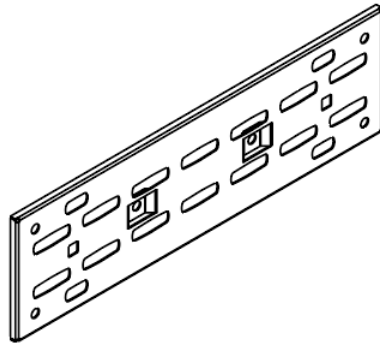
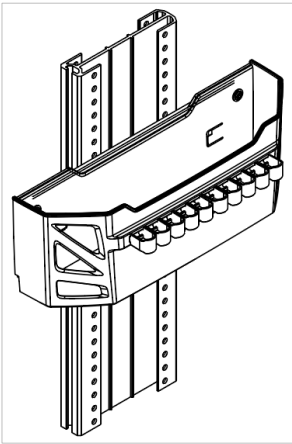
Grab handle



Installing intermediate profile accessories

Storage pocket

1000013544



M6x12
7.5 Nm



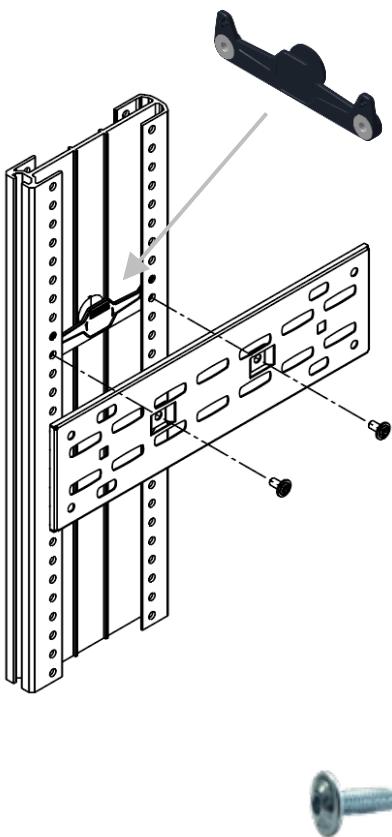
M6x16
7.5 Nm



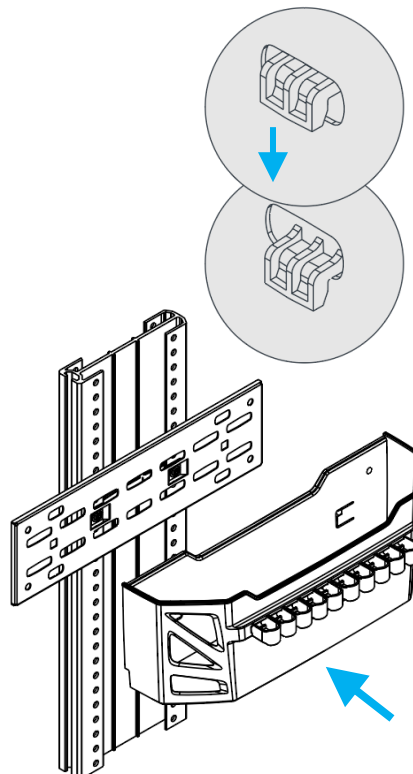
M6



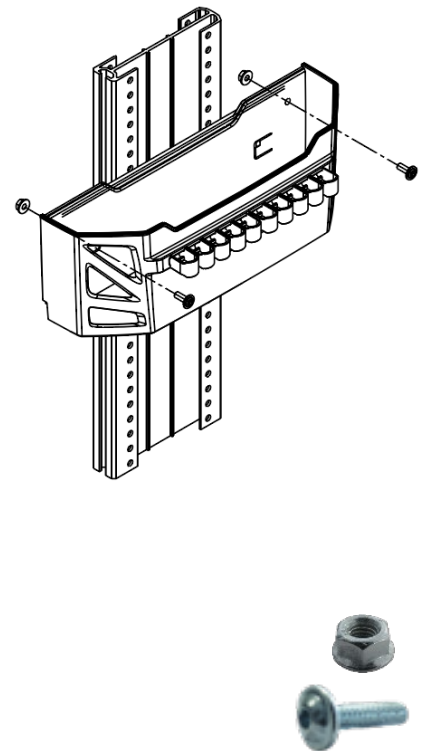
1



2

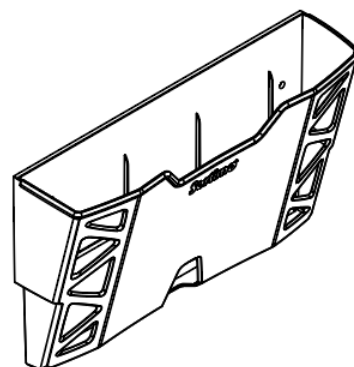
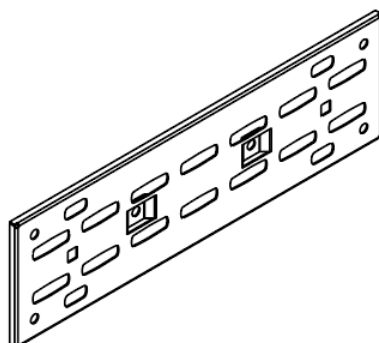
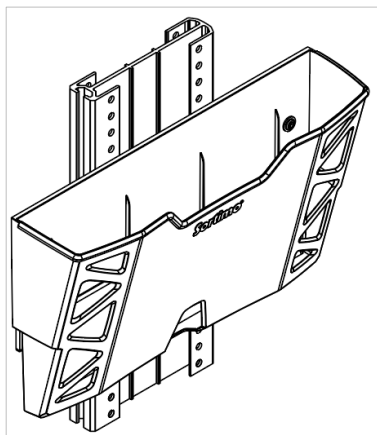


3



Storage pocket for paperwork

1000013661



M6x12
7.5 Nm



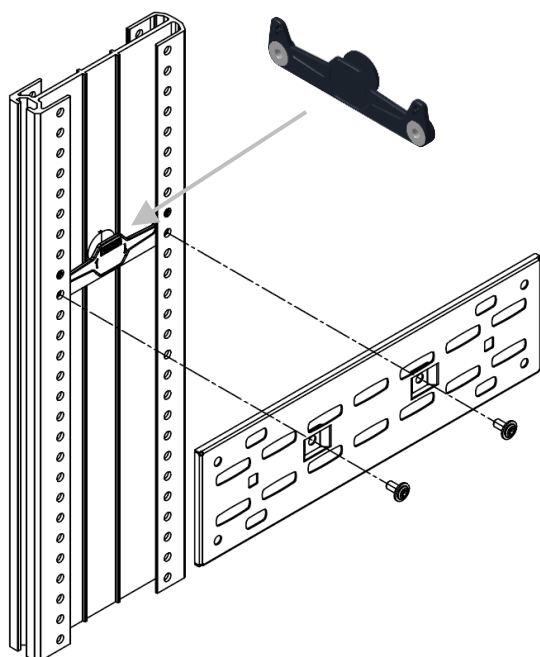
M6x16
7.5 Nm



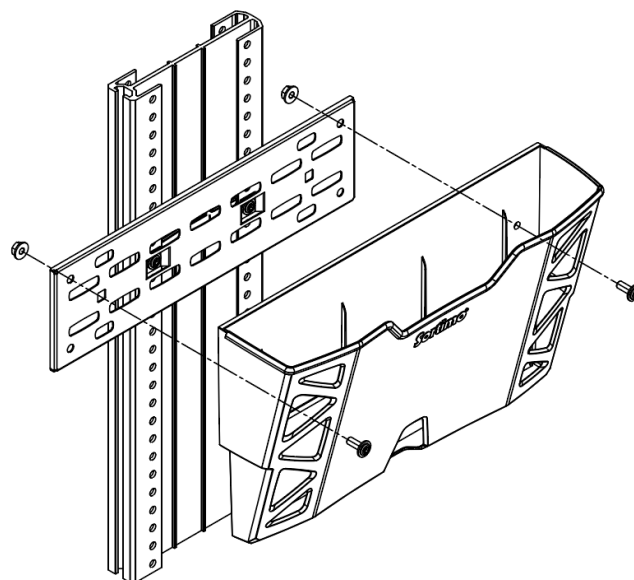
M6



1

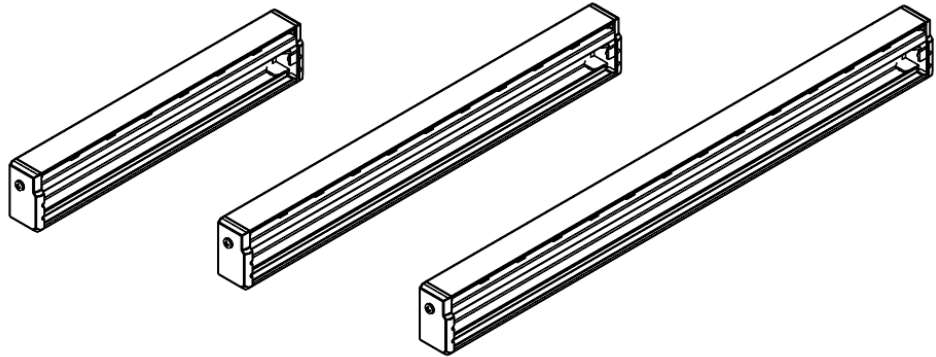
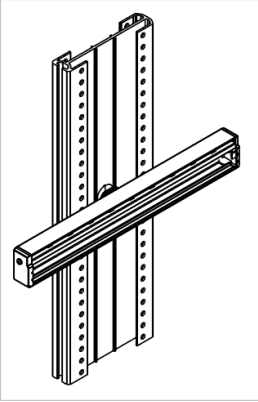


2

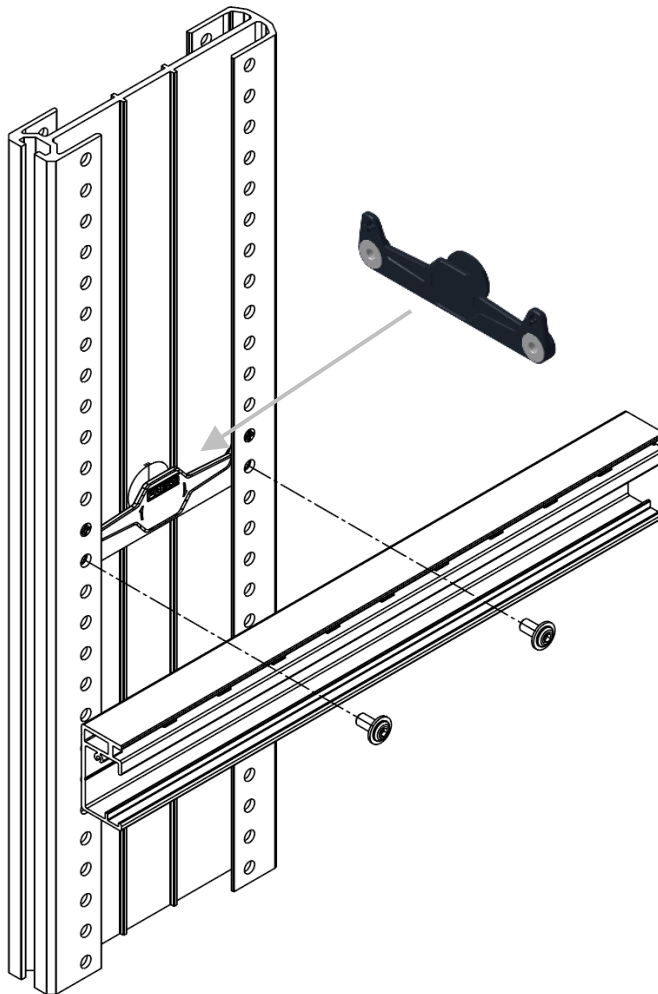


ProSafe lashing rail

1000013670
1000013671
1000013672

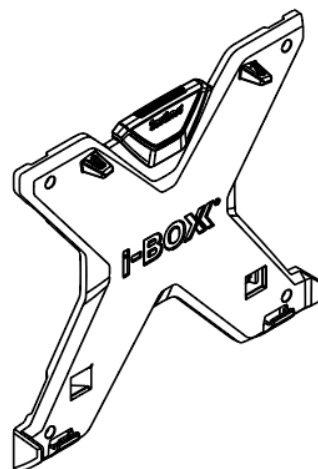
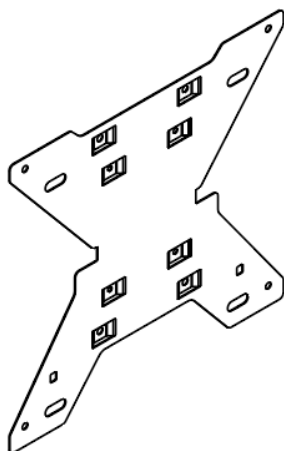
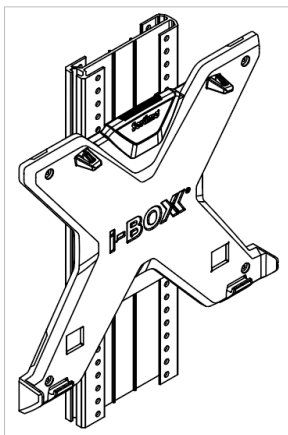


M6x12
7.5 Nm



i-BOXX wall holder

1000013673



M6x12
7.5 Nm



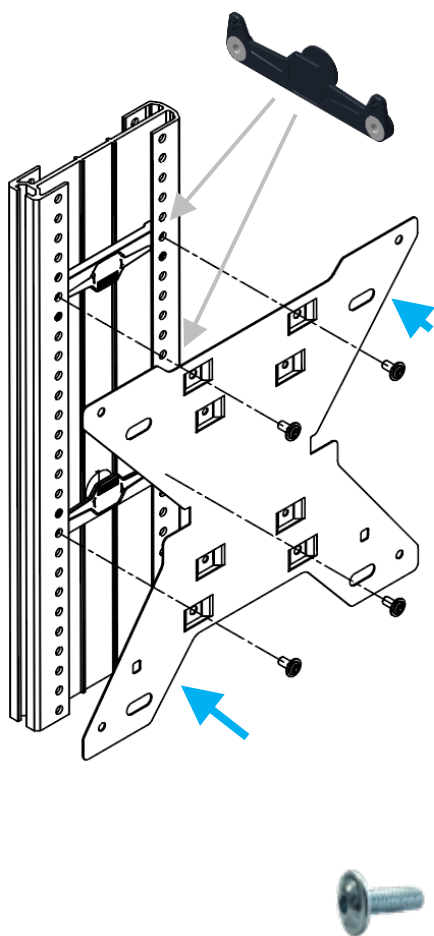
M6x20
7.5 Nm



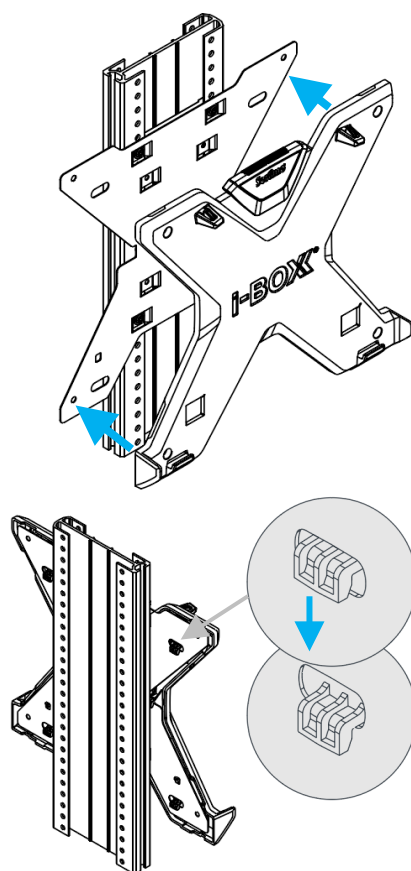
M6



1



2



3

